

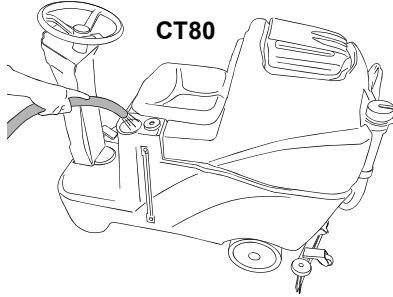
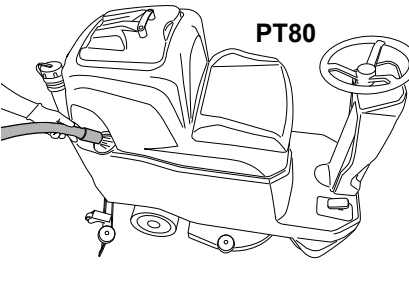


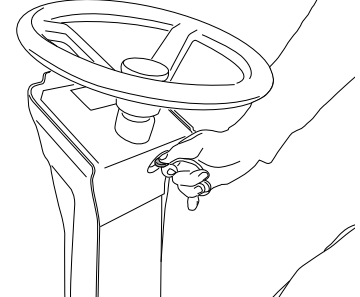
CT80 Quick guide

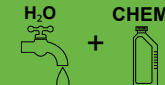



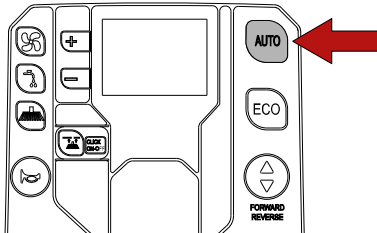
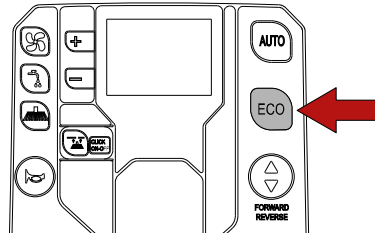
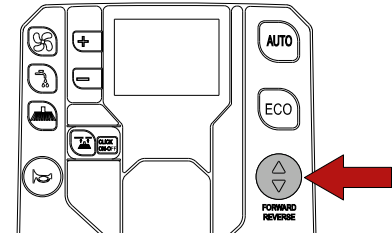
This guide is intended for quick consultation only and does not replace the user and maintenance manual. Before using the machine, read the user and maintenance manual contained in the machine's packaging thoroughly and strictly follow all the instructions.




PREPARATION & OPERATION

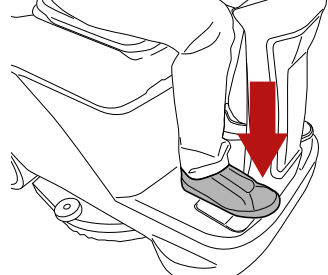
1  **CT80**  **PT80**

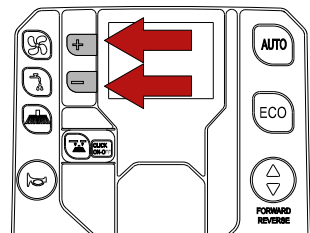
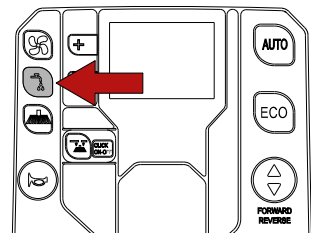
2 



 | 

3  **4**  **4** 

 **AUTO** |  **ECO** | 

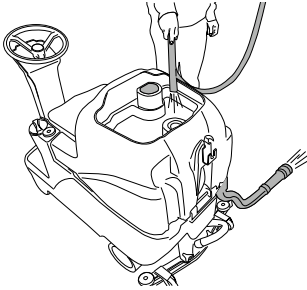
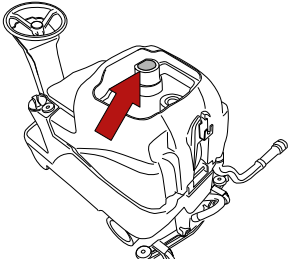
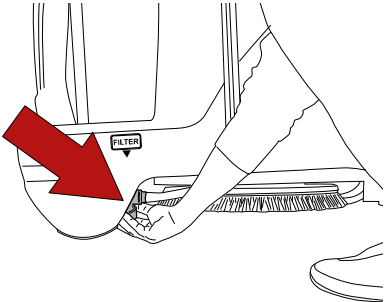
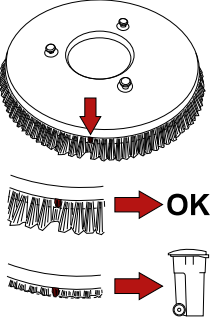
5 

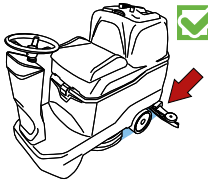
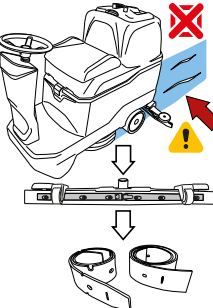
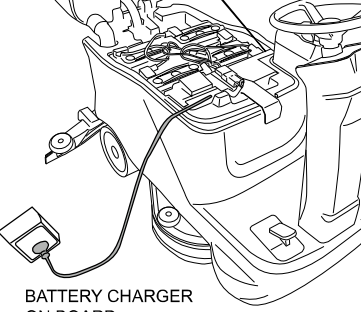
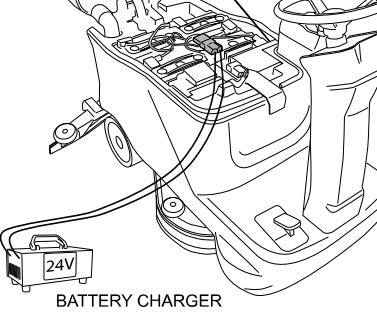
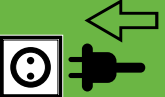
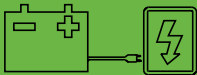
6  

 | 

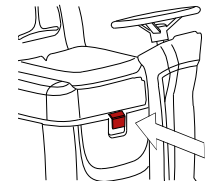


DAILY MAINTENANCE

			
<p>Clean the dirty water tank.</p>	<p>Check the suction filter is undamaged and clean.</p>	<p>Check that the detergent outlet filter is clean.</p>	<p>Check that the brushes are clean. Replace if necessary.</p>

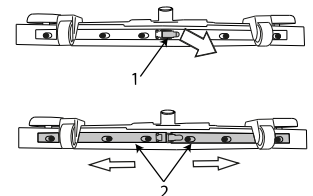
			
<p>Check that the squeegee is clean and the blades are not worn.</p>			

PERIOD OF INACTIVITY: When the machine is not used for more than seven calendar days disconnect the batteries from the machine by pushing the lever as indicated in the picture.



REPLACING THE SQUEEGEE BLADES

Open the clip (Ref. 1).
 Remove the two blade retainers (Ref. 2) by pushing them outwards then extracting them.
 Remove the blade.
 Reuse the same blade by reversing the edge in contact with the floor until all four edges are worn out, or replace with a new blade, fitting it onto the screws on the body of the squeegee.
 Reposition the two blade pressing devices by centering the wider part of the slots on the squeegee body fastening pins, then push the blade pressing devices inwards.
 Close the hook again.
 Replace the squeegee on its support, following the instructions described previously.



ATTACHING/REMOVING THE BRUSHES

Position the brush underneath the head, in the centre (single-brush floor scrubber), position the brushes underneath the head on both sides (double brush scrubber), switch the machine on.
 Press the CLICK ON-OFF switch, once after starting the machine releases the brushes, pressing the button a second time activates automatic brush attachment. The button is only enabled when all the functions are deactivated (suction motor and brushes).

