



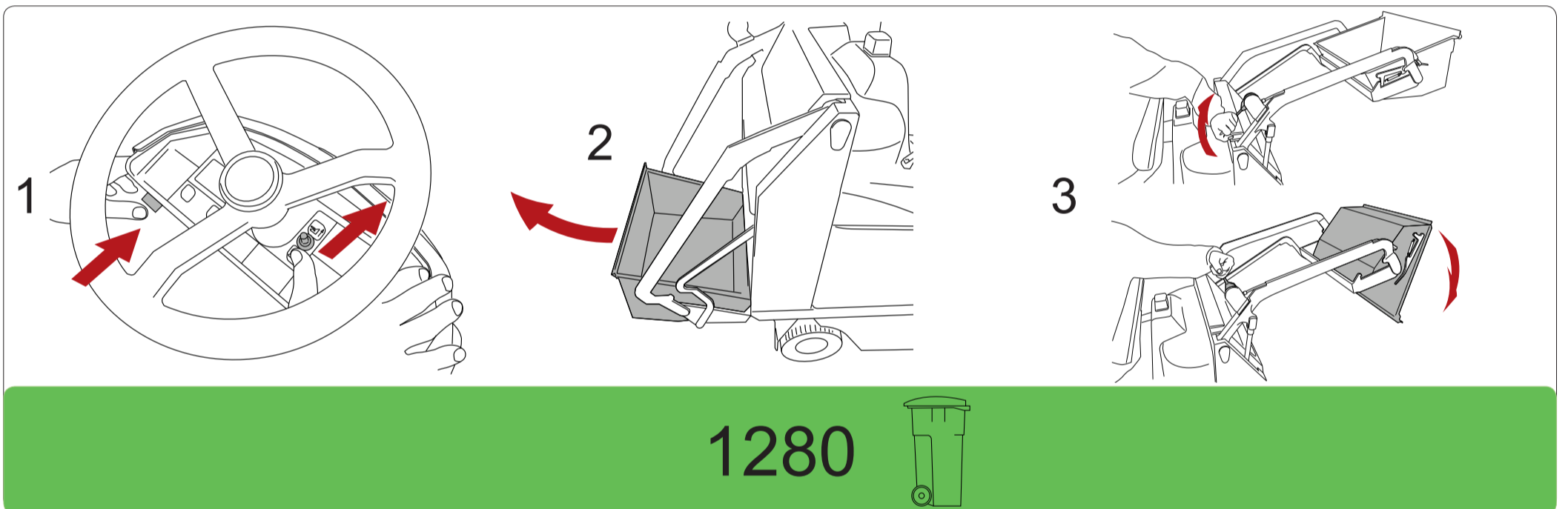
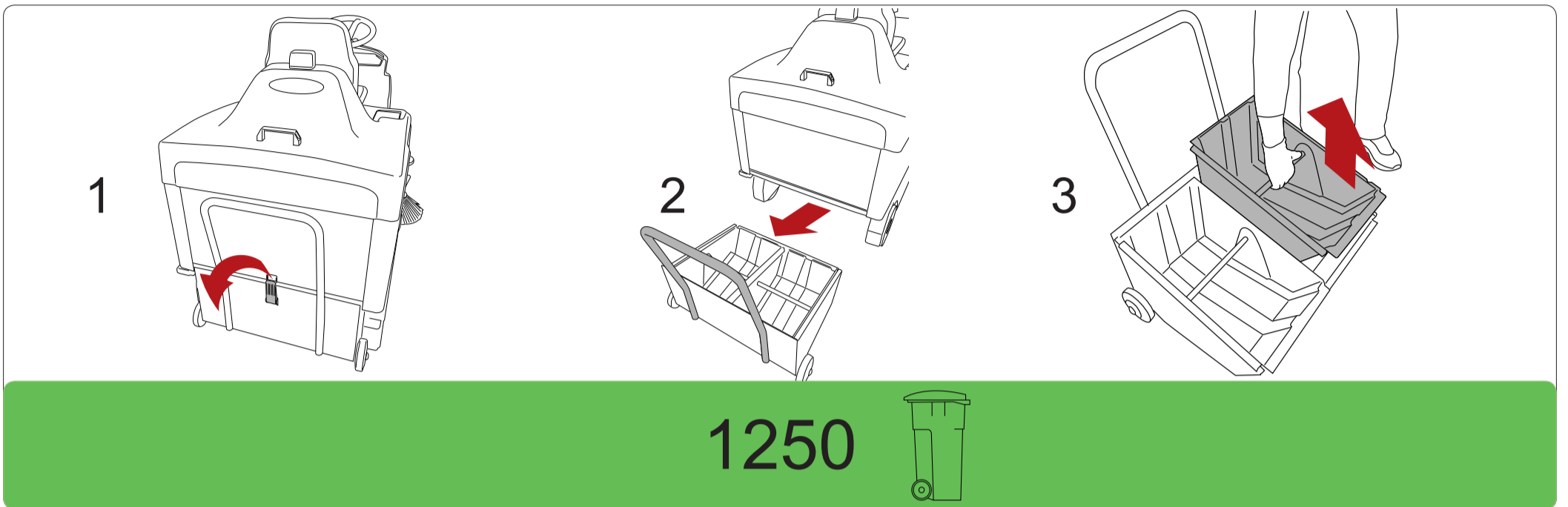
1250-1280 P/D Quick guide



This guide is intended for quick consultation only and does not replace the user and maintenance manual. Before using the machine, read the user and maintenance manual contained in the machine's packaging thoroughly and strictly follow all the instructions.

PREPARATION & OPERATION

<p>1</p> <p>Icon: A 'P' in a circle with a diagonal line through it, indicating Park mode.</p>	<p>2</p> <p>Icon: A lever with a diagonal line through it, indicating a specific gear or mode.</p>	<p>3</p> <p>Icon: An engine and a power button with "ON" written below it.</p>
<p>4</p> <p>Icon: A fan with three downward arrows, indicating airflow direction.</p>	<p>5</p> <p>Icon: A fan with a downward arrow and a brush-like structure below it.</p>	<p>6</p> <p>Icon: A four-bladed fan.</p>
<p>7</p> <p>Icon: A tractor moving to the left.</p>	<p>8</p> <p>Icon: A tractor moving to the right.</p>	<p>9</p> <p>Icon: A filter shaker with "FILTER SHAKER" text and a hand icon with "> 3'' indicating a 3-second duration.</p>



DAILY MAINTENANCE

