

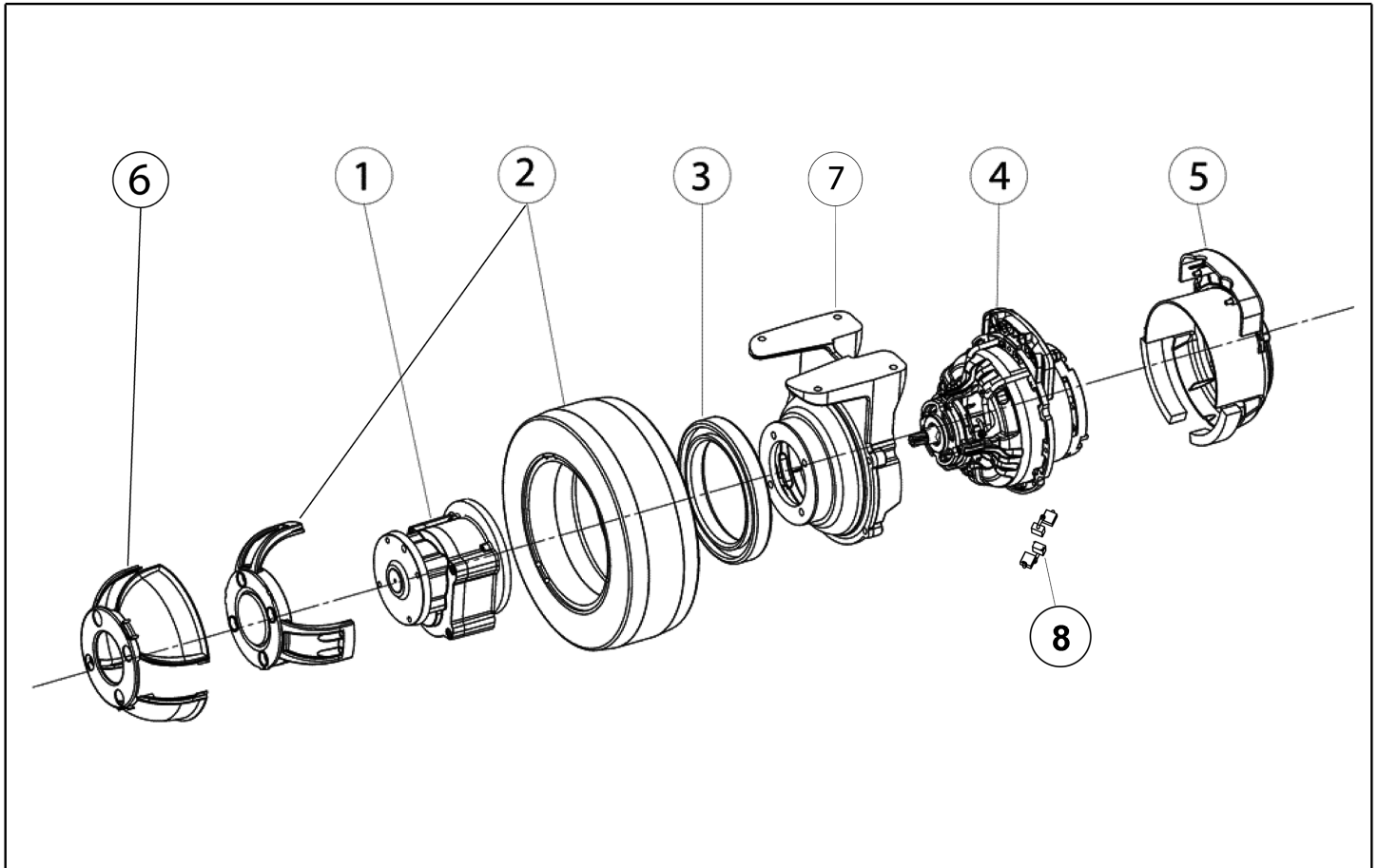


**IPC**

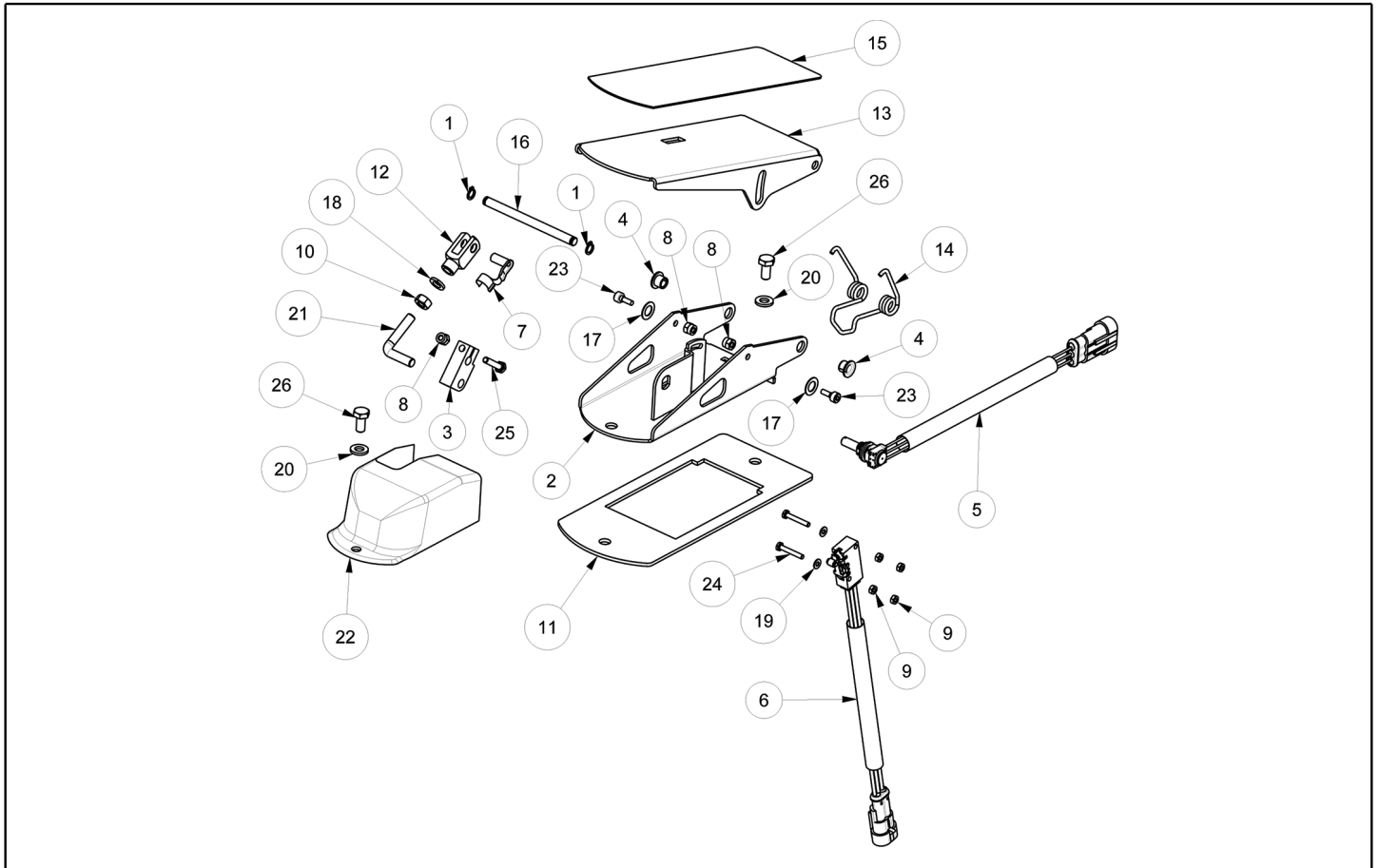
**Spare parts list**

Ref: LPTB03546

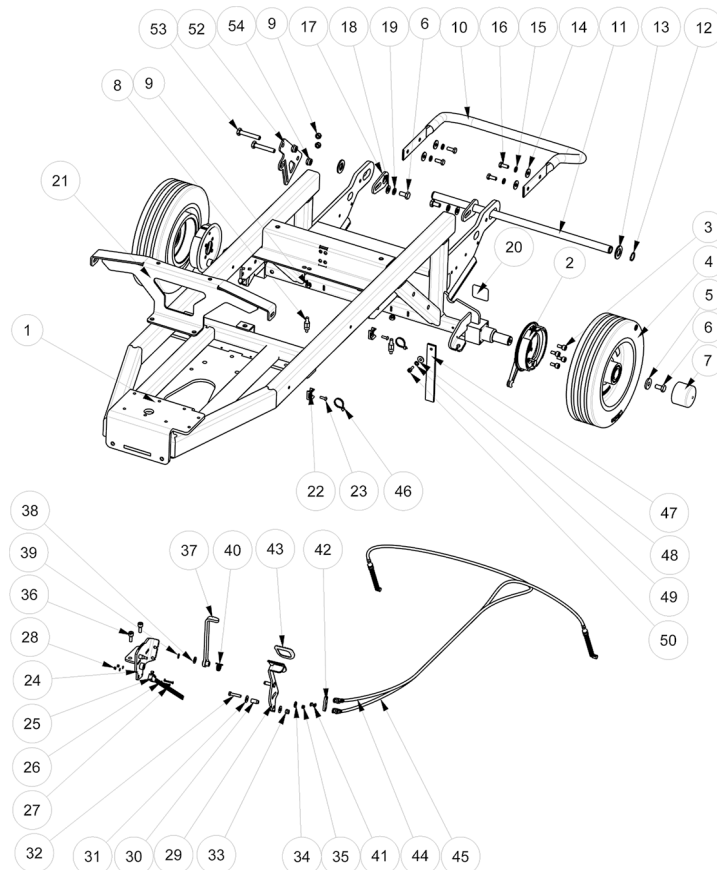
Model: FLOOR WASHER CT231 BT100R SW



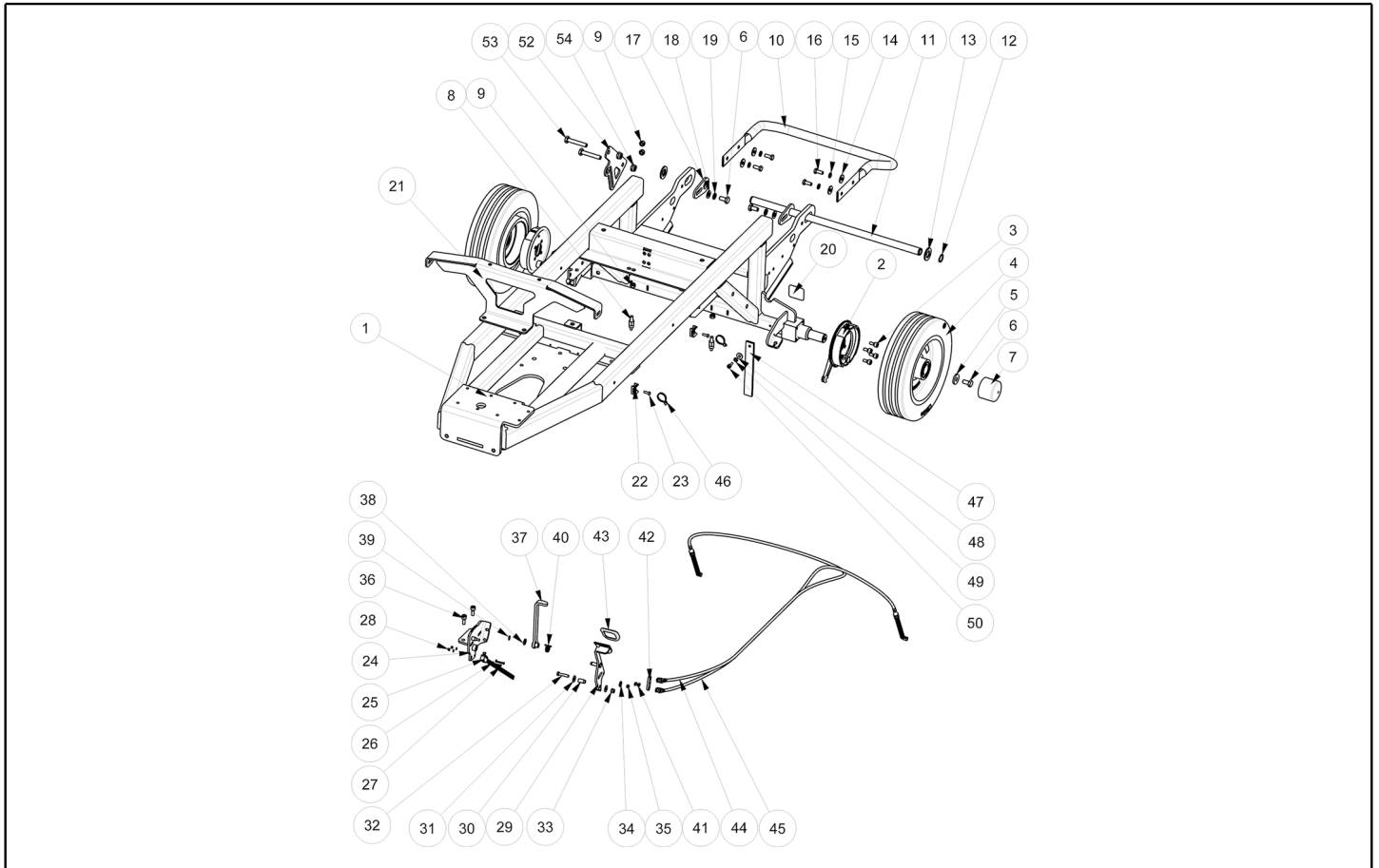
Ref. K	Part n.	Part n. 2	Description	Quantity	Validity		Price
					From	To	
0001	RDGR00039		REDUCTION UNIT -	1,00			--
0002	RTRT00442		WHEEL PU BLUE CT230 300x100	1,00			--
0003	CUVR00194		BEARING 61926 2RS	1,00			--
0004	MOCC00407		MOTOR ELECTRIC TRAC.-WHEEL 230	1,00			--
0005	MPVR04999		TOP .	1,00			--
0006	MPVR08044		COVER MOTORWHEEL CT110-160-230	1,00			--
0007	MFVR00331		SUPPORT WHEEL MOTOR CT230	1,00			--
0008	MEVR34439		CARBON 10X18X19	4,00			--



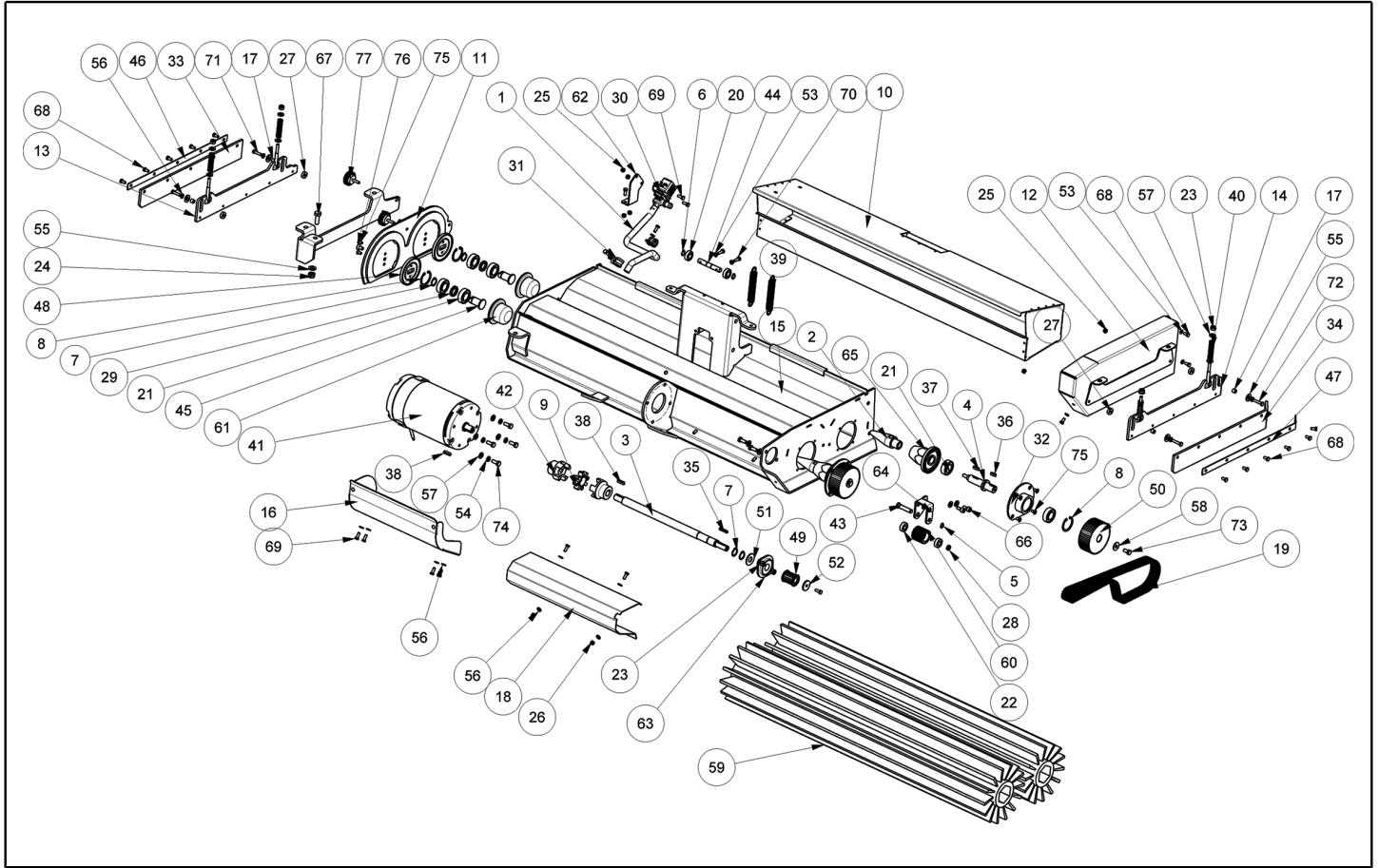
Ref. K	Part n.	Part n. 2	Description	Quantity	Validity		Price
					From	To	
0001	VTAE48552		CIRCLIP ESTERNO DIN 471 D.6	2,00			--
0002	LAFN07532		BASE -	1,00			--
0003	LAFN01149		CONNECTING ROD PEDALE AVANZAMENTO G1050	1,00			--
0004	CUVR00183		BUSHING -	2,00			--
0005	MECB01227		WIRING ACCELERATOR	1,00			--
0006	MECB01228		WIRING -	1,00			--
0007	CMCV75717		CLIP UNI 1676 M6x12	1,00			--
0008	VTDD04369		NUT M 4 TEF UNI 7473	3,00			--
0009	VTDD21115		NUT M 3 INOX	4,00			--
0010	VTDD00482		NUT M 6 ZIN UNI 5588	1,00			--
0011	LAFN05802		FLANGE PEDALE ACCELERATORE P185	1,00			--
0012	CMCV76639		FORK M 6 UNI 1676	1,00			--
0013	LAFN06474		SHEET METAL PA. PEDALE	1,00			--
0014	MLML00034		SPRING PEDALE AVANZAMENTO G1050	1,00			--
0015	MPVR00866		PLANE ANTISDRUCCIOLO G1050	1,00			--
0016	LAFN00524		PIN PEDALE TK 1050	1,00			--
0017	MPVR05528		WASHER -	2,00			--
0018	VTRS15144		WASHER D. 6 INX GRW UNI 1751	1,00			--
0019	VTRS00385		WASHER UNI 6592 3,2X7X0,5 INOX	2,00			--
0020	VTRS00503		WASHER D. 6 UNI 6592	2,00			--
0021	LAFN00909		BRACKET BIELLETTA PEDALE	1,00			--
0022	MPVR00302		CRANKCASE PEDALE AVANZAMENTO	1,00			--
0023	VTVT00089		SCREW TCCE UNI 5931 4X10 ZB	2,00			--
0024	VTVT01350		SCREW M3-20 INOX	2,00			--
0025	VTVT00727		SCREW TE M. 4-20	1,00			--
0026	VTVT15906		SCREW TE 6X 12 A2 UNI 5739	2,00			--



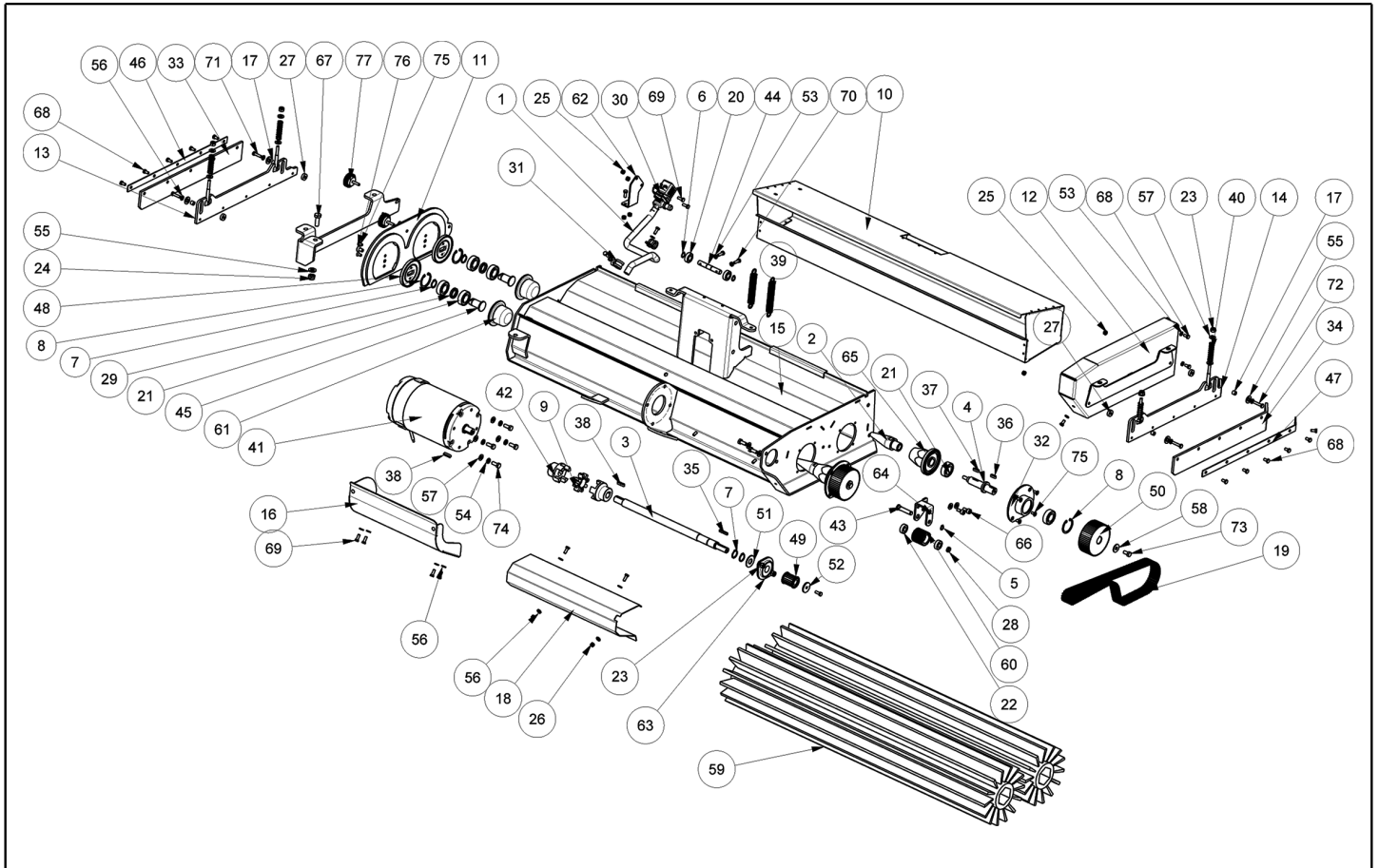
Ref. K	Part n.	Part n. 2	Description	Quantity	Validity		Price
					From	To	
0001	LAFN11872		FRAME .	1,00			--
0002	RTRT45090		BRAKE PORTACEPPO D.125 TK1400	2,00			--
0003	VTVT00876		SCREW TCEI M,8-16	8,00			--
0004	RTRT00795		WHEEL 305/80-205/K POL.GR.	2,00			--
0005	LAFN04144		WASHER RUOTE POSTERIORI	2,00			--
0006	VTVT13936		SCREW TE M 10X 20	4,00			--
0007	MPVR12162		CAP 60,34X44,46	2,00			--
0008	LAFN11739		PIN .	2,00			--
0009	VTDD01701		NUT M8 INOX+ZIN.	4,00			--
0010	LAFN11876		BUMPER .	1,00			--
0011	LAFN11877		PIN .	1,00			--
0012	VTAE00105		SEEGER D20 UNI7435 AISI420	2,00			--
0013	VTRS00019		WASHER UNI 6592 FORO 20 INOX	2,00			--
0014	VTRS13946		WASHER D. 8 X24 INX UNI 6593	4,00			--
0015	VTRS15146		WASHER GROVER A2 UNI1751	4,00			--
0016	VTVT13938		SCREW TE 8X20 UNI5739 INX	4,00			--
0017	LAFN11875		PLATE .	2,00			--
0018	VTRS15523		WASHER D.10 X21 INOX UNI 6592	2,00			--
0019	VTRS15909		WASHER D.10	2,00			--
0020	ETET17434		LABEL -	2,00			--
0021	LAFN11873		BRACKET .	1,00			--
0022	FSVR00243		BASE CABLE TIE, PLASTIC	2,00			--
0023	VTVT00651		SCREW TBEI M 5x16 ISO 7380 IX	2,00			--
0024	LAFN05766		SUPPORT PEDALE CPL	1,00			--
0025	MECI44780		MICROSWITCH IP67 OMRON D2VVW-5L2A-1M	1,00			--
0026	VTRS00385		WASHER UNI 6592 3,2X7X0,5 INOX	4,00			--
0027	VTVT01350		SCREW M3-20 INOX	2,00			--
0028	VTDD00210		NUT M 3 AUTOBL.DIN 985 IX.A2	2,00			--
0029	LAFN05767		ASSEMBLED PEDALE FRENO	1,00			--
0030	LAFN04142		PIN PEDALE FRENO	1,00			--
0031	VTRS13945		WASHER D. 6X18 INX UNI 6593	2,00			--
0032	VTVT00433		SCREW TE M 6X 30 UNI 5739 INX	1,00			--
0033	VTDD01699		NUT M6 INOX+ZINC.B.	1,00			--
0034	VTRS13750		WASHER D. 5X14 INX	1,00			--
0035	VTDD01693		NUT M 5 INX	1,00			--
0036	VTVT13944		SCREW TCEI M 8X20 UNI 5931 INX	2,00			--
0037	LAFN51019		PEDAL BLOCCO	1,00			--
0038	VTRS13947		WASHER D. 8 INX UNI 6592	1,00			--
0039	VTAE14096		SEEGER ESTERNO DIN 471 D.8	1,00			--
0040	MLML00237		SPRING RICHIAMO PEDALE B.F. P185	1,00			--
0041	MTCR47037		JOINT 3/8 PER CATENA TK 1000	1,00			--
0042	LAFN05769		BALANCER PER CAVI FRENO	1,00			--
0043	MPVR45096		PEDAL COVER GRANDE V1021	1,00			--
0044	CMCV00334		CABLE 4x	1,00			--



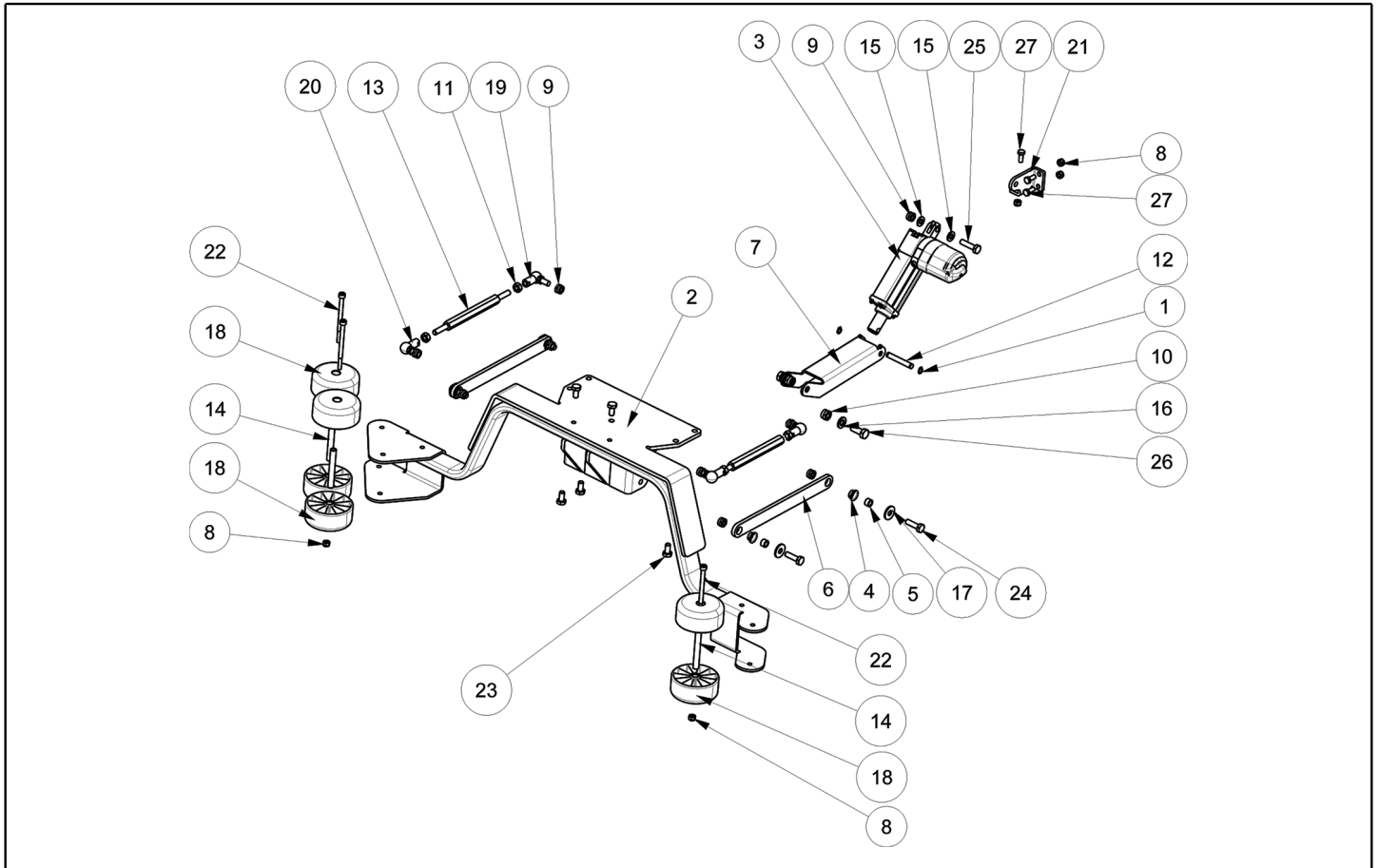
Ref. K	Part n.	Part n. 2	Description	Quantity	Validity		Price
					From	To	
0045	CMCV00335		CABLE 4x	1,00			--
0046	FSVR00050		CLAMP 3,5X140	2,00			--
0047	MPVR04693		RUBBER CONDUCTIVE	1,00			--
0048	VTRS13945		WASHER D. 6X18 INX UNI 6593	1,00			--
0049	VTRS15144		WASHER D. 6 INX GRW UNI 1751	1,00			--
0050	VTVT00717		SCREW TCEI M. 6-16	1,00			--
0052	LAFN12009		SHEET METAL PA. SPRING	1,00			--
0053	VTVT00068		SCREW TE UNI 5739 10X60 ZB	2,00			--
0054	VTDD10310		NUT AUTOBL.M10 INOX DIN 985	2,00			--



Ref. K	Part n.	Part n. 2	Description	Quantity	Validity		Price
					From	To	
0001	TBBP00362		TUBE	1,00			--
0002	LAFN10125		SHAFT BRUSH INSERTION	2,00			--
0003	ALTR00093		SHAFT -	1,00			--
0004	ALTR00092		SHAFT -	2,00			--
0005	VTAE87276		SEEGER EXT. D10 DIN471	1,00			--
0006	VTAE14016		SEEGER ESTERNO DIN 471 D.12	2,00			--
0007	VTAE06193		CIRCLIP D. 20 UNI 7435	4,00			--
0008	VTAE14086		CIRCLIP D. 42 UNI 7437	4,00			--
0009	MPVR06304		RING -	1,00			--
0010	LAFN08073		DRAWER CT230	1,00			--
0011	LAFN08097		PLANE DX	1,00			--
0012	LAFN08074		PLANE SX	1,00			--
0013	LAFN08076		SUPPORT DX	1,00			--
0014	LAFN08075		SUPPORT SX	1,00			--
0015	LAFN08056		HEAD CT230	1,00			--
0016	LAFN08080		PROTECTION MOTOR	1,00			--
0017	LAFN04184		BUSHING P185 ROLL.	4,00			--
0018	LAFN08081		CRANKCASE -	1,00			--
0019	MTCG00137		BELT -	1,00			--
0020	CUVR46942		BALL BEARING 6001-2RS1 -SKF	2,00			--
0021	CUVR19846		BALL BEARING 6004 2RS1	8,00			--
0022	CUVR29964		BALL BEARING 6000-2RS1	2,00			--
0023	VTDD01701		NUT M8 INOX+ZIN.	6,00			--
0024	VTDD10310		NUT AUTOBL.M10 INOX DIN 985	1,00			--
0025	VTDD01694		NUT M6 INOX	4,00			--
0026	VTDD01700		NUT M6 INOX+ZIN.	4,00			--
0027	LAFN06396		SPACER FLAP SX	4,00			--
0028	LAFN06846		SPACER -	1,00			--
0029	LAFN08088		SPACER -	2,00			--
0030	MEEV00043		SOLENOID VALVE	1,00			--
0031	FSVR00043		CLAMP D.16 F.8,5 Inox430	2,00			--
0032	LAFN08057		FLANGE .	2,00			--
0033	MPVR06262		FLAP DX CT230	1,00			--
0034	MPVR06263		FLAP SX CT230	1,00			--
0035	VTVR13164		KEY UNI 6604 5X5X30	1,00			--
0036	VTVR00053		KEY UNI 6604 6X6X18	2,00			--
0037	VTVR28706		KEY UNI 6604 6X6X20	2,00			--
0038	VTVR23472		KEY UNI 6604 6X6X25	2,00			--
0039	MLML31130		SPRING D. 17,5 X110 N38	2,00			--
0040	MLML00302		SPRING REGISTRAZIONE FLAP	4,00			--
0041	MOCC00421		MOTOR -	1,00			--
0042	ALTR00094		HUB -	2,00			--
0043	LAFN06847		PIN TENDICINGHIA	1,00			--
0044	LAFN08082		PIN -	1,00			--

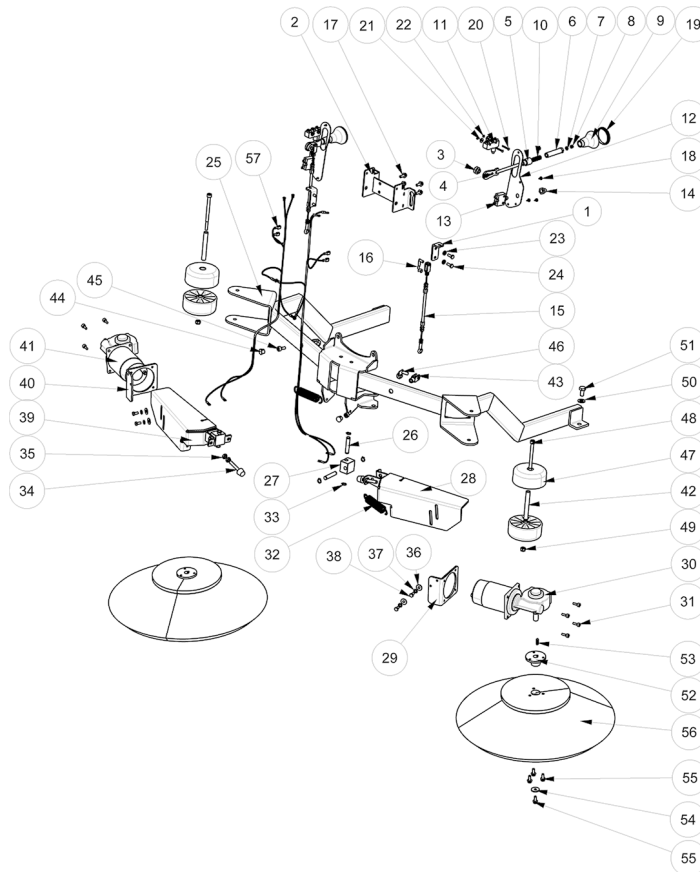


Ref. K	Part n.	Part n. 2	Description	Quantity	Validity		Price
					From	To	
0045	LAFN08089		PIN -	2,00			--
0046	LAFN08077		BRACKET DX	1,00			--
0047	LAFN08079		BRACKET SX	1,00			--
0048	LAFN08086		PROTECTION -	2,00			--
0049	MTPL00154		PULLEY MOTORE TESTATA P185	1,00			--
0050	MTPL00210		PULLEY -	2,00			--
0051	LAFN36058		WASHER INOX Ø15.3X35 SP2	1,00			--
0052	VTRS00573		WASHER 30x6x3	1,00			--
0053	VTRS15144		WASHER D. 6 INX GRW UNI 1751	5,00			--
0054	VTRS15146		WASHER GROVER A2 UNI1751	4,00			--
0055	VTRS15523		WASHER D.10 X21 INOX UNI 6592	5,00			--
0056	VTRS00245		WASHER D.6 UNI 6592 INOX	14,00			--
0057	VTRS13947		WASHER D. 8 INX UNI 6592	16,00			--
0058	VTRS13946		WASHER D. 8 X24 INX UNI 6593	2,00			--
0059	SPPV01330		ROLLER D180X984	2,00			--
0060	MTPL00193		ROLLER Z26	1,00			--
0061	LAFN08087		ROLLER -	2,00			--
0062	LAFN08101		SUPPORT EV	1,00			--
0063	CUVR00105		BEARING SB204KDF+PFL204PTN	1,00			--
0064	LAFN06848		SUPPORT TENDICINGHIA	1,00			--
0065	LAFN08059		DRIVE DISK .	2,00			--
0066	VTVT00876		SCREW TCEI M,8-16	2,00			--
0067	VTVT01541		SCREW TE M 10x30 INOX UNI5739	1,00			--
0068	VTVT15906		SCREW TE M 6X 12 A2 UNI 5739	14,00			--
0069	VTVT15143		SCREW TE M 6X16 UNI5739	13,00			--
0070	VTVT13939		SCREW TE M 6X20 UNI5739 INX	2,00			--
0071	VTVT15141		SCREW TE M 6X 25 UNI 5739 INX	2,00			--
0072	VTVT00433		SCREW TE M 6X 30 UNI 5739 INX	2,00			--
0073	VTVT15916		SCREW TE M 8X 16 UNI 5739 A2	2,00			--
0074	VTVT13938		SCREW TE M 8X20 UNI5739 INX	6,00			--
0075	VTVT00678		SCREW	12,00			--
0076	VTVT00790		SCREW TSPEI M8X16	2,00			--
0077	VTVT00125		HANDWHEEL D.40 M6X15	2,00			--

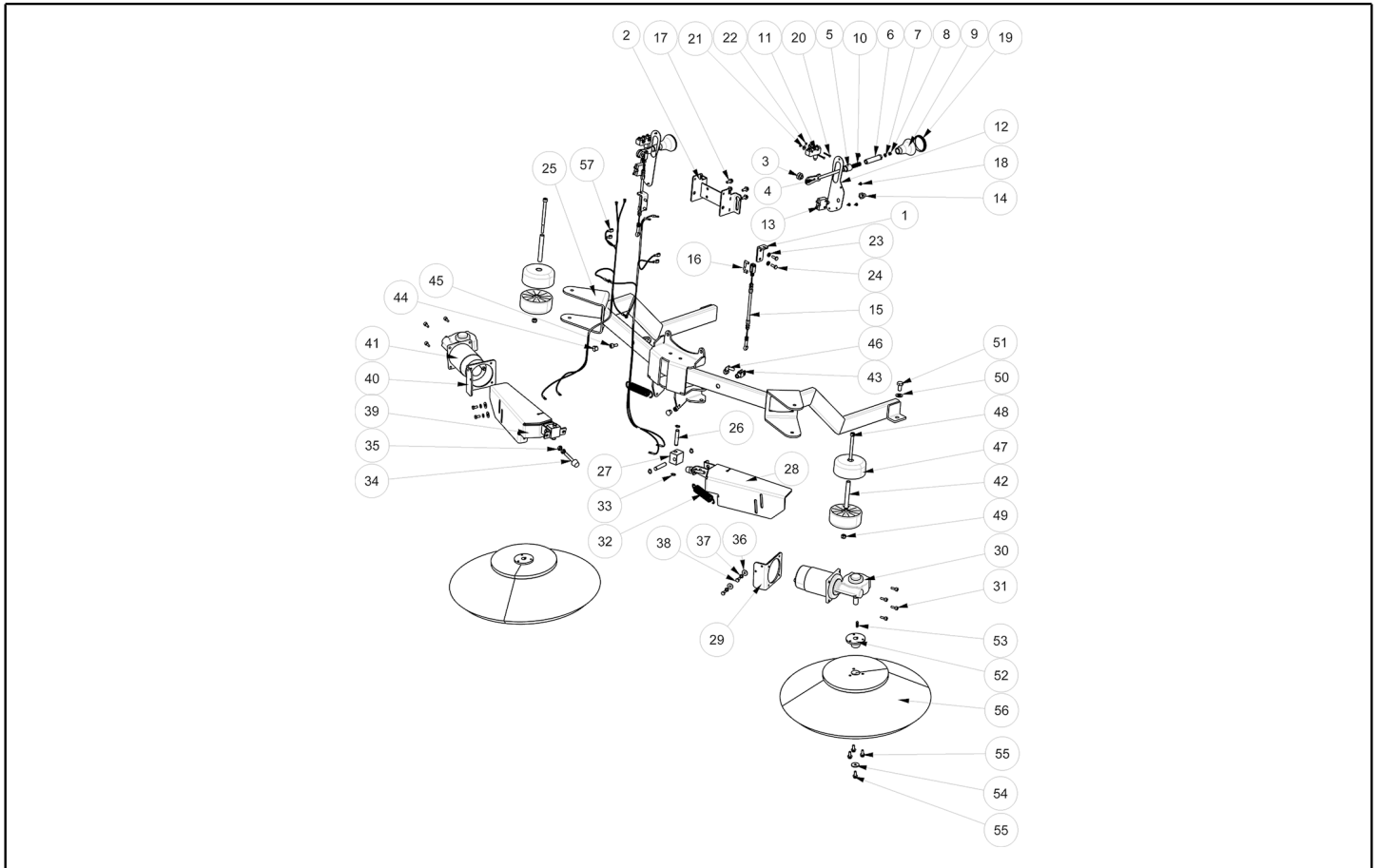


Ref. K	Part n.	Part n. 2	Description	Quantity	Validity		Price
					From	To	
0001	VTAE87276		SEEGER EXT. D10 DIN471	2,00			--
0002	LAFN08096		BRACKET CT230 R	1,00			--
0003	MOCC00388		ACTUATOR BRUSH HEAD 36V 1500N	1,00			--
0004	CUVR00192		BUSHING -	4,00			--
0005	LAFN09249		BUSHING -	4,00			--
0006	LAFN08102		ARM CT230R	2,00			--
0007	LAFN09208		BRACKET CT230 R	1,00			--
0008	VTDD01701		NUT M8 INOX+ZIN.	6,00			--
0009	VTDD10310		NUT AUTOBL.M10 INOX DIN 985	9,00			--
0010	VTDD00176		NUT M.12 INOX A2 BASSO AUTOB.	2,00			--
0011	VTDD15522		NUT M10 INOX UNI5588	4,00			--
0012	LAFN08092		PIN -	1,00			--
0013	LAFN09238		PIN CT230	2,00			--
0014	LAFN04127		PIN RULLO PARACOLPI	3,00			--
0015	VTRS15523		WASHER D.10 X21 INOX UNI 6592	2,00			--
0016	VTRS15978		WASHER D.12X24 UNI 6592 INX	2,00			--
0017	VTRS15524		WASHER D.10	4,00			--
0018	RTRT00510		WHEEL BUMPER RAL7040	6,00			--
0019	VTVR00133		ARTICULATION RIGHT THREAD M10	2,00			--
0020	VTVR00118		ARTICULATION LEFT THREAD M10	2,00			--
0021	LAFN11939		BRACKET .	1,00			--
0022	VTVT67560		SCREW TCEI M8X110 INOX AISI 304	3,00			--
0023	VTVT13936		SCREW TE M 10X 20	6,00			--
0024	VTVT00715		SCREW TE M.10-35	4,00			--
0025	VTVT01549		SCREW TE M10-40	1,00			--
0026	VTVT00422		SCREW TE M 12X 30 UNI 5739	2,00			--
0027	VTVT13938		SCREW TE 8X20 UNI5739 INX	3,00			--

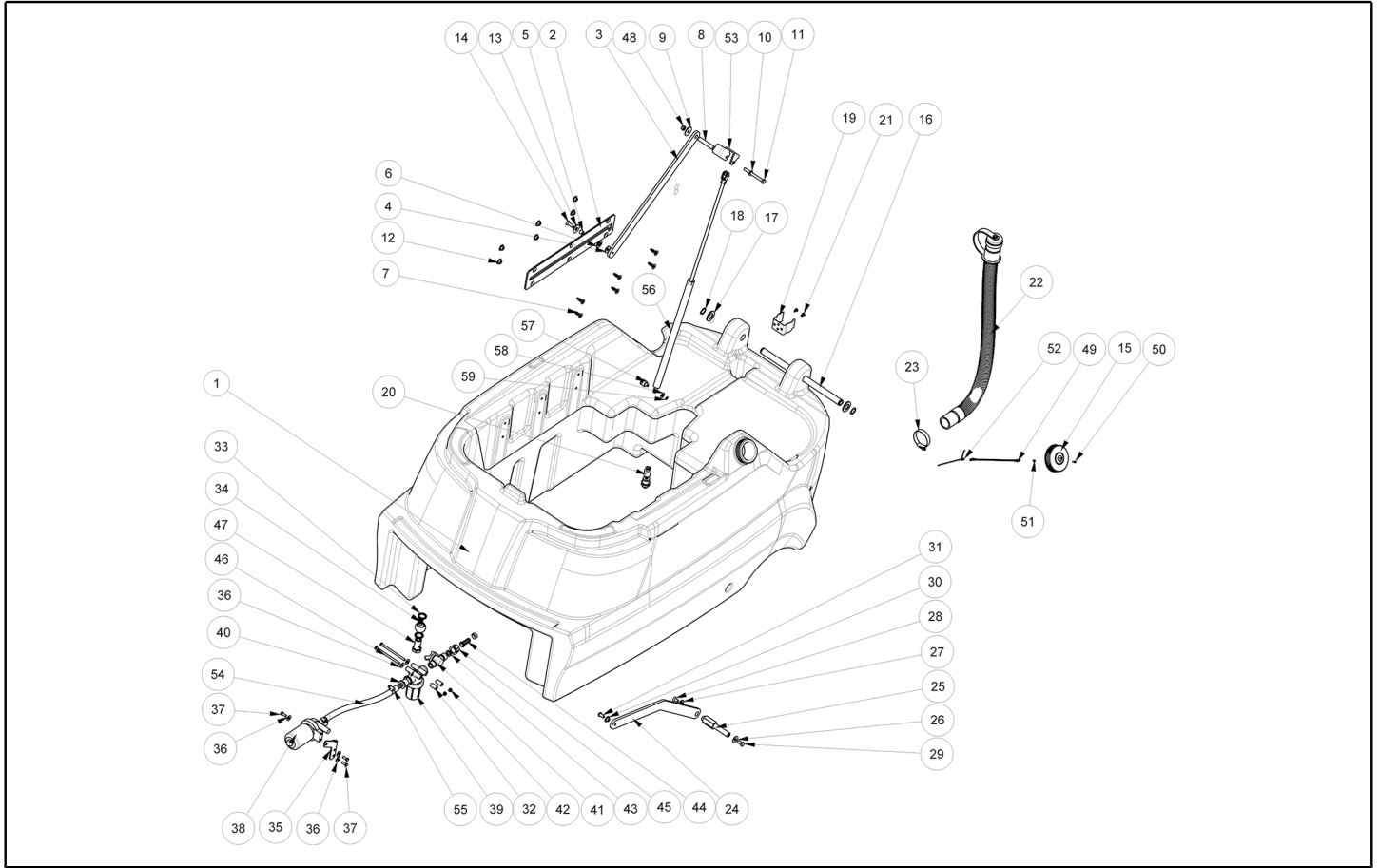




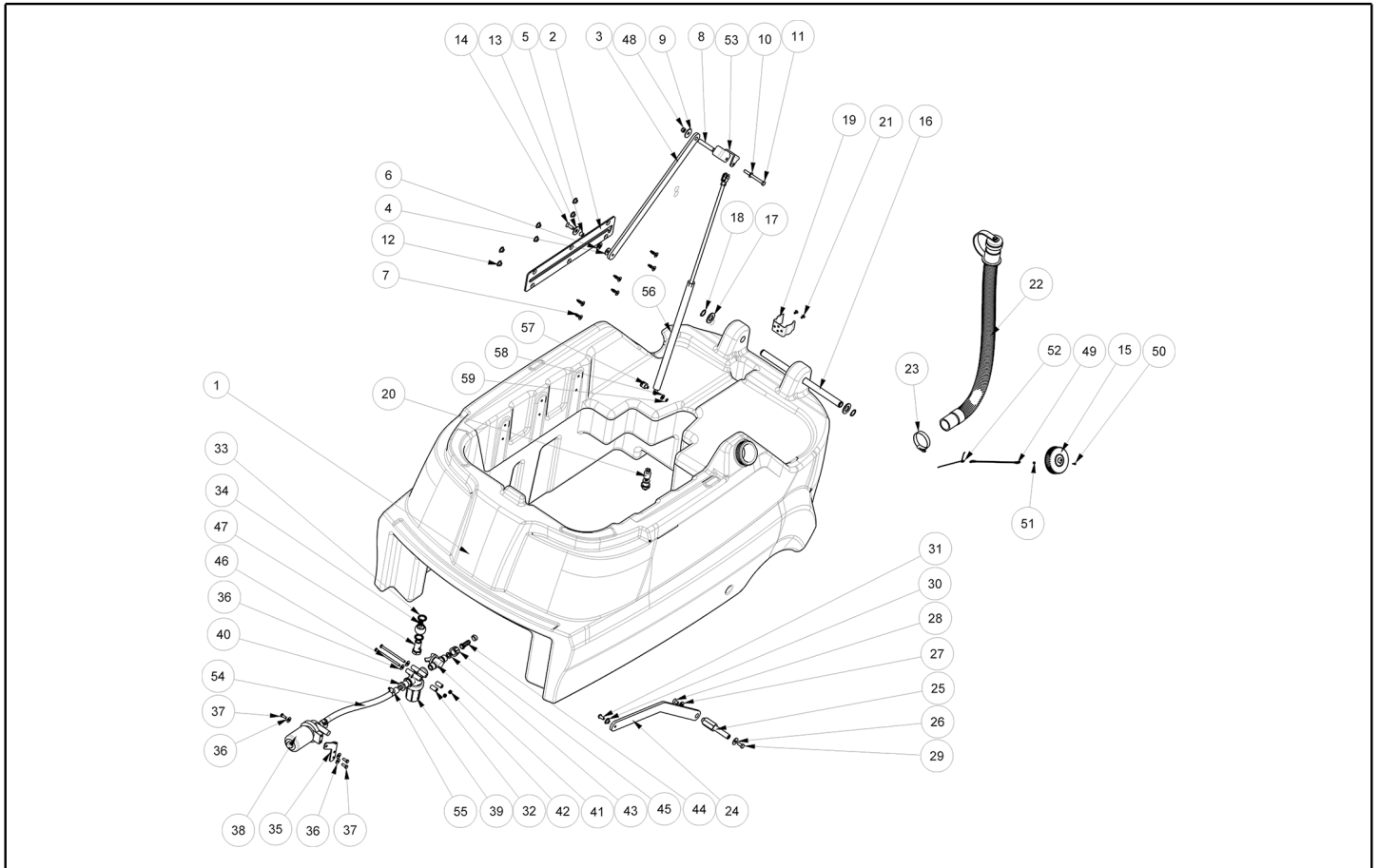
Ref. K	Part n.	Part n. 2	Description	Quantity	Validity		Price
					From	To	
0001	LAFN09211		BRACKET CT230 R	2,00			--
0002	LAFN07597		BRACKET -	1,00			--
0003	LAFN00153		BUSHING LEVA ALZA SPAZ.LAT.ZINC.	2,00			--
0004	LAFN00803		ARM ALZASPAZZOLA LATER.1050	2,00			--
0005	LAFN07612		BUSHING -	2,00			--
0006	LAFN00523		SPRING HOLDER BRUSH LIFT	2,00			--
0007	VTRS00502		WASHER D. 5 0.466 UNI 6592	2,00			--
0008	VTDD08171		NUT M 5 TEF	2,00			--
0009	MPVR00868		KNOB ALZASPAZZOLA LAT.G1050	2,00			--
0010	MLML00027		SPRING POMOLO SPAZZ.CENTRALE	2,00			--
0011	MECI75801		MICROSWITCH A PISTONE (MS/10-Z15GC)	2,00			--
0012	LAFN07599		COVER -	2,00			--
0013	METT00040			2,00			--
0014	MEVR02900		CAP -	2,00			--
0015	CMCV00458		CABLE -	2,00			--
0016	CMCV00009		CLIP UNI 1676	2,00			--
0017	VTVT62920		SCREW TE FR 6X16 ZB ZIGRINATE	4,00			--
0018	VTVT85145		SCREW TCB T-CROCE 4,2X9,5 INOX	8,00			--
0019	MPVR00879		KNOB ALZASPAZZOLA LAT.G1050	2,00			--
0020	VTVT00021		SCREW TE UNI 5739 3X25 ZB	4,00			--
0021	VTRS15959		WASHER UNI 6593 4X12X1,5 ZB	4,00			--
0022	VTDD00001		NUT UNI 5588 M3 ZB	4,00			--
0023	VTRS00245		WASHER D.6 UNI 6592 INOX	4,00			--
0024	VTVT15143		SCREW TE 6X16 UNI5739	4,00			--
0025	LAFN08098		BUMPER CT230R	1,00			--
0026	LAFN01148		PIN SPAZZOLE LATERALI	4,00			--
0027	LAFN00154		BLOCK BRACCI SPAZ.LAT.TK1050	2,00			--
0028	LAFN08100		SUPPORT MOTOR	1,00			--
0029	LAFN00809		PLATE PORTASPAZZ.LAT.SX TK1050	1,00			--
0030	MOCC00367		MOTOR -	1,00			--
0031	VTVT09913		SCREW TCCE UNI 5931 6X16 ZB	8,00			--
0032	MLML45102		SPRING BRACCIO SPAZ.LAT.TK1400	2,00			--
0033	VTAE87276		SEEGER EXT. D10 DIN471	8,00			--
0034	ABGO00055		VIBRATION DAMP. -	2,00			--
0035	VTDD00057		NUT UNI 5589 M8 BASSO ZB	4,00			--
0036	VTRS13945		WASHER D. 6X18 INX UNI 6593	4,00			--
0037	VTRS15144		WASHER D. 6 INX GRW UNI 1751	4,00			--
0038	VTVT15906		SCREW TE 6X 12 A2 UNI 5739	4,00			--
0039	LAFN08099		SUPPORT MOTOR	1,00			--
0040	LAFN00808		PLATE PORTASPAZZ.LAT.DX TK1050	1,00			--
0041	MOCC00366		MOTOR -	1,00			--
0042	LAFN04127		PIN RULLO PARACOLPI	2,00			--
0043	CMCV00001		FORK UNI 1676 M8X16	2,00			--
0044	RCVR00165			2,00			--



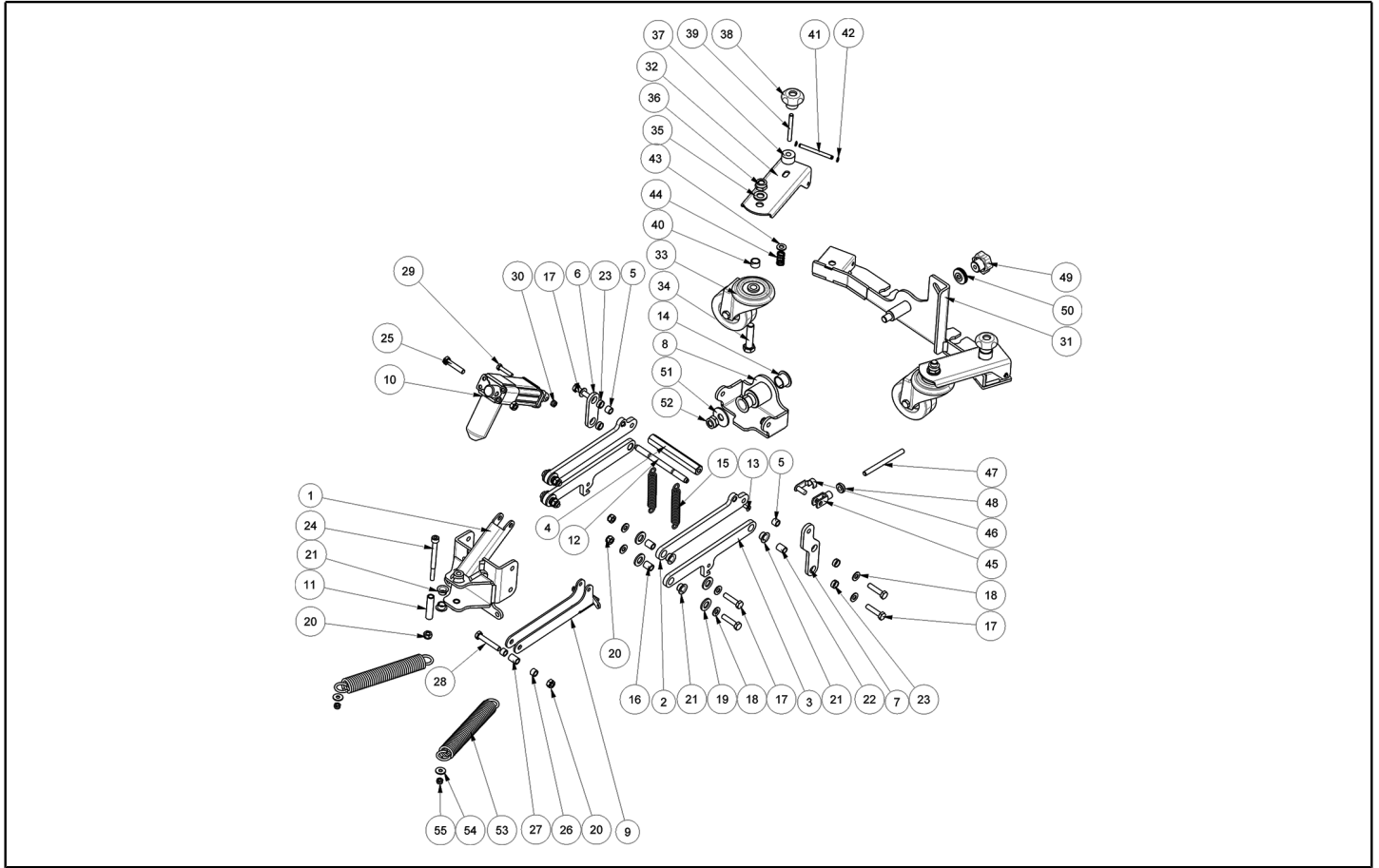
Ref. K	Part n.	Part n. 2	Description	Quantity	Validity		Price
					From	To	
0045	VTVT00876		SCREW TCEI M.8-16	2,00			--
0046	CMCV75718		CLIP UNI 1676 M8x16	2,00			--
0047	RTRT00510		WHEEL BUMPER RAL7040	4,00			--
0048	VTVT67560		SCREW TCEI M8X110 INOX AISI 304	2,00			--
0049	VTDD01701		NUT M8 INOX+ZIN.	2,00			--
0050	VTRS15523		WASHER D.10 X21 INOX UNI 6592	2,00			--
0051	VTVT13936		SCREW TE M 10X 20	2,00			--
0052	LAFN45010		FLANGE L.1400 LT	2,00			--
0053	VTVR13165		KEY UNI 6604 5X5X20	2,00			--
0054	VTRS63242		WASHER UNI 6593 6X24X2 ZB	2,00			--
0055	VTVT62920		SCREW TE FR 6X16 ZB ZIGRINATE	8,00			--
0056	SPPV00018		SIDE-BRUSH 1202-1250-1280	2,00			--
0057	MECB01268		WIRING	1,00			--



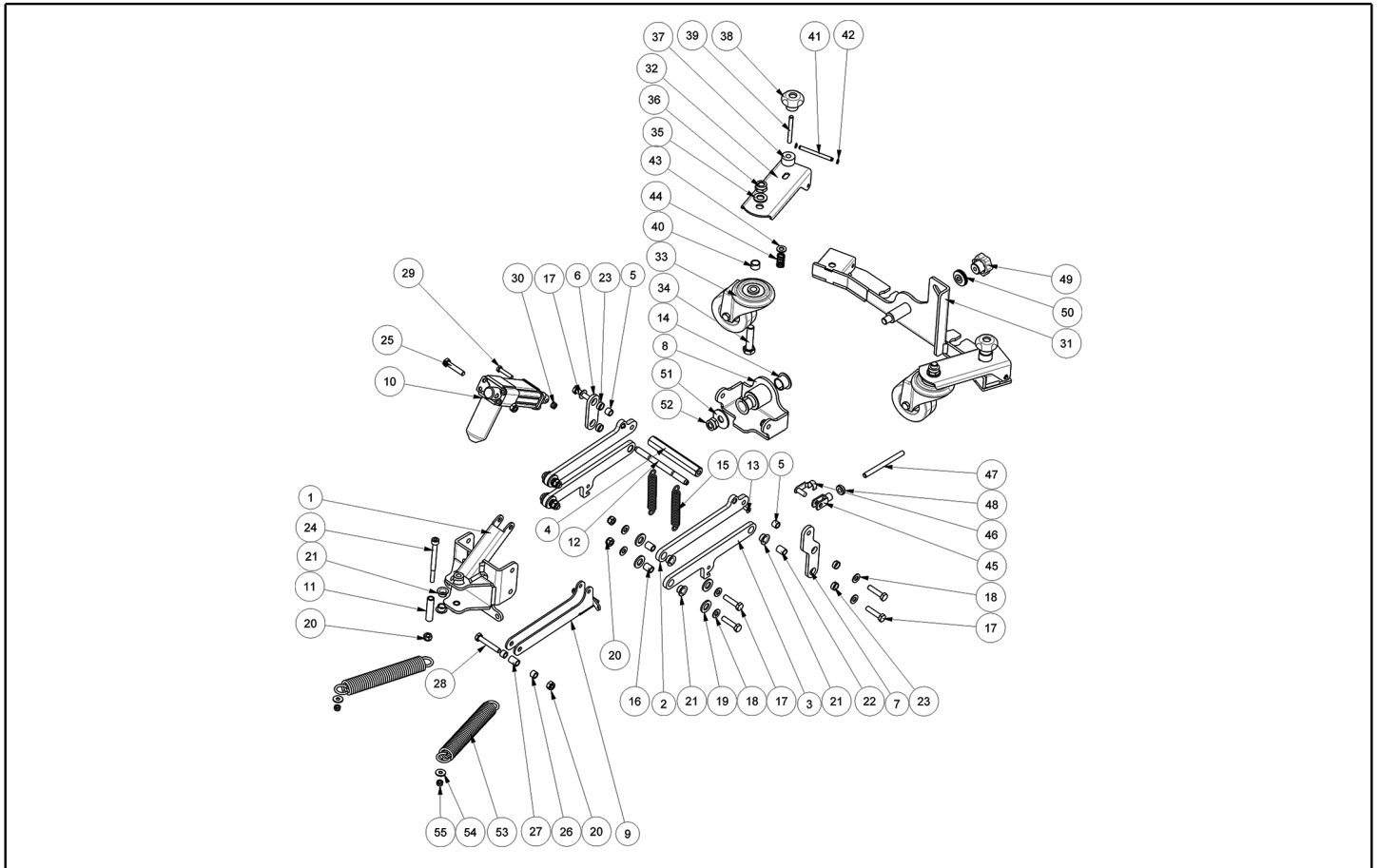
Ref. K	Part n.	Part n. 2	Description	Quantity	Validity		Price
					From	To	
0001	MPVR13427		TANK SOLUTION T1581	1,00			--
0002	LAFN11878		GUIDE .	1,00			--
0003	LAFN11879		ROD .	1,00			--
0004	VTRS13946		WASHER D. 8 X24 INX UNI 6593	1,00			--
0005	LAFN09160		BUSHING -	1,00			--
0006	VTRS15978		WASHER D.12X24 UNI 6592 INX	2,00			--
0007	VTVT01608		SCREW STS-PLUS KN6041 8x25 - T4	6,00			--
0008	LAFN11880		SPACER .	1,00			--
0009	VTRS16323		WASHER D. 8 X32 UNI 6593 INX	1,00			--
0010	VTRS13947		WASHER D. 8 INX UNI 6592	1,00			--
0011	VTVT00734		SCREW TE M. 8-80	1,00			--
0012	LAFN06391		BUSHING BRUSH DECK SUPPORT	6,00			--
0013	VTRS15524		WASHER D.10	1,00			--
0014	VTVT00781		SCREW TSPEI M.8-25	1,00			--
0015	MPVR13483		CAP .	1,00			--
0016	LAFN11881		PIN .	1,00			--
0017	VTRS00019		WASHER UNI 6592 FORO 20 INOX	2,00			--
0018	VTAE00105		SEEGER D20 UNI7435 AISI420	2,00			--
0019	FSVR44166		HOSE CLIP D.50	1,00			--
0020	MECI00533		SENSOR VS303-51N	1,00			--
0021	VTVT01432		SCREW 50X10	2,00			--
0022	TBBP00391		TUBE -	1,00			--
0023	FSVR00095		CLAMP 30-45	1,00			--
0024	LAFN11882		ROD .	1,00			--
0025	LAFN11883		PIN .	1,00			--
0026	VTRS13946		WASHER D. 8 X24 INX UNI 6593	1,00			--
0027	VTRS15978		WASHER D.12X24 UNI 6592 INX	1,00			--
0028	VTVT00790		SCREW TSPEI M8X16	1,00			--
0029	VTVT15916		SCREW TE M 8X 16 UNI 5739 A2	1,00			--
0030	LAFN06391		BUSHING BRUSH DECK SUPPORT	1,00			--
0031	VTVT00779		SCREW TBEI M 8X 16 ISO 7380 IX	1,00			--
0032	LAFN09490		SPACER	2,00			--
0033	VTRS00567		WASHER 1/2	2,00			--
0034	RCDS34666		CONNECTOR O. 1/2 - 8.5-16 OT.	1,00			--
0035	LAFN09210		BRACKET CT230 R	1,00			--
0036	VTRS13945		WASHER D. 6X18 INX UNI 6593	5,00			--
0037	VTVT15143		SCREW TE 6X16 UNI5739	3,00			--
0038	PPEL00025		PUMP EST. 36V	1,00			--
0039	FTAC00038		FILTER SOLUTION TANK G1/2	1,00			--
0040	RCVR00547		CONNECTOR PORTAG. DIRIT	1,00			--
0041	RCGR00078		VALVE TAP SOLUTION TANK	1,00			--
0042	VTDD01700		NUT M6 INOX+ZIN.	2,00			--
0043	GUGO00427		GASKET -	1,00			--
0044	RCVR00744		CONNECTOR -	1,00			--



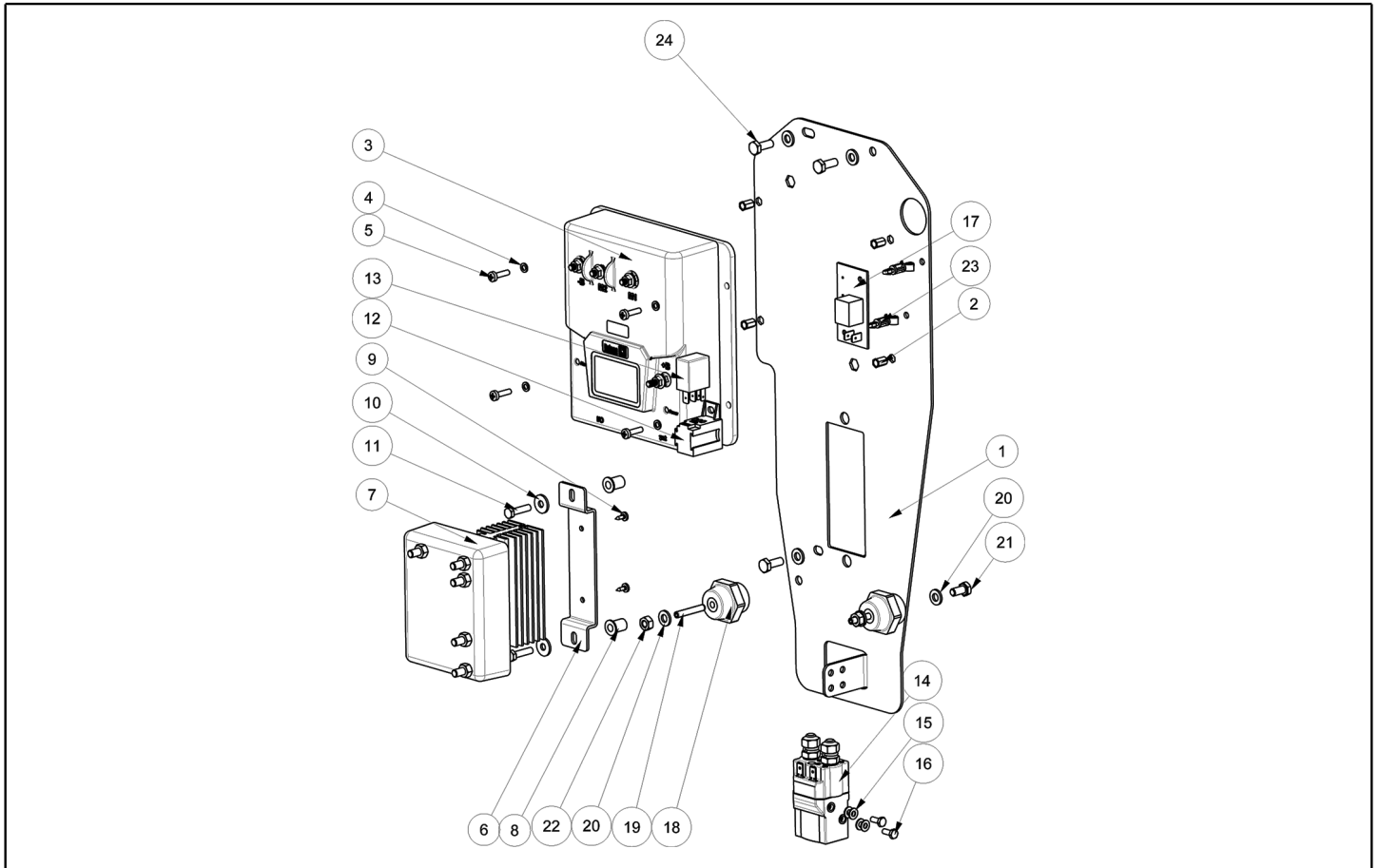
Ref. K	Part n.	Part n. 2	Description	Quantity	Validity		Price
					From	To	
0045	MPVR05240		RING NUT G1/2	1,00			--
0046	VTVT01437		SCREW TE M6x100	2,00			--
0047	RCDS40286		SCREW 1/2 C/SC. L=46.0 D.13.5 I	1,00			--
0048	VTDD01701		NUT M8 INOX+ZIN.	1,00			--
0049	LAFN12018		CHAIN .	1,00			--
0050	VTVT00722		SCREW	1,00			--
0051	VTDD00210		NUT M 3 AUTOBL.DIN 985 IX.A2	1,00			--
0052	LAFN12017		SPRING .	1,00			--
0053	LAFN12011		SHEET METAL PA .	1,00			--
0055	FSVR00096		CLAMP 10-16 INOX	2,00			--
0056	MLML00551		SPRING F500N	1,00			--
0057	LAFN12010		PIN .	1,00			--
0058	VTRS13947		WASHER D. 8 INX UNI 6592	1,00			--
0059	VTAE00059		RING D'ARRESTO A/2	1,00			--



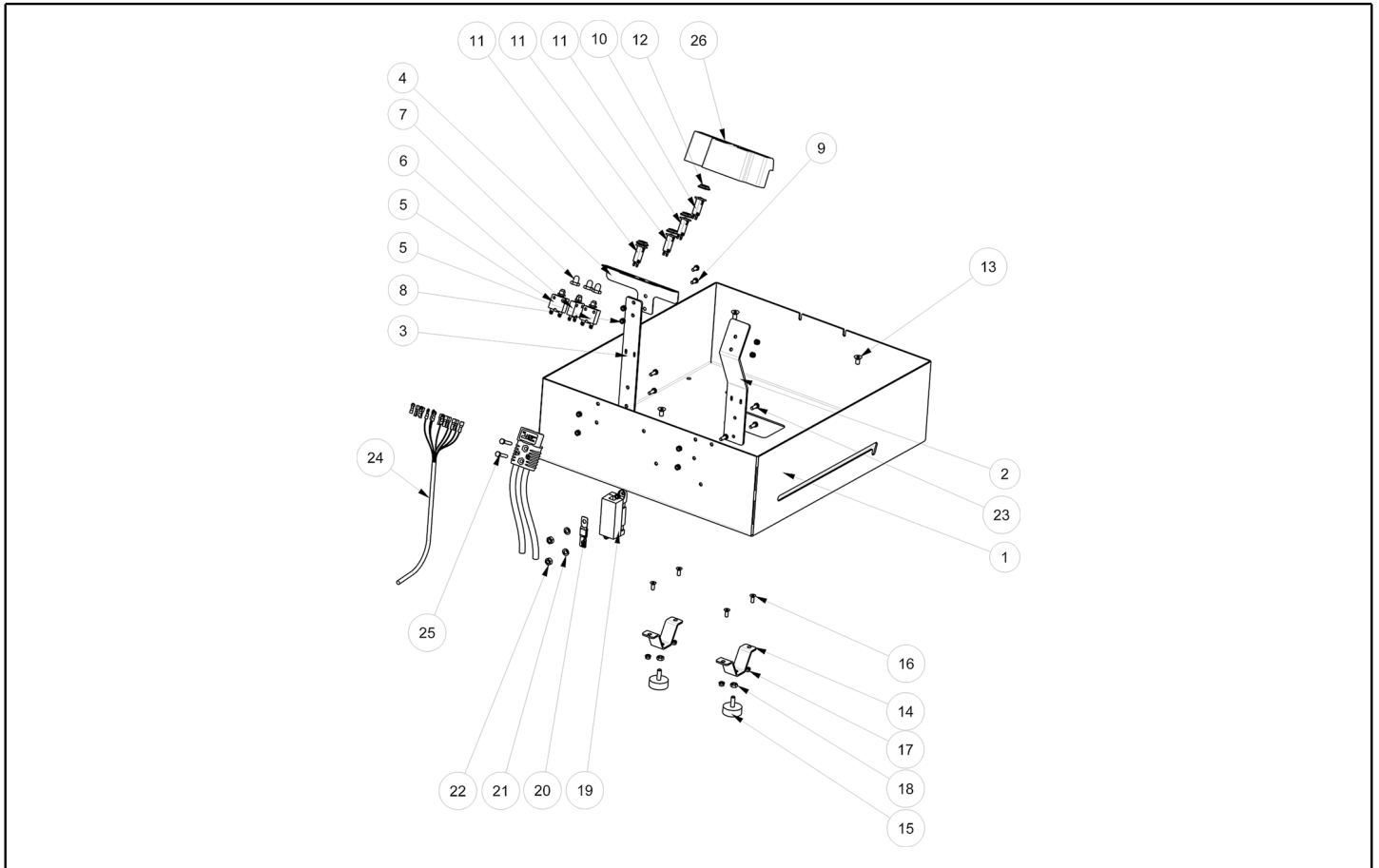
Ref. K	Part n.	Part n. 2	Description	Quantity	Validity		Price
					From	To	
0001	LAFN08809		ARTICULATION -	1,00			--
0002	LAFN11223		ARM	2,00			--
0003	LAFN11737		ARM SQUEEGEE	2,00			--
0004	LAFN09239		SPACER CT230	1,00			--
0005	RCDS34717		BUSHING D. 9X12X 8.3	2,00			--
0006	LAFN11224		CONNECTING ROD	1,00			--
0007	LAFN11225		CONNECTING ROD	1,00			--
0008	LAFN08812		BRACKET -	1,00			--
0009	LAFN05777		LEVER SOLLEVAMENTO TERGI	1,00			--
0010	MOCC00394		ACTUATOR SQUEEGEE CT160-230 36V	1,00			--
0011	LAFN07879		BUSHING -	1,00			--
0012	LAFN08808		PIN -	1,00			--
0013	VTVT01317		SCREW M 5X 12 TSPEI UNI 5933	2,00			--
0014	CUVR44216		BUSHING CB 85 2015 31T	2,00			--
0015	MLML00022		SPRING GANCIO ARPIONE	2,00			--
0016	LAFN08907		SPACER 12-8	4,00			--
0017	VTVT00410		SCREW TE M8x35 UNI5739 INOX	8,00			--
0018	VTRS13947		WASHER D. 8 INX UNI 6592	14,00			--
0019	VTRS15978		WASHER D.12X24 UNI 6592 INX	8,00			--
0020	VTDD01701		NUT M8 INOX+ZIN.	9,00			--
0021	CUVR00130		BEARING STRISCIAmento	8,00			--
0022	LAFN43369		SPACER D. 9-12 L= 16	2,00			--
0023	LAFN11228		BUSHING -	4,00			--
0024	VTVT01701		STUD BOLT M8X90	1,00			--
0025	VTVT00708		SCREW TE M. 8-40	1,00			--
0026	LAFN04157		BUSHING SNODO FINALE	2,00			--
0027	LAFN04139		SPACER SNODO TERGI	1,00			--
0028	VTVT15917		SCREW TE M 8X50 INOX A2 UNI	1,00			--
0029	VTVT00433		SCREW TE M 6X 30 UNI 5739 INX	1,00			--
0030	VTDD01700		NUT M6 INOX+ZIN.	1,00			--
0031	LAFN11227		SUPPORT SQUEEGEE	1,00			--
0032	LAFN08993		ARM PORTARUOTA TERGI P185	2,00			--
0033	RTRT00396		WHEEL -	2,00			--
0034	VTVT28885		SCREW TE M 12X 50 UNI 5739 INOX	2,00			--
0035	VTRS15978		WASHER D.12X24 UNI 6592 INX	2,00			--
0036	VTDD00176		NUT M.12 INOX A2 BASSO AUTOB.	2,00			--
0037	ABGO00042		VIBRATION DAMP. SQUEEGEE CASTORS CT160	2,00			--
0038	VTVR35378		HANDWHEEL F 8MAX20 D.40	2,00			--
0039	VTVT01355		SCREW TCCE UNI 5931 8X35 ZB	2,00			--
0040	LAFN09002		THICKNESS -	2,00			--
0041	LAFN04150		PIN BRACCIO RUOTA TERGI P185	2,00			--
0042	VTAE48552		CIRCLIP ESTERNO DIN 471 D.6	4,00			--
0043	VTRS13947		WASHER D. 8 INX UNI 6592	2,00			--
0044	MLML00239		SPRING PER RUOTE TERGI P185	2,00			--



Ref. K	Part n.	Part n. 2	Description	Quantity	Validity		Price
					From	To	
0045	CMCV00001		FORK UNI 1676 M8X16	1,00			--
0046	CMCV75718		CLIP UNI 1676 M8x16	1,00			--
0047	CMCV00181		TIE ROD M8X100	1,00			--
0048	LAFN08811		BUSHING -	1,00			--
0049	VTVT00207		HANDWHEEL M8	1,00			--
0050	MPVR05839		KNOB -	1,00			--
0051	VTRS09142		WASHER UNI 6593 12X36X2,5	1,00			--
0052	VTDD00176		NUT M.12 INOX A2 BASSO AUTOB.	1,00			--
0053	MLML00540		SPRING SQUEEGEE	2,00			--
0054	VTRS13945		WASHER D. 6X18 INX UNI 6593	2,00			--
0055	VTDD01700		NUT M6 INOX+ZIN.	2,00			--

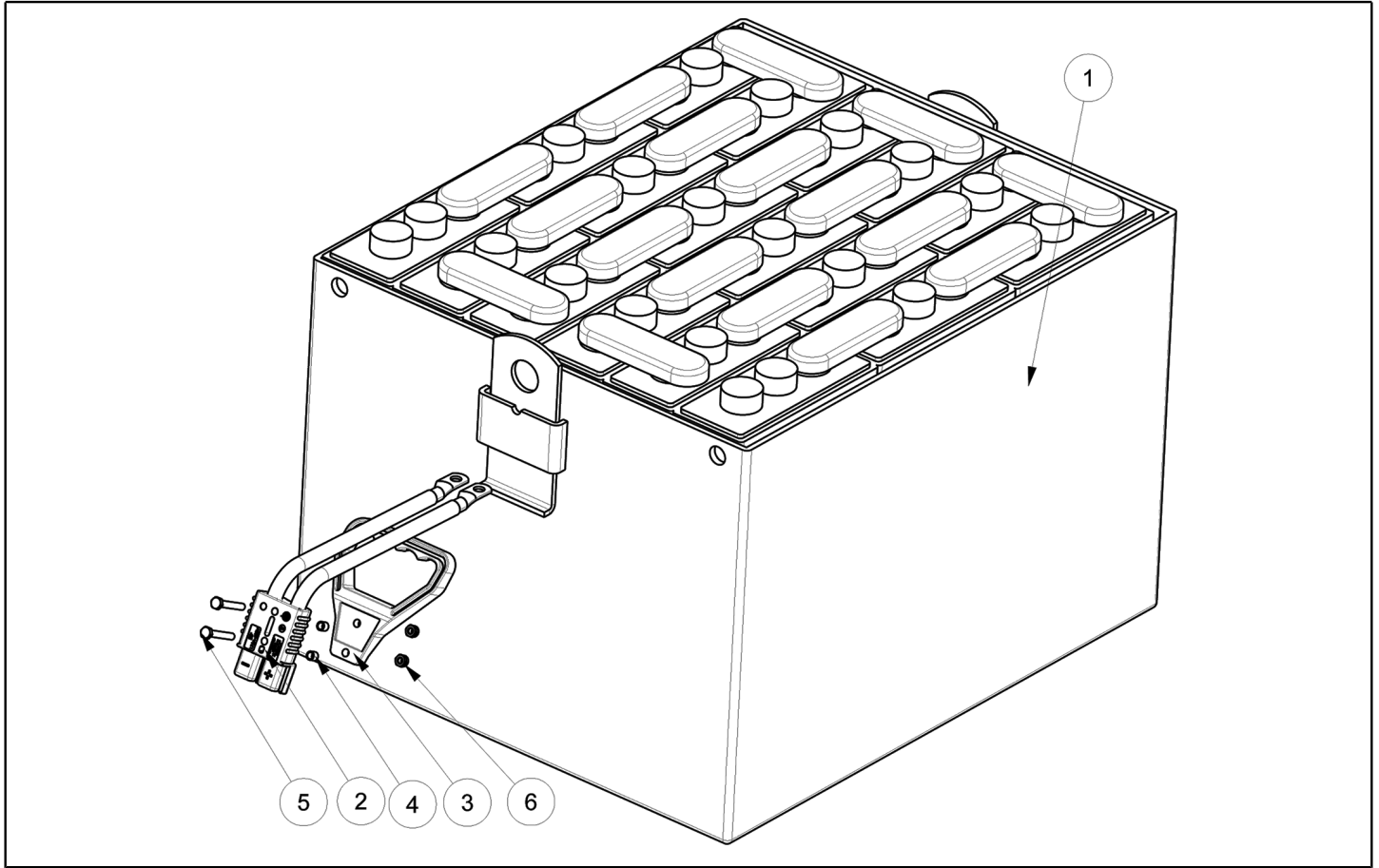


Ref. K	Part n.	Part n. 2	Description	Quantity	Validity		Price
					From	To	
0001	LAFN11890		PANEL .	1,00			--
0002	VTVR00306		INSERT FILETTATO ESAGONALE M5	4,00			--
0003	MECE00927		BOARD 7CH4Q162 150A 24-36V	1,00			--
0004	VTRS15913		WASHER D. 4 GROVER A2 UNI1751	4,00			--
0005	VTVT15924		SCREW M4X16 UNI7687	4,00			--
0006	LAFN11849		SHEET METAL PA .	1,00			--
0007	MECE00526		BOARD POWER SERVICE CT160-CT230	1,00			--
0008	MPVR13464		BUSHING	2,00			--
0009	VTVT00040		SCREW AUTOF.TC UNI6954 3,5X10SP	2,00			--
0010	VTRS13750		WASHER D. 5X14 INX	2,00			--
0011	VTVT07726		SCREW TE 5X20	2,00			--
0012	MEVR02888		BASE TE V23333-Z1001-B045	1,00			--
0013	MECE00456		RELAY CT110	1,00			--
0014	METT00086		CONTACTOR 100A	1,00			--
0015	VTRS00515		WASHER D. 4 INX	4,00			--
0016	VTVT21096		SCREW TE M 4X 10 INX	2,00			--
0017	MECE00755		BOARD CLAXON CT230	1,00			--
0018	MEVR47082		INSULATOR MM35 M6 CH 32	2,00			--
0019	VTVT00900		GRUB SCREW M 6-30 CON ES	2,00			--
0020	VTRS00245		WASHER D.6 UNI 6592 INOX	7,00			--
0021	VTVT15906		SCREW TE 6X 12 A2 UNI 5739	2,00			--
0022	VTDD15520		NUT M 6 A2 UNI 5588 INX	2,00			--
0023	MEVR01708		COLUMN -	2,00			--
0024	VTVT15143		SCREW TE 6X16 UNI5739	3,00			--

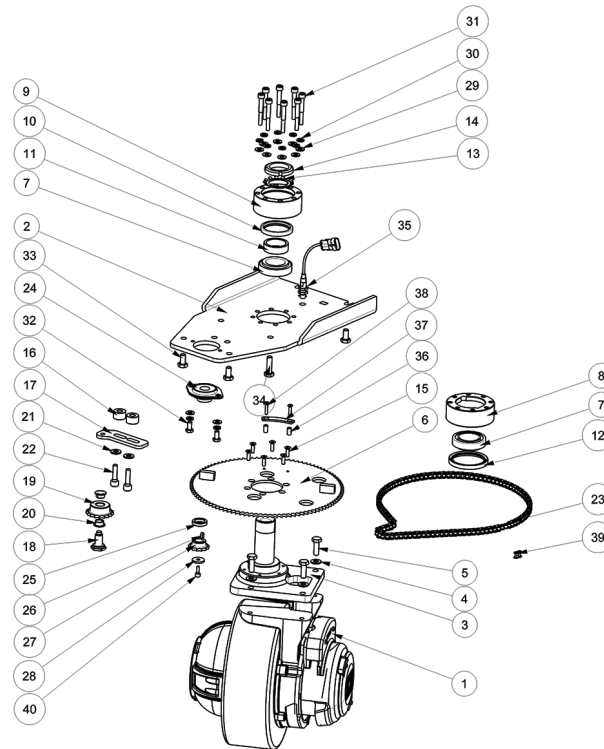


Ref. K	Part n.	Part n. 2	Description	Quantity	Validity		Price
					From	To	
0001	LAFN11891		CONTAINER .	1,00			--
0002	LAFN11892		BRACKET .	1,00			--
0003	LAFN11893		SUPPORT .	1,00			--
0004	LAFN11894		BRACKET .	1,00			--
0005	METT00138		FUSE 50A	2,00			--
0006	METT00132		FUSE CIRCUIT BREAKER 30A	1,00			--
0007	MEVR02900		CAP -	3,00			--
0008	VTDD01700		NUT M6 INOX+ZIN.	2,00			--
0009	VTVT15906		SCREW TE 6X 12 A2 UNI 5739	2,00			--
0010	METT00137		FUSE 4A	1,00			--
0011	METT00136		FUSE 3A	3,00			--
0012	MEVR02864		CAP -	4,00			--
0013	VTVT00790		SCREW TSPEI M8X16	3,00			--
0014	LAFN11895		SUPPORT .	2,00			--
0015	ABGO00026		VIBRATION DAMP.	2,00			--
0016	VTVT00832		SCREW TSPEI M6X16 INOX	4,00			--
0017	VTDD01700		NUT M6 INOX+ZIN.	12,00			--
0018	VTDD00530		NUT M8 UNI 5589	2,00			--
0019	MEVR00146		FUSE-HOLDER MEGA	1,00			--
0020	MEVR01925		FUSE 150A	1,00			--
0021	VTRS15146		WASHER GROVER A2 UNI1751	2,00			--
0022	VTDD15521		NUT M 8 INX A2 UNI 5588	2,00			--
0023	VTVT15143		SCREW TE 6X16 UNI5739	6,00			--
0024	MECB02350		WIRING T1581	1,00			--
0025	VTVT00392		SCREW M6x35 UNI5739 inox	2,00			--
0026	MPVR13591		COVERING .	1,00			--

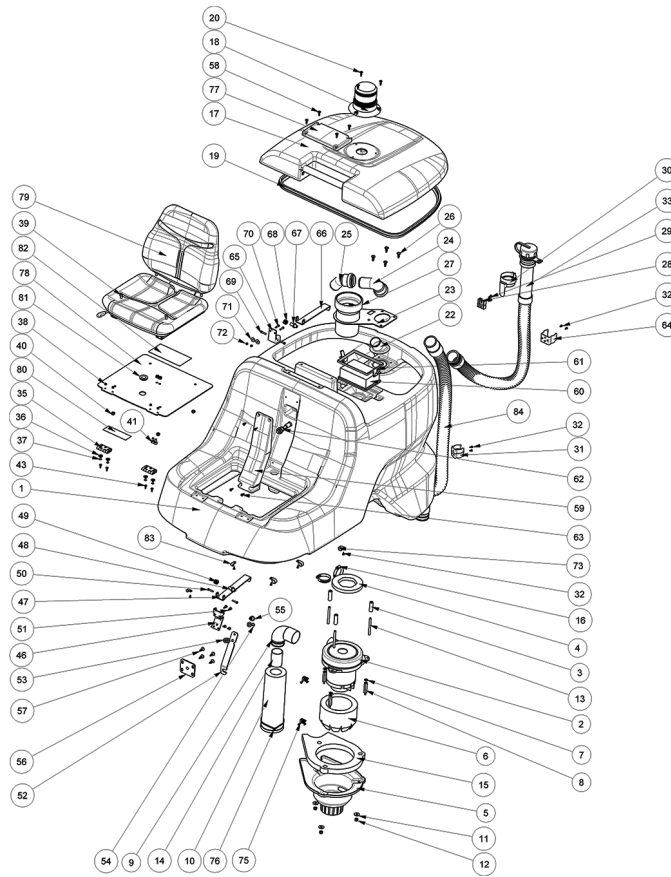




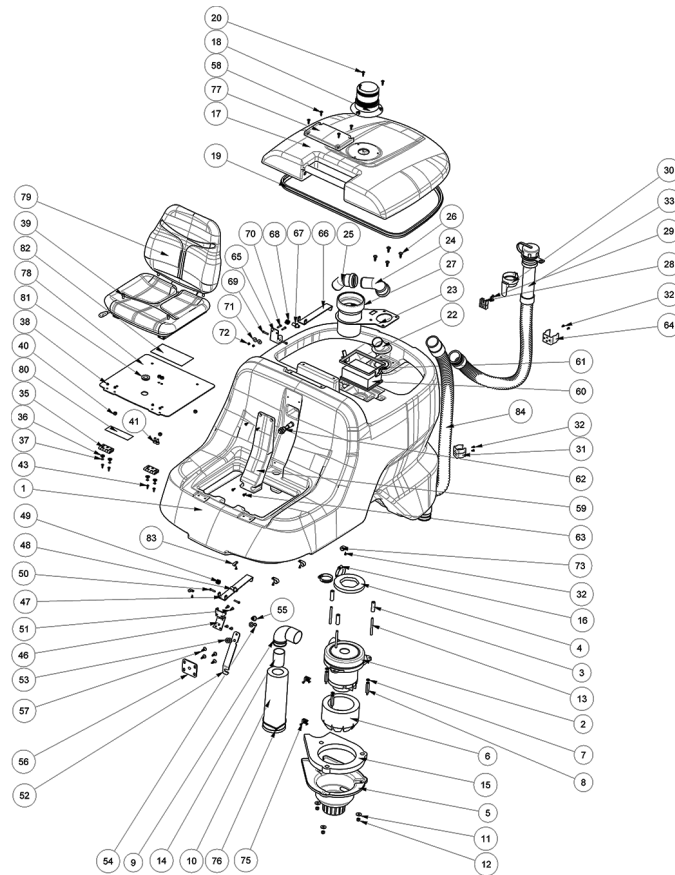
Ref. K	Part n.	Part n. 2	Description	Quantity	Validity		Price
					From	To	
0001	BAAC00113		BATTERY 36V 320A/C5 WITH FILLING	1,00			--
0002	MECB07611		PLUG	1,00			--
0003	MPVR01072		HANDLE SB 175 A	1,00			--
0004	LAFN03840		BUSHING	2,00			--
0005	VTVT15145		SCREW TE 6X40 UNI5739 INX	2,00			--
0006	VTDD01700		NUT M6 INOX+ZIN.	2,00			--



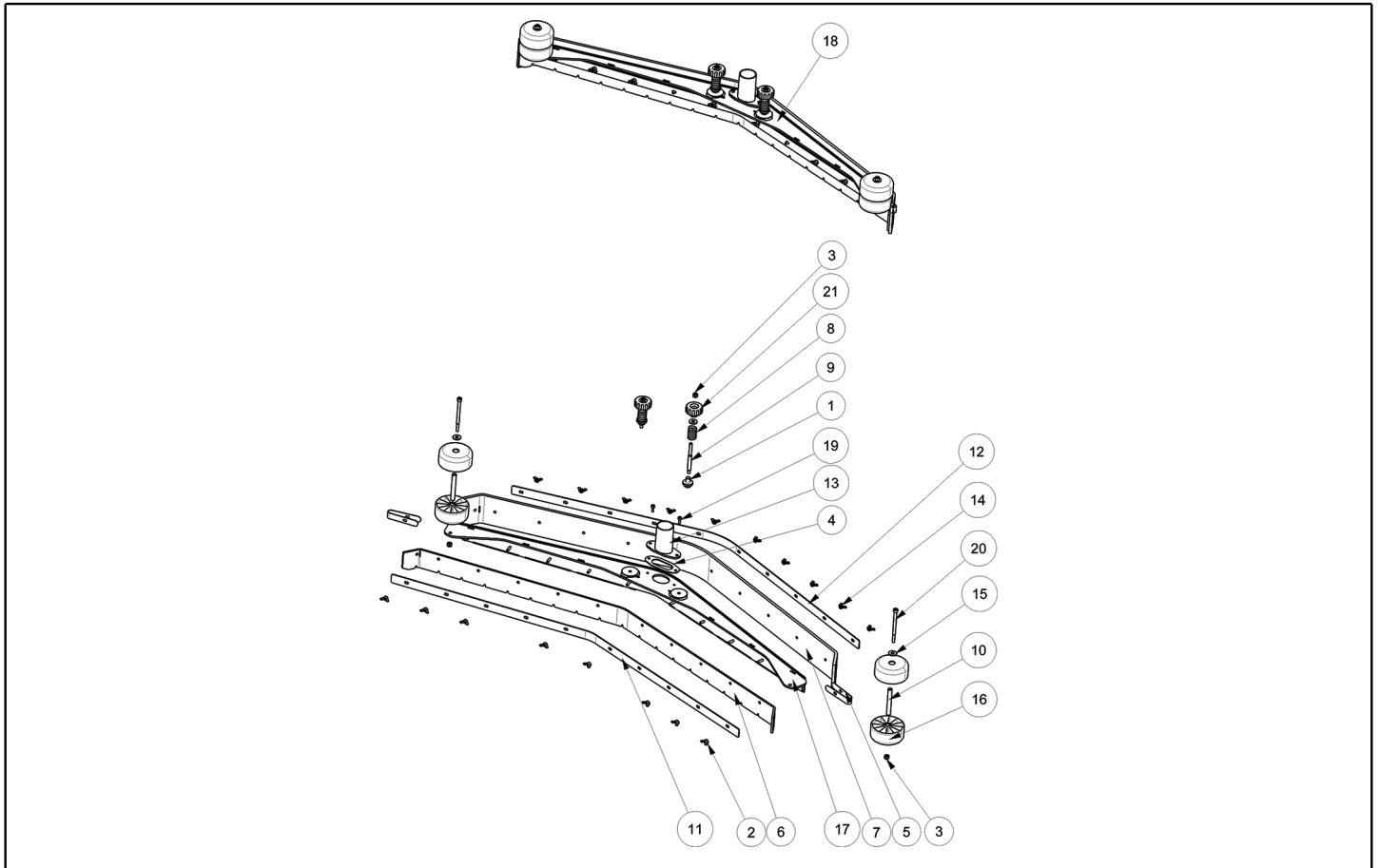
Ref. K	Part n.	Part n. 2	Description	Quantity	Validity		Price
					From	To	
0001	MOCC00385		MOTORWHEEL 36V 1100 W D.300	1,00			--
0002	LAFN11898		PLATE .	1,00			--
0003	LAFN06994		SPACER -	1,00			--
0004	VTRS15523		WASHER D.10 X21 INOX UNI 6592	4,00			--
0005	VTVT01541		SCREW TE M 10x30 INOX UNI5739	4,00			--
0006	LAFN06995		PLATE STEERING	1,00			--
0007	CUVR00187		BEARING -	2,00			--
0008	LAFN08830		BUSHING -	1,00			--
0009	LAFN08829		RING -	1,00			--
0010	PVVR00045		GASKET	1,00			--
0011	LAFN08828		BUSHING -	1,00			--
0012	PVVR00044		GASKET	1,00			--
0013	VTRS00572		WASHER -	1,00			--
0014	VTVR00563		RING NUT -	1,00			--
0015	VTVT13940		SCREW M 6X 20 TSPEI UNI 5933	6,00			--
0016	LAFN11197		SPACER -	2,00			--
0017	LAFN11195		SUPPORT CT160 R	1,00			--
0018	LAFN11196		PIN CT160	1,00			--
0019	MTPL00238		ROLLER CT160	1,00			--
0020	CUVR00192		BUSHING -	2,00			--
0021	VTRS15523		WASHER D.10 X21 INOX UNI 6592	2,00			--
0022	VTVT00411		SCREW TCEI M10x35 UNI5931	2,00			--
0023	MTCR00085		CHAIN 3/8"	1,00			--
0024	CUVR00105		BEARING SB204KDF+PFL204PTN	1,00			--
0025	LAFN07029		SPACER -	1,00			--
0026	VTVR00229		KEY 5X5X12	1,00			--
0027	MTCR00070		PINION ALBERO STERZO P185	1,00			--
0028	LAFN04134		WASHER PIGNONE STERZO	1,00			--
0029	VTRS13947		WASHER D. 8 INX UNI 6592	10,00			--
0030	VTRS15146		WASHER GROVER A2 UNI1751	10,00			--
0031	VTVT01310		SCREW TCEI 8X60 INOX UNI5931	8,00			--
0032	VTVT15916		SCREW TE M 8X 16 UNI 5739 A2	2,00			--
0033	VTVT13936		SCREW TE M 10X 20	4,00			--
0034	VTVT00458		SCREW TE M 10X35 ZINC. UNI 5739	2,00			--
0035	MECI00535		SENSOR -	1,00			--
0036	LAFN03742		SPACER SILENZIATORE	2,00			--
0037	LAFN08836		BRACKET -	1,00			--
0038	VTVT15962		SCREW M 5X 25 TSPEI UNI 5933	2,00			--
0039	MTCR47037		JOINT 3/8 PER CATENA TK 1000	1,00			--
0040	VTVT00717		SCREW TCEI M. 6-16	1,00			--



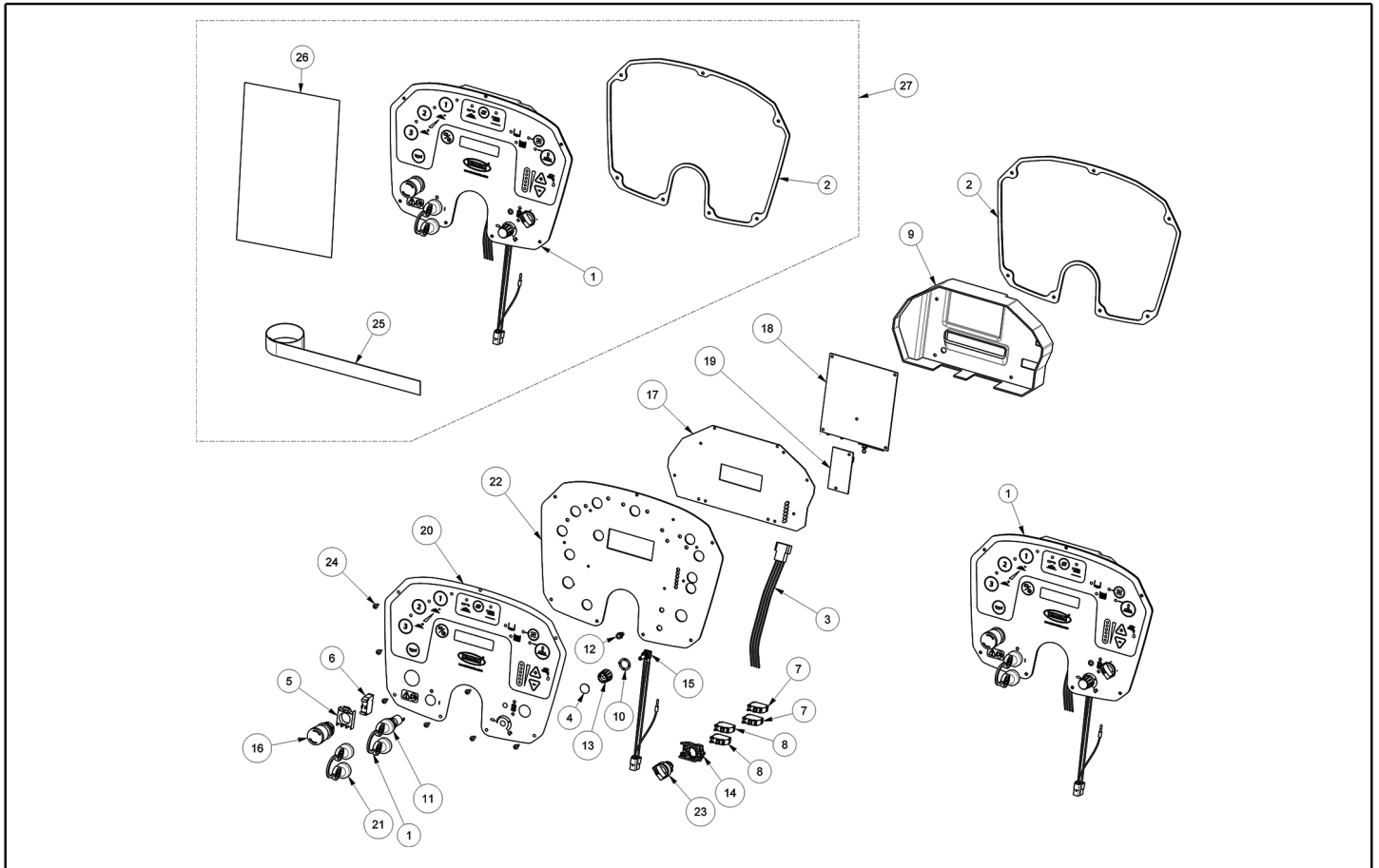
Ref. K	Part n.	Part n. 2	Description	Quantity	Validity		Price
					From	To	
0001	MPVR13529		TANK .	1,00			--
0002	MOCC00495		VACUUM AMETEK BY2 IT DC 650W 36V	1,00			--
0003	LAFN03760		SPACER RUOTA	3,00			--
0004	GUGO00509		GASKET VACUUM MOTOR CT51-71	1,00			--
0005	MPVR13460		CRANKCASE T1081	1,00			--
0006	ITSO00110		SOUND-PROOFING .	1,00			--
0007	VTRS15146		WASHER GROVER A2 UNI1751	3,00			--
0008	LAFN11920		SPACER ES. CH13 F8 M6 H52	3,00			--
0009	MPVR13497		SLEEVE 90°	1,00			--
0010	MPVR07212		SILENCER DOMUS ENKE	1,00			--
0011	VTRS13946		WASHER D. 8 X24 INX UNI 6593	3,00			--
0012	VTDD01701		NUT M8 INOX+ZIN.	3,00			--
0013	VTVR01089		BAR M8X90	3,00			--
0015	ITSO00111		SOUND-PROOFING .	1,00			--
0016	FSVR00033		CLAMP 45-60	2,00			--
0017	MPVR13530		COVER .	1,00			--
0018	MELF00053		FLASHING LIGHT -	1,00			--
0019	GUGO00722		GASKET -	1,00			--
0020	VTVT01591		SCREW STS KN1038 6x20 - T25 A2	3,00			--
0022	MPVR13448		FLANGE T1081	1,00			--
0023	LAFN11884		SUPPORT .	1,00			--
0024	RCVR00764		CONNECTOR -	1,00			--
0025	RCVR00765		CONNECTOR -	1,00			--
0026	VTVT01430		SCREW STS KN1038 8x22 - T40 A2	4,00			--
0027	FTAC00082		FILTER	1,00			--
0028	MPVR11684		JOINT TUBO	1,00			--
0029	VTVT01073		SCREW STS KN1039 6x16 - T25 A2	2,00			--
0030	MPVR13105		HOOK TUBO SCARICO RECUPERO D 5	1,00			--
0031	MPVR46988		CLIP FIXATION DRAIN HOSE	1,00			--
0032	VTVT48694		SCREW TCB TC 5 X12 UNI 9707 TZ	11,00			--
0033	TBBP00487		TUBE DRAIN PU CT230	1,00			--
0035	CEVR00060		HINGE PORTA SEDILE P185	2,00			--
0036	VTRS13947		WASHER D. 8 INX UNI 6592	4,00			--
0037	VTVT01317		SCREW M 5X 12 TSPEI UNI 5933	4,00			--
0038	VTDD01693		NUT M 5 INX	4,00			--
0039	VTVT00779		SCREW TBEI M 8X 16 ISO 7380 IX	4,00			--
0040	VTDD01701		NUT M8 INOX+ZIN.	6,00			--
0041	VTVT00876		SCREW TCEI M.8-16	2,00			--
0043	VTVT01072		SCREW STS KN1038 5x16 - T20 A2	4,00			--
0046	LAFN11886		BRACKET .	1,00			--
0047	LAFN11169		ROD	1,00			--
0048	LAFN11170		BUSHING	1,00			--
0049	MLML00488		SPRING -	1,00			--
0050	VTVT00766		SCREW TE M. 5-25	2,00			--



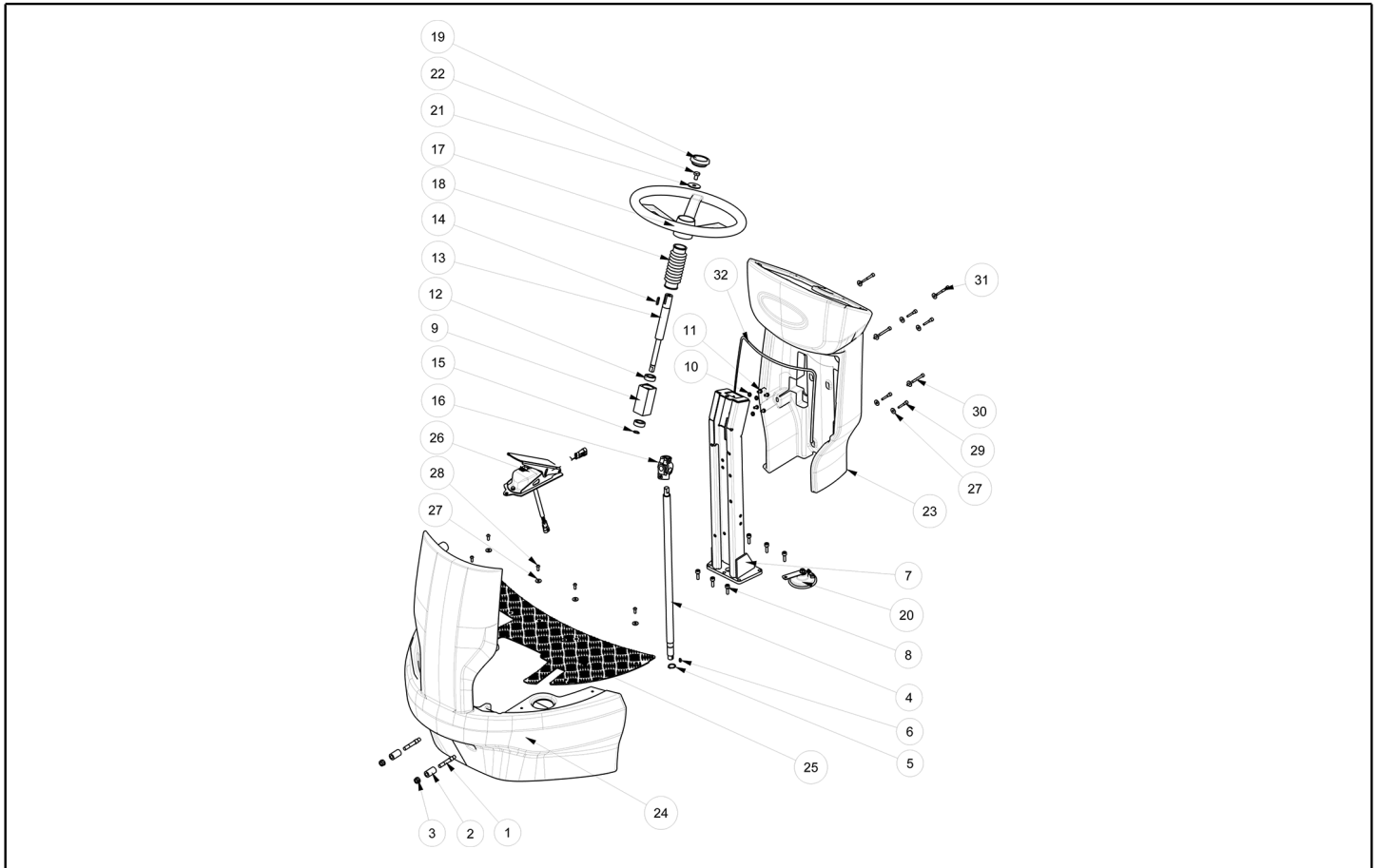
Ref. K	Part n.	Part n. 2	Description	Quantity	Validity		Price
					From	To	
0051	VTVT01073		SCREW STS KN1039 6x16 - T25 A2	4,00			--
0052	LAFN11887		LEVER .	1,00			--
0053	VTRS15523		WASHER D.10 X21 INOX UNI 6592	3,00			--
0054	VTAE87276		SEGER EXT. D10 DIN471	1,00			--
0055	PIVR00025		PISTON .	1,00			--
0056	LAFN11888		LEVER .	1,00			--
0057	VTVT01430		SCREW STS KN1038 8x22 - T40 A2	4,00			--
0058	VTVT01591		SCREW STS KN1038 6x20 - T25 A2	4,00			--
0059	MPVR13538		COVER .	1,00			--
0060	FTDP00880		FILTER .	1,00			--
0061	MPVR13447		FRAME T1081	1,00			--
0062	MECI00516		SENSOR FLOAT WATER TANK	1,00			--
0063	VTVT01072		SCREW STS KN1038 5x16 - T20 A2	4,00			--
0064	FSVR44166		HOSE CLIP D.50	1,00			--
0065	LAFN11889		BRACKET .	1,00			--
0066	LAFN11169		ROD	1,00			--
0067	LAFN11170		BUSHING	1,00			--
0068	MLML00488		SPRING -	1,00			--
0069	VTVT00766		SCREW TE M. 5-25	2,00			--
0070	VTVT07726		SCREW TE 5X20	2,00			--
0071	VTVR00636		WASHER 5x20 UNI6593 INOX	2,00			--
0072	VTDD01693		NUT M 5 INX	2,00			--
0073	FSVR00099		CLAMP FERMATUBO	3,00			--
0075	FSVR00243		BASE CABLE TIE, PLASTIC	2,00			--
0076	FSVR00247		CLAMP 4,5x360	1,00			--
0077	MPVR13537		COVER .	1,00			--
0078	LAFN11885		SHEET METAL PA. .	1,00			--
0079	SESD45981		SEAT SC73 01.01.M4 PER TK1400	1,00			--
0080	ETET17837		LABEL T1581	1,00			--
0081	MEVR00660		FAIR-LEAD	1,00			--
0082	ETET01408		LABEL SCHEMA COLLEG. BATTERIE	1,00			--
0083	MPVR02933		DUCT LOCK D.9,5	2,00			--
0084	TBFX01361		HOSE FLOOR WIPER T1081	1,00			--



Ref. K	Part n.	Part n. 2	Description	Quantity	Validity		Price
					From	To	
0001	LAFN11395		BUSHING SQUEEGEE	2,00			--
0002	VTDD00171		NUT M6 INOX	18,00			--
0003	VTDD01701		NUT M8 INOX+ZIN.	4,00			--
0004	GUGO06700		GASKET SQUEEGEE	1,00			--
0005	MPVR06002		DUCT LOCK FLAP CT230	2,00			--
0006	MPVR05885		BLADE SQUEEGEE FRONT CT230-1420	1,00			--
0007	MPVR05886		BLADE SQUEEGEE REAR LATEX CT230	1,00			--
0008	MLML00502		SPRING SQUEEGEE	2,00			--
0009	LAFN11394		PIN SQUEEGEE	2,00			--
0010	LAFN04127		PIN RULLO PARACOLPI	2,00			--
0011	LAFN08930		BRACKET -	1,00			--
0012	LAFN08931		BRACKET -	1,00			--
0013	LAFN08938		CONNECTOR -	1,00			--
0014	VTRS00245		WASHER D.6 UNI 6592 INOX	18,00			--
0015	VTRS13946		WASHER D. 8 X24 INX UNI 6593	4,00			--
0016	RTRT00510		WHEEL BUMPER RAL7040	4,00			--
0017	LAFN08929		FLOOR WIPER -	1,00			--
0018	KTRI06595		SQUEEGEE T1581 BT105 LINATEX	1,00			--
0019	VTVT00717		SCREW TCEI M. 6-16	2,00			--
0020	VTVT67560		SCREW TCEI M8X110 INOX AISI 304	2,00			--
0021	VTVR00047		HANDWHEEL D.50 M8	2,00			--



Ref. K	Part n.	Part n. 2	Description	Quantity	Validity		Price
					From	To	
0001	MECE00939		BOARD .	1,00			--
0002	GUGO00702		GASKET .	1,00			--
0003	MECB02035		WIRING	1,00			--
0004	MEVR01575		CAP 2202	1,00			--
0005	MECI00583		SMALL BASKET -	1,00			--
0006	MECI00584		CONTACT NC	1,00			--
0007	MEVR02012		CONTACT -	2,00			--
0008	MEVR02039		CONTACT -	2,00			--
0009	MPVR05840		COVER -	1,00			--
0010	MEVR01574		RING NUT 2204	1,00			--
0011	MECI00723		SWITCH KEY	1,00			--
0012	MECB01250		LED	1,00			--
0013	MEVR01573		SMALL KNOB 2200 V6	1,00			--
0014	MEVR02038		SUPPORT -	1,00			--
0015	MEVR02044		POTENTIOMETER 100K	1,00			--
0016	MECI00582		SWITCH EMERGENCY LOVATO LPCB6634	1,00			--
0017	MECE00531		BOARD DISPLAY CT160-CT230	1,00			--
0018	MECE00532		BOARD LOGIC CT160-CT230 CURTIS	1,00			--
0019	MECE00533		BOARD INTERFACE CURTIS-CHEMICAL	1,00			--
0020	ETET17974		LABEL .	1,00			--
0021	MEVR02703		KEY SPARE BATTERY VERSION	1,00			--
0022	LAFN11719		SUPPORT T981	1,00			--
0023	MEVR02011		SELECTOR -	1,00			--
0024	VTVT37012		SCREW M 4X 10 TCB-TC INX	7,00			--
0025	MEVR02709		WRISTBAND ANTI-STATIC	1,00			--
0026	PLDC04564		INSTR.MANUAL .	1,00			--
0027	KTRI06686		KIT CT231	1,00			--



Ref. K	Part n.	Part n. 2	Description	Quantity	Validity		Price
					From	To	
0001	LAFN11919		PIN .	2,00			--
0002	MPVR05631		SPACER PVC	2,00			--
0003	VTDD10310		NUT AUTOBL.M10 INOX DIN 985	2,00			--
0004	LAFN08820		SHAFT -	1,00			--
0005	VTAE06193		CIRCLIP D. 20 UNI 7435	1,00			--
0006	VTVR00229		KEY 5X5X12	1,00			--
0007	LAFN05787		ASSEMBLED PIANTONE	1,00			--
0008	VTVT00639		SCREW TCEI 8X25	6,00			--
0009	LAFN04133		HUB ALBERO STERZO	1,00			--
0010	VTRS00245		WASHER D.6 UNI 6592 INOX	8,00			--
0011	VTVT15906		SCREW TE 6X 12 A2 UNI 5739	4,00			--
0012	CUVR17004		BALL BEARING 6202 -2RS1	2,00			--
0013	LAFN04076		SHAFT STERZO SUPERIORE P185	1,00			--
0014	VTVR33667		KEY UNI 6604 5X5X25	1,00			--
0015	VTAE17003		CIRCLIP ESTERNO DIN 471 D.15	1,00			--
0016	VTVR00057		ARTICULATION STEERING	1,00			--
0017	MPVR01517		STEERING WHEEL	1,00			--
0018	MPVR51068		PROTECTOR STEERING	1,00			--
0019	MPVR47026		CAP PER VOLANTE	1,00			--
0020	MEVR04383		HORN -	1,00			--
0021	VTRS44254		WASHER UNI 6593 10X40X2,5 ZB	1,00			--
0022	VTVT00076		SCREW TE UNI 5739 10X16 ZB	1,00			--
0023	MPVR13533		SIDE PANEL .	1,00			--
0024	MPVR13531		SIDE PANEL .	1,00			--
0025	LAFN11896		PLANE .	1,00			--
0026	PMVR02056		KIT THROTTLE	1,00			--
0027	VTRS13945		WASHER D. 6X18 INX UNI 6593	15,00			--
0028	VTVT00787		SCREW TBEI M 6-16	7,00			--
0029	VTVT00729		SCREW TCEI M. 6-35	4,00			--
0030	VTVT00298		SCREW TCEI M6x70 UNI5931	2,00			--
0031	VTVT00261		SCREW TCEI M 6X50 ZC. UNI 5931	2,00			--
0032	GUVR00635		GASKET FRONT COVER	1,00			--