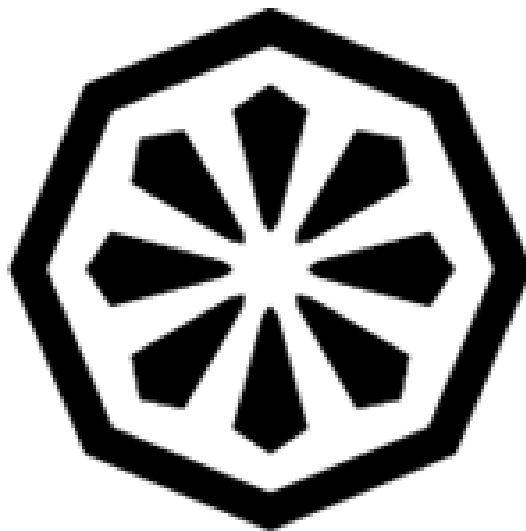




CT50 Automatic Scrubber

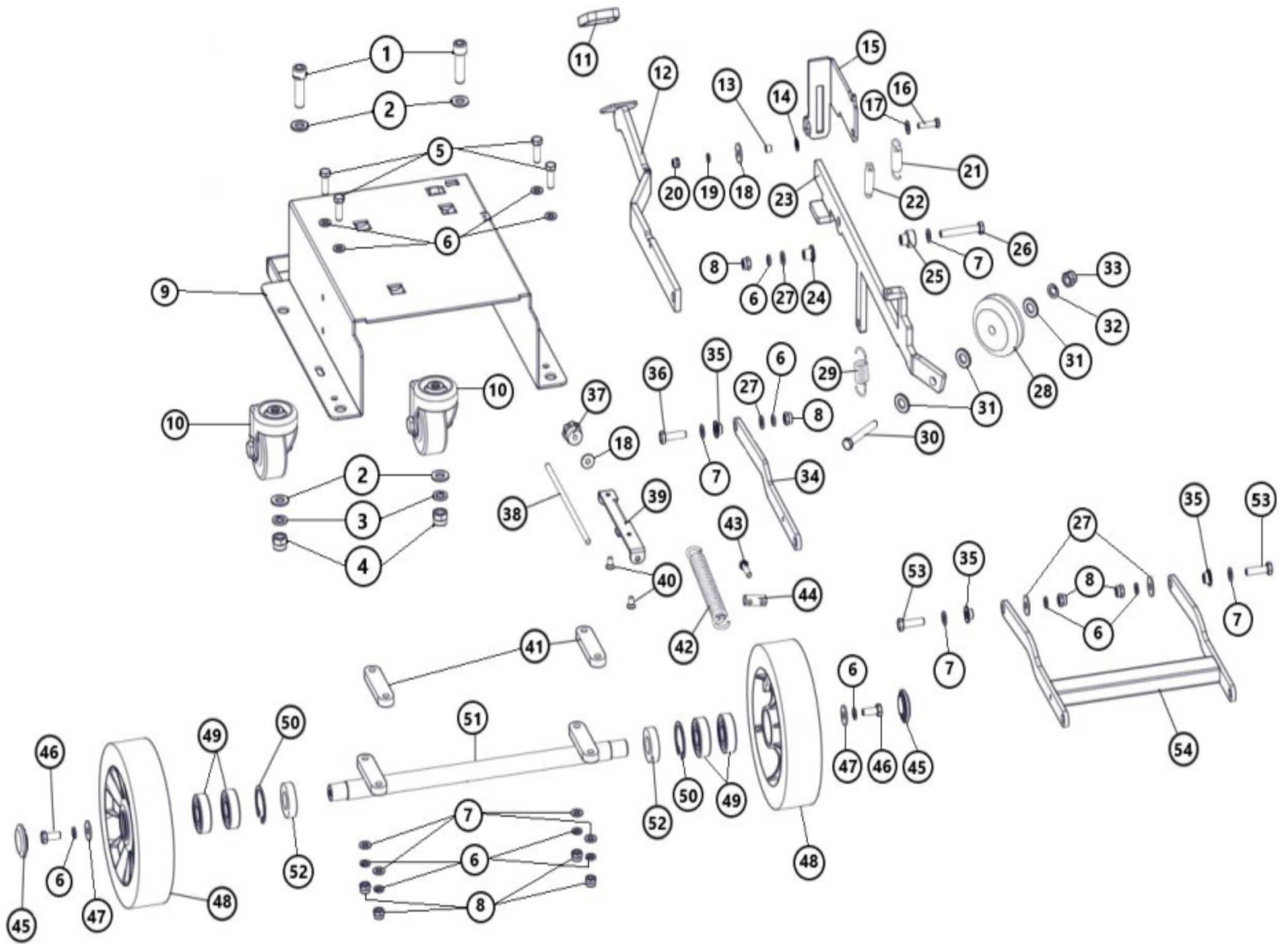
Parts manual



IPC

BY TENNANT COMPANY

Main Frame Group

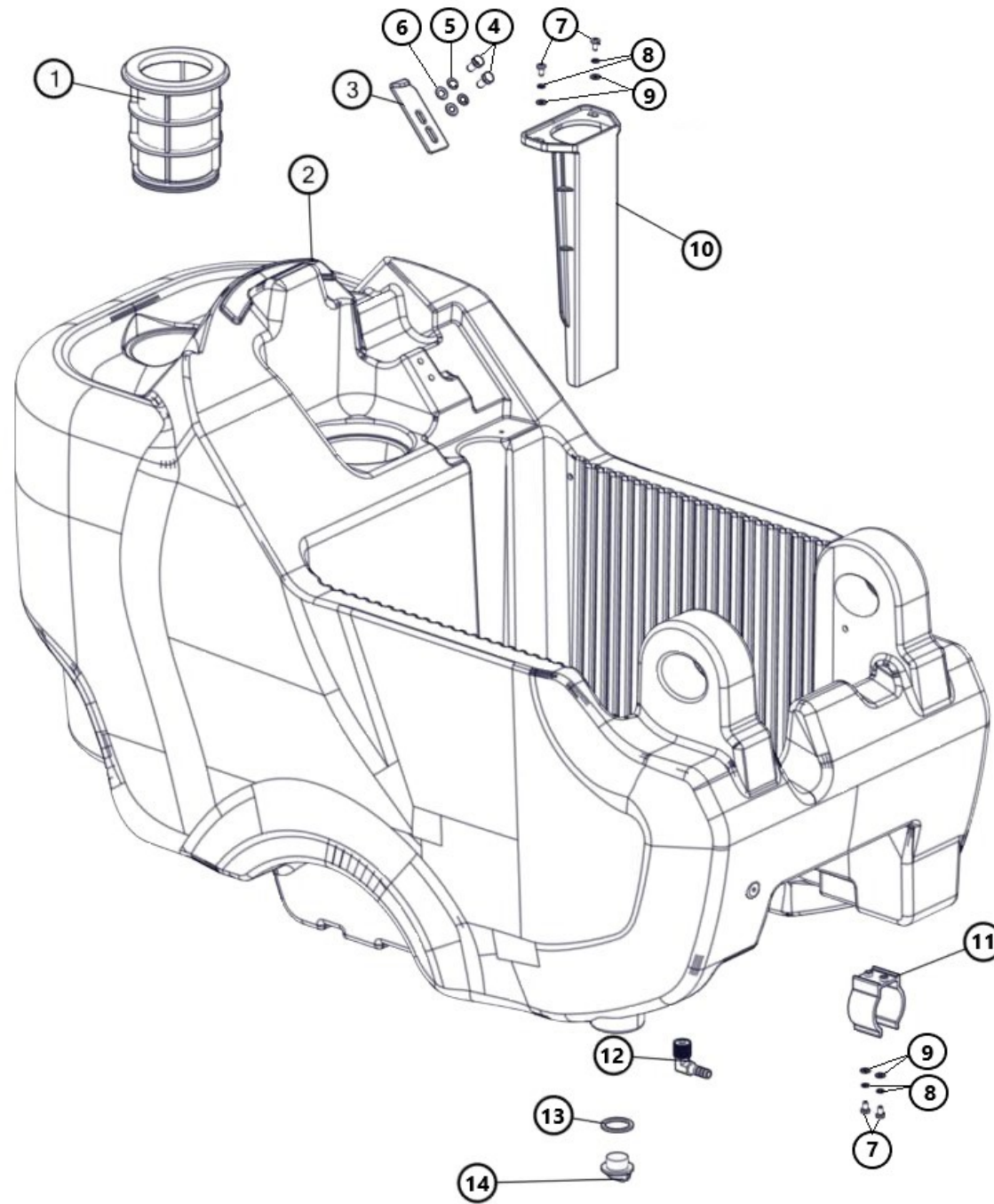


Main Frame Group

Ref.	Part No.	Description	Qty.
1	CN4000115	M12 X 40 Allen Head	2
2	CN4000393	M12 Washer	4
3	CN4000414	M12 Split washer	2
4	09741	NUT, HEX, LOCK, M12 X 1.75, NL, SS	2
5	76570	SCREW, HEX, M8 X 1.25 X 30, 8.8	4
6	CN4000406	M8 Split washer	14
7	CN4000373	M8 Washer	8
8	08713	NUT, HEX, LOCK, M8 X 1.25, NL, SS	8
9	CN5005189	GM50 baseplate assembly	1
10	CN4000699	GM50B universal wheel	2
11	CN4000765	GM50B foot pedal cover	1
12	TN5100025	CT50 foot lever arm	1
13	CN5001326	GM50B brush plate adjustment bushing	1
14	CN4000680	GM50B tetrafluorogen gasket (thick)	1
15	CN5000029	GM50B brush plate adjustment fixed plate	1
16	09007	SCREW, HEX, M6 X 1.00 X 25, SS	1
17	CN4000370	M6 washer	1
18	01684	WASHER, FLAT, 0.27B 0.69D .05, SS	2
19	CN4000405	M6 split washer	1
20	08712	NUT, HEX, LOCK, M6 X 1.00, NL, SS	1
21	CN5001209	50B brush disc adjustment tension spring	1
22	CN5001210	GM50B brush plate lifting pedal spring	1
23	CN5000046	GM50B forearm lever B(short height)	1
24	CN5000795	GM50B brush disc lifting pedal copper	1
25	CN5000791	GM50B Forearm lever copper bushing Outer	1
26	CN4000190	M8 X 55 hex bolt	1
27	CN4000374	M8 Washer	4

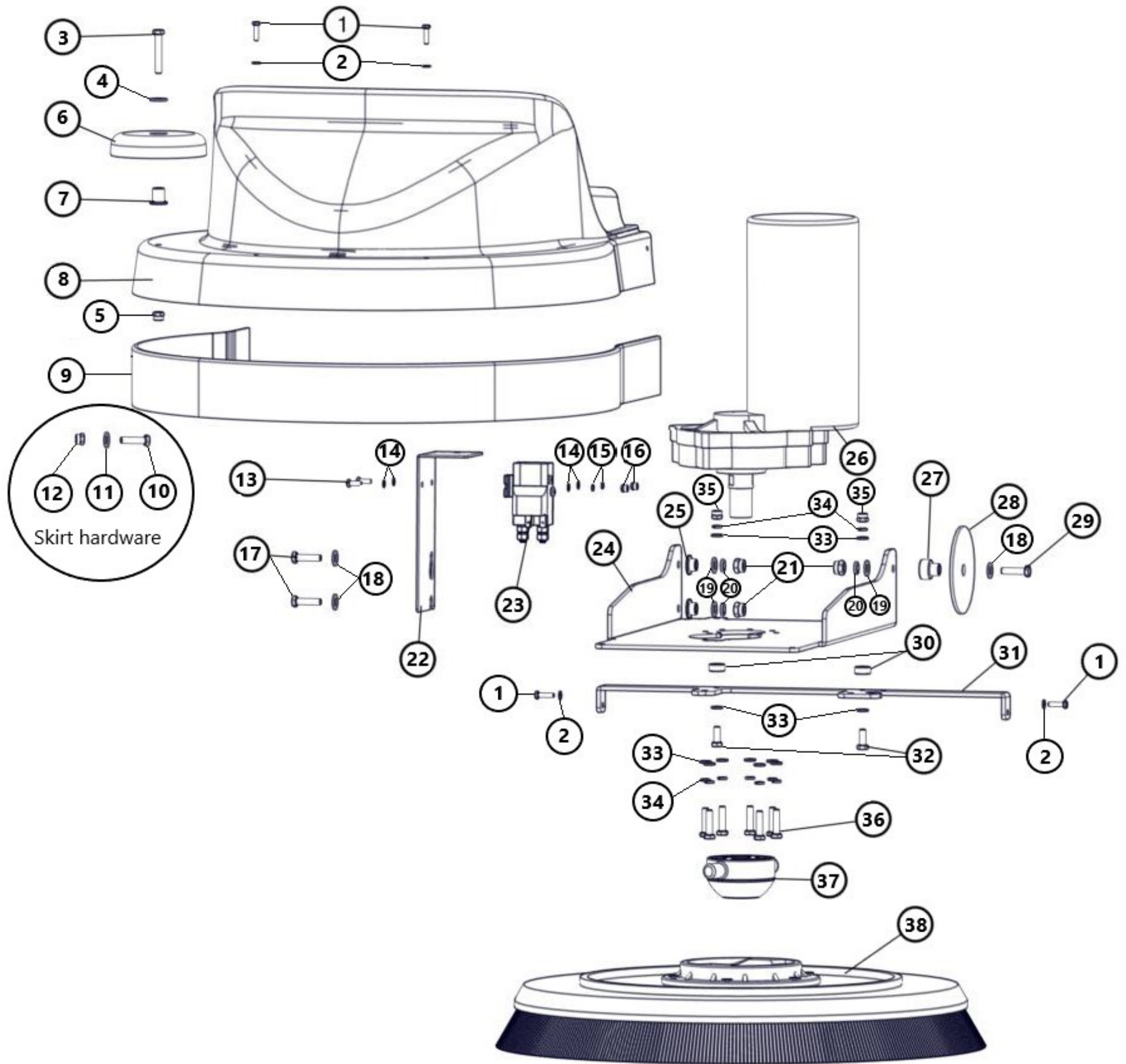
Ref.	Part No.	Description	Qty.
28	CN4000712	50B universal wheel single wheel	1
29	CN5001208	GM50B high and low spring press wheel	1
30	CN4000192	M10 X 65 outer Hex bolt	1
31	140036	WASHER .375 FLAT SAE SS	3
32	CN4000407	M10 split washer	1
33	08714	NUT, HEX, LOCK, M10 X 1.5, NL, SS	1
34	CN5000021	GM50B motor connector, GM50B	1
35	CN5000796	GM50B motor connection copper bushing	3
36	09010	SCREW, HEX, M8 X 1.25 X 25, SS	1
37	CN4000788	M6 square nut	1
38	CN4000463	M6 X 200 screw	1
39	CN5004747	Support Angle	1
40	CN4000123	M6 X 10 countersunk hexagon socket head	2
41	CN5000369	GM50B axle pad	2
42	CN5001207	GM50B adjustment spring	1
43	15678	SCREW, HEX, M6 X 1.00 X 16, SS	1
44	CN5004746	Tension spring pin	1
45	CN5002055	70BT die-cast aluminum alloy wheel decor	2
46	09740	SCREW, HEX, M8 X 1.25 X 20, SS	2
47	CN4000375	M8 extra-large washer	2
48	CN5002310	50B die-cast aluminum alloy rear wheel	2
49	CN4000522	Waterproof bearing	4
50	CN4000499	φ 42 mm hole, snap ring	2
51	CN5001031	GM50B axle, weld material with two bond	1
52	CN4000673	Oil seal φ 42X φ 22X11	2
53	09010	SCREW, HEX, M8 X 1.25 X 25, SS	2
54	CN5000016	GM50B motor connection bracket, GM50B	1

Solution Tank Group



Ref.	Part No.	Description	Qty.
1	CN5003606	GM50B water filter	1
2	CN5002673	R50B clean water tank 50L(dark grey)	1
3	CN5000031	GM50B Recovery tank assistant handle	1
5	CN4000068	M6 X 12 Hex Bolt	2
5	CN4000405	M6 Split washer	2
6	CN4000370	M6 Washer	2
7	CN4000038	M4 X 12 large pan head cross	4
8	CN4000403	The M4 Split washer	4
9	CN4000367	M4 Washer	4
10	CN5005994	Motor injection duct	1
11	CN5001942	GM50B Drain hose support	1
12	CN5001384	Fitting, G1/8 external 90°	1
13	CN4000692	Drain plug gasket	1
14	CN5002104	Water tank drain plug	1

Scrub Head Group

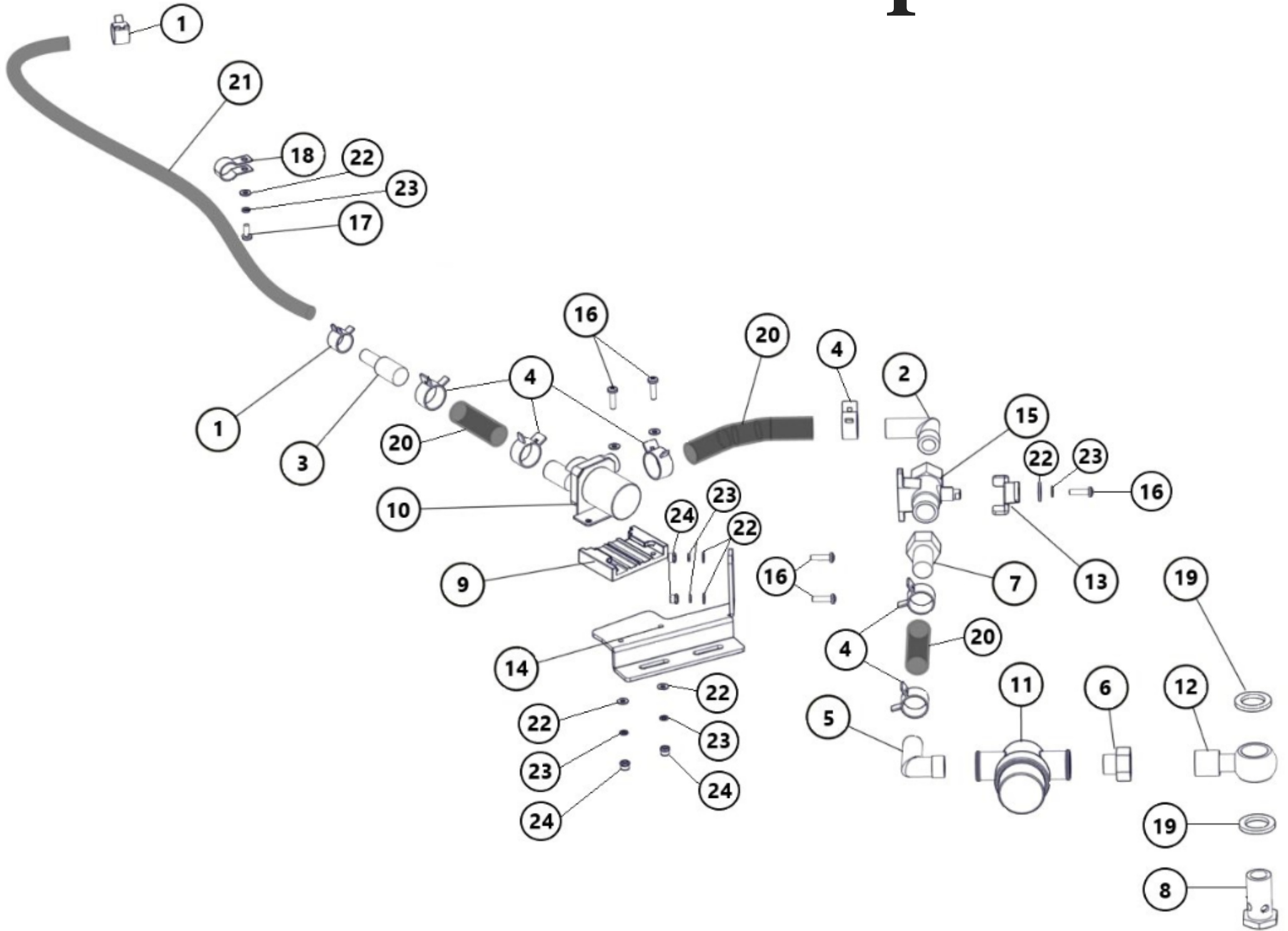


Scrup Head Group

Ref.	Part No.	Description	Qty.
1	CN4000052	The M4 x 16mm hex	4
2	41579	WASHER, FLAT, 08, SS	4
3	CN4000066	M6 x 30mm Hex Bolt	1
4	01684	WASHER, FLAT, 0.27B 0.69D .05, SS	1
5	08712	NUT, HEX, LOCK, M6 X 1.00, NL, SS	1
6	CN5001941	BM50B guide wheel	1
7	CN5001936	GM50B guide wheel bushing outer	1
8	CN5002795	GM50B Waterproof Skirt Brush Cover	1
9	CN5002609	GM50B waterproof skirt hem, 1250mm	1
10	CN4000167	M6 x 20mm flat cross	7
11	01684	WASHER, FLAT, 0.27B 0.69D .05, SS	7
12	CN4000344	M6 cover nut	7
13	CN4000038	M4x12 mm large pan head cross	2
14	41579	WASHER, FLAT, 08, SS	4
15	CN4000403	The M4 split washer	2
16	33932	NUT, HEX, LOCK, M4 X 0.70, NL, SS	2
17	09023	SCREW, HEX, M8 X 1.25 X 35, FL, SS	2
18	CN4000374	M8 spacer washer	3
19	CN4000373	M8 washer	3

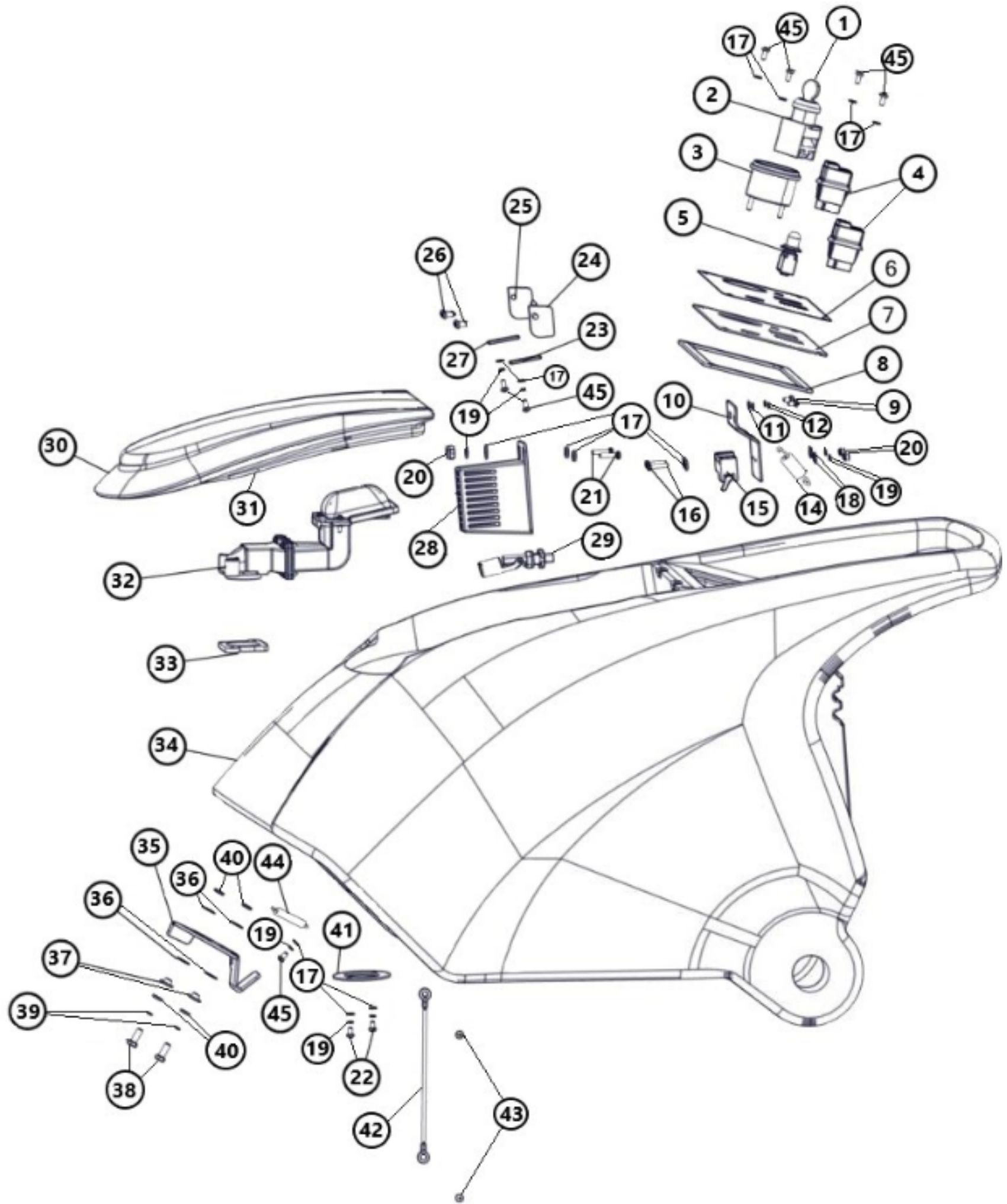
Ref.	Part No.	Description	Qty.
20	CN4000406	M8 split washer	3
21	08713	NUT, HEX, LOCK, M8 X 1.25, NL, SS	3
22	CN5006630	plate,DC contactor mounting [RE50B]	1
23	CN5001703	New dc contactor sw60-40p	1
24	CN5000015	GM50B motor mounting plate, GM50B	1
25	CN5000796	GM50B motor connection copper bushing	2
26	CN5002409	GM50B brush motor	1
27	CN5000791	GM50B Forearm lever copper bushing Outer	1
28	CN5002222	GM50/GM50B forearm lever shock pad	1
29	74440	SCREW, HEX,M8 X 1.25 X 40, NL, SS	1
30	CN5001938	GM50B brush disc cover liner outside	2
31	CN5000032	GM50B dust shield bracket, GM50B	1
32	CN4000067	M6 x 35 hex	2
33	CN4000370	M6 washer	11
34	CN4000405	M6 split washer	9
35	08712	NUT, HEX, LOCK, M6 X 1.00, NL, SS	2
36	15678	SCREW, HEX, M6 X 1.00 X 16, SS	7
37	TN5100023	CT50 aluminum brush buckle	1
38	CN5002521	50/50B brush 480mm	1

Hose Group



Ref.	Part No.	Description	Qty.	Ref.	Part No.	Description	Qty.
1	CN5004738	13 clamp	2	13	CN5004727	GM50B water switch handle	1
2	CN5001436	Fitting, G1/2 90° elbow	1	14	CN5004729	56BT solenoid valve holder	1
3	CN5004737	Fitting, 14.2 to 7.9 plastic	1	15	CN5004736	Ball valve	1
4	CN5004739	20 clamp	6	16	CN4000036	M4 X 16 mm large pan head cross	5
5	CN5004734	Fitting, 90° elbow	1	17	CN4000040	M4 X 10 mm large pan head cross	1
6	CN5004733	Fitting, Three to four reducer	1	18	CN4000020	Ganizational 12mmR type wire clamp	1
7	CN5004735	Fitting, M4 X HB connection	1	19	CN4000692	Ganizational ϕ 20.9 rubber gasket	2
8	CN5005417	50B outlet fixing joint	1	20	CN5004321	ϕ 15X ϕ 21 braided silicone tube	3
9	CN5004720	56BT electromagnetic Bracket	1	21	CN5002865	ϕ 8X ϕ 12 transparent silicone tube	1
10	CN5003085	GM110BT solenoid valve harness assembly	1	22	41579	WASHER, FLAT, 08, SS	6
11	CN5004741	0000B filter (80 mesh)	1	23	CN4000403	The M4 split washer	6
12	CN5003602	Fitting, GM50B hollow gong	1	24	33932	NUT, HEX, LOCK, M4 X 0.70, NL, SS	4

Recovery Tank Group 1

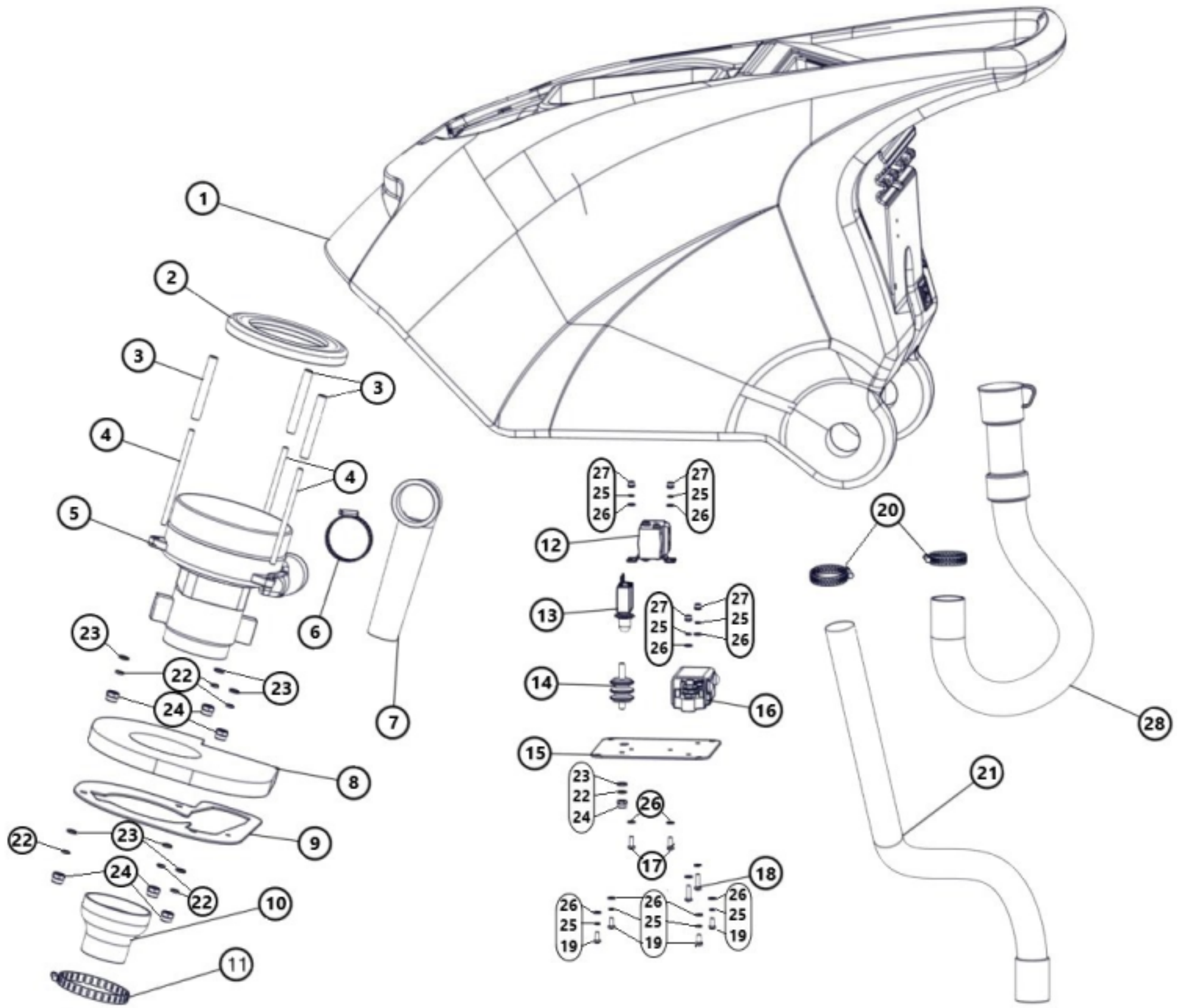


Recovery Tank Group 1

Ref.	Part No.	Description	Qty.
1	CN5001555	Key Only	1
2	CN5001518	GM50B general power switch	1
3	CN5001671	GM50B battery gauge 24V	1
4	CN5001515	GM50B brush and suction power switch	2
5	CN5001643	5A protector (with waterproof cap)	1
6	CN5003800	R50B panel labeling	1
7	CN5000023	GM50B control panel, GM50B	1
8	CN5003627	GM50B control panel gasket	1
9	CN4000056	ST5 X 16 mm pan head cross attack	2
10	CN5000026	GM50B motor switch mounting plate	1
11	140011	WASHER, FLAT, 0.21B 0.45D .03, SS	2
12	CN4000404	The M5 Split washer	2
14	CN5001214	GM50B drive switch handle spring	1
15	CN5001533	GM50B chint micro switch, yblxw-5/11n1	1
16	33931	SCREW, PAN, PHL, M4 X 0.70 X 30, SS	2
17	41579	WASHER, FLAT, 08, SS	14
18	CN4000367	M4 Washer	2
19	CN4000403	The M4 Split washer	7
20	33932	NUT, HEX, LOCK, M4 X 0.70, NL, SS	2
21	CN4000036	M4 X 16 mm large pan head cross	2
22	CN4000044	M4 X 20 mm large pan head cross	2
23	CN5000801	R50B black lid hinge right gasket	1

Ref.	Part No.	Description	Qty.
24	CN5000799	R50B black lid right hinge	1
25	CN5000798	R50B black square cover left hinge	1
26	CN4001077	ST4 X 12 mm cross head self-attack	2
27	CN5000800	R50B black lid hinge left gasket	1
28	CN5001931	GM50B sensor cover	1
29	CN5003092	GM50B Recovery sensor wire harness	1
30	CN5002731	R50B Recovery tank cover	1
31	CN5003686	Running back cover seal strip black	1
32		See Recovery tank filter assembly breakdown	1
33	CN5002213	GM50B strainer pad for sewage tank	1
34	CN5006514	TANK, SOLTN, APPLE GREEN R50B 10.3kg	1
35	CN5000027	GM50B Recovery tank main handle, GM50B	1
36	CN4000681	GM50B tetrafluorin gasket (thin)	4
37	CN5000794	GM50B Recovery tank main handle bushing	2
38	15678	SCREW, HEX, M6 X 1.00 X 16, SS	2
39	CN4000405	M6 Split washer	2
40	01684	WASHER, FLAT, 0.27B 0.69D .05, SS	4
41	CN5000048	GM50B Strainer pad for recovery tank	1
42	CN4000777	Recovery tank wire strap	1
43	367770	SCREW, PAN, PHL, M6 X 1.00 X 16, SS	2
44	CN5001212	GM50B Recovery tank main handle spring	1
45	CN4000040	M4 X 10 mm large pan head cross	7

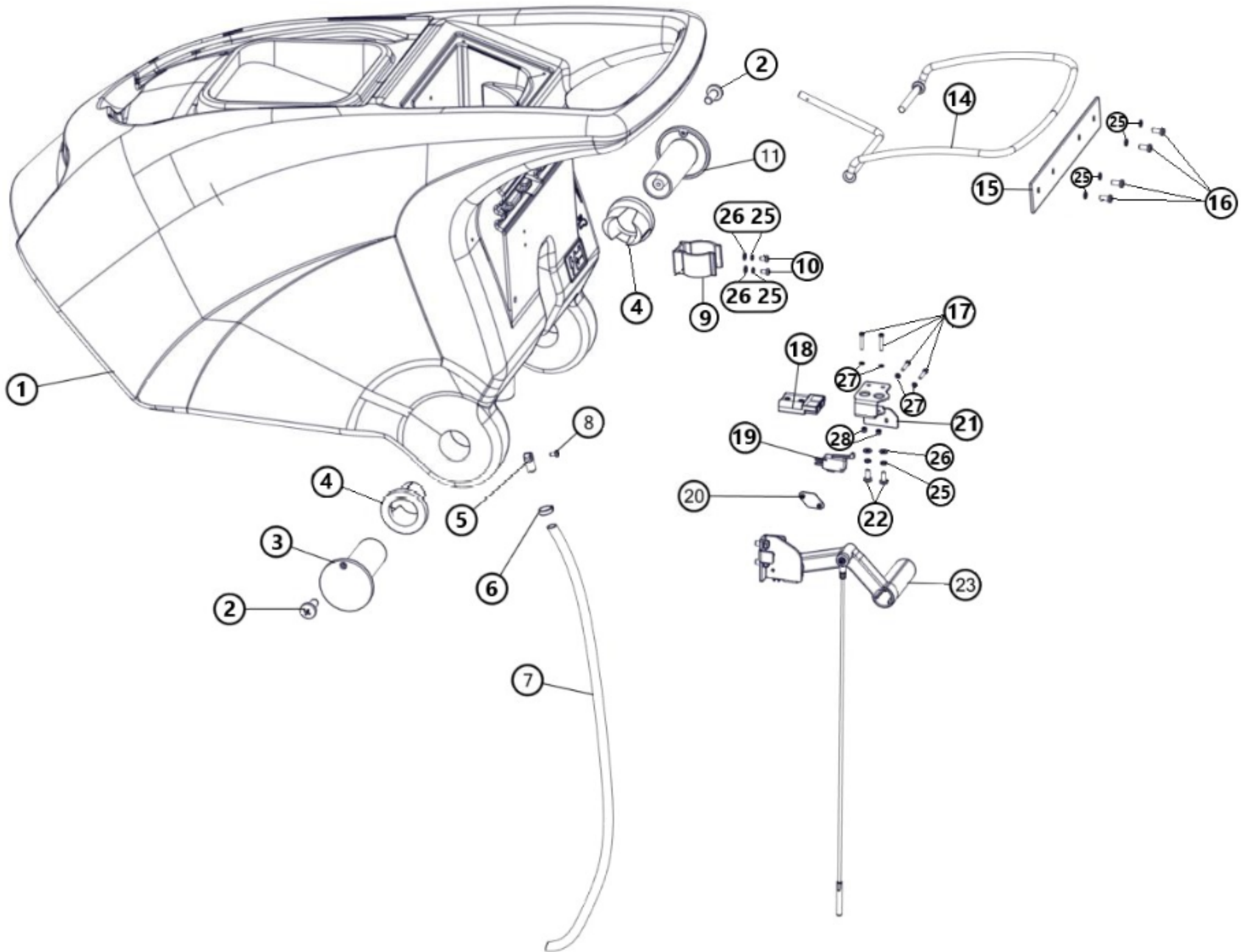
Recovery Tank Group 2



Recovery Tank Group 2

Ref.	Part No.	Description	Qty.
1	CN5006514	TANK, SOLTN, APPLE GREEN R50B 10.3kg	1
2	CN5002214	GM50B vacuum motor bottom pad	1
3	CN5001376	GM50B two-layer motor mounting solenoid	3
4	CN4000458	GM50B two-layer vacuum motor screw	3
5	CN5002458	GM50B two-layer vacuum motor	1
6	CN4000004	φ 27-51 Adjustable hose clamp	1
7	CN5002216	GM50B vacuum motor exhaust duct	1
8	CN5003626	non-self adhesive silencing cotton	1
9	CN5000022	GM50B vacuum motor dust shield	1
10	CN5002215	GM50B vacuum motor suction hood	1
11	CN4000005	φ 70-90 Adjustable hose clamp	1
12	CN5001703	DC contactor sw60-40p	1
13	CN5001653	30A Breaker including waterproof cap	1
14	CN5001698	Insulated pile head GM110	1
15	CN5006629	plate,electric fixing [RE50B]	1
16	CN5001636	100A box with strip fuse	1
17	CN4000038	M4 x 12 large pan head cross	2
18	CN4000036	M4 x 16 large pan head cross	2
19	CN4000040	M4 x 10 large pan head cross	4
20	CN4000009	φ 33-57 Adjustable hose clamp	2
21	CN5002836	Suction hose	1
22	CN4000405	M6 Split washer	7
23	CN4000370	M6 Washer	7
24	08712	NUT, HEX, LOCK, M6 X 1.00, NL, SS	7
25	CN4000403	The M4 Split washer	8
26	41579	WASHER, FLAT, 08, SS	10
27	CN4000323	M4 self-locking nut	4
28	CN5002833	Recovery tank drain hose	1

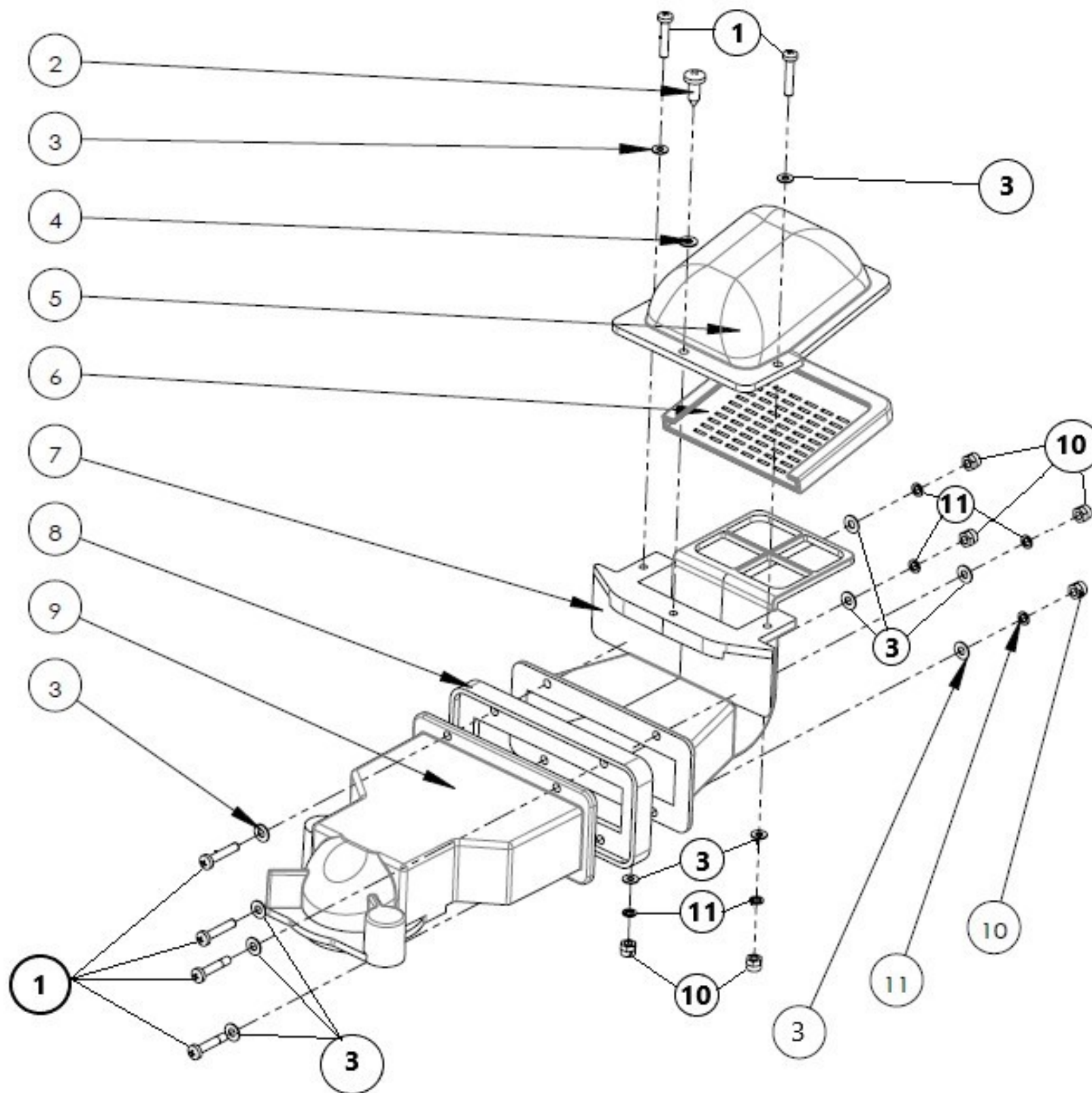
Recovery Tank Group 3



Recovery Tank Group 3

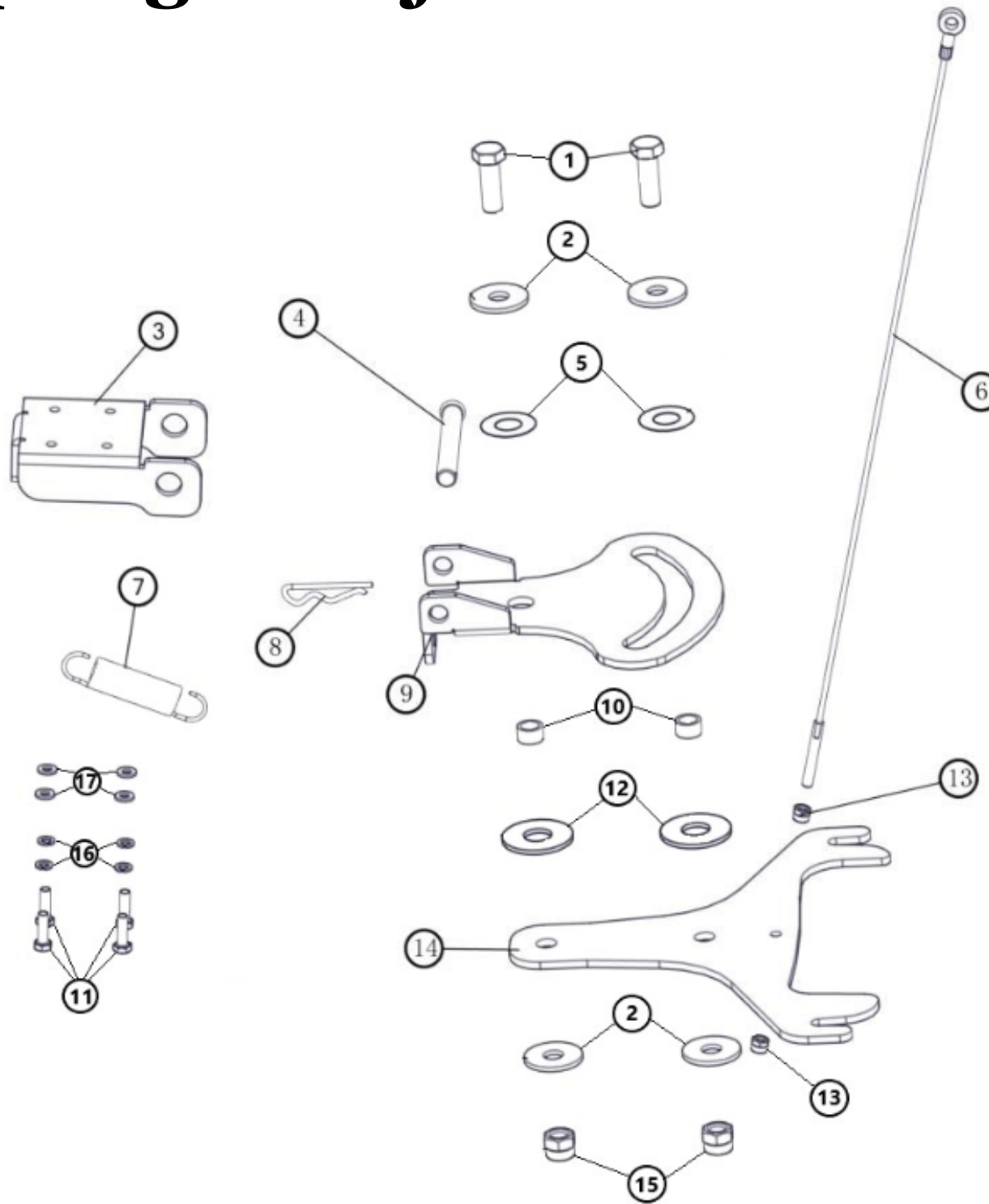
Ref.	Part No.	Description	Qty.
1	CN5006514	TANK, SOLTN, APPLE GREEN R50B 10.3kg	1
2	CN4000048	ST4 x 10 mm cross attack	2
3	CN5001925	cabinet connection decorative cover	1
4	CN5001924	box with decorative cover bushing	2
5	CN5002029	Plug, pipe fixed joint	1
6	CN4000012	Plug 12.8 spring clamp	2
7	CN5002860	PVC transparent hose	1
8	CN4000052	The M4 x 16 mm hex	1
9	CN5001942	GM50B Drain hose support	1
10	CN4000038	M4 x 12 mm large pan head cross	2
11	CN5001947	cabinet connection decorative cover	1
12	08712	NUT, HEX, LOCK, M6 X 1.00, NL, SS	3
13	CN5000036	GM50B water handle	1
14	CN5000034	GM50B drive switch handle	1
15	CN5000024	GM50B switch arm cover plate	1
16	CN4000052	The M4 x 16 mm hex	4
17	CN4001133	M3 x 20 mm big pan head cross	4
18	CN5003045	R50B Anderson connector	1
19	TN5100004	SWITCH, MIRCRO CH16Z-A200	1
20	1013705	PLATE, THREAD, SWITCH, M3 NUT, 96HR PL	1
21	TN5100021	CT50 charging microswitch fixing plate	1
22	CN4000040	M4 x 10 mm large pan head cross	2
23		See Squeegee Lift Group assembly	1
24	CN5002145	Water level tube float, 6mm red	1
25	CN4000403	The M4 Split washer	4
26	41579	WASHER, FLAT, 08, SS	8
27	CN4000365	M3 Washer	4
28	CN4000321	M3 self-locking nut	2

Recovery Tank Filter Assembly



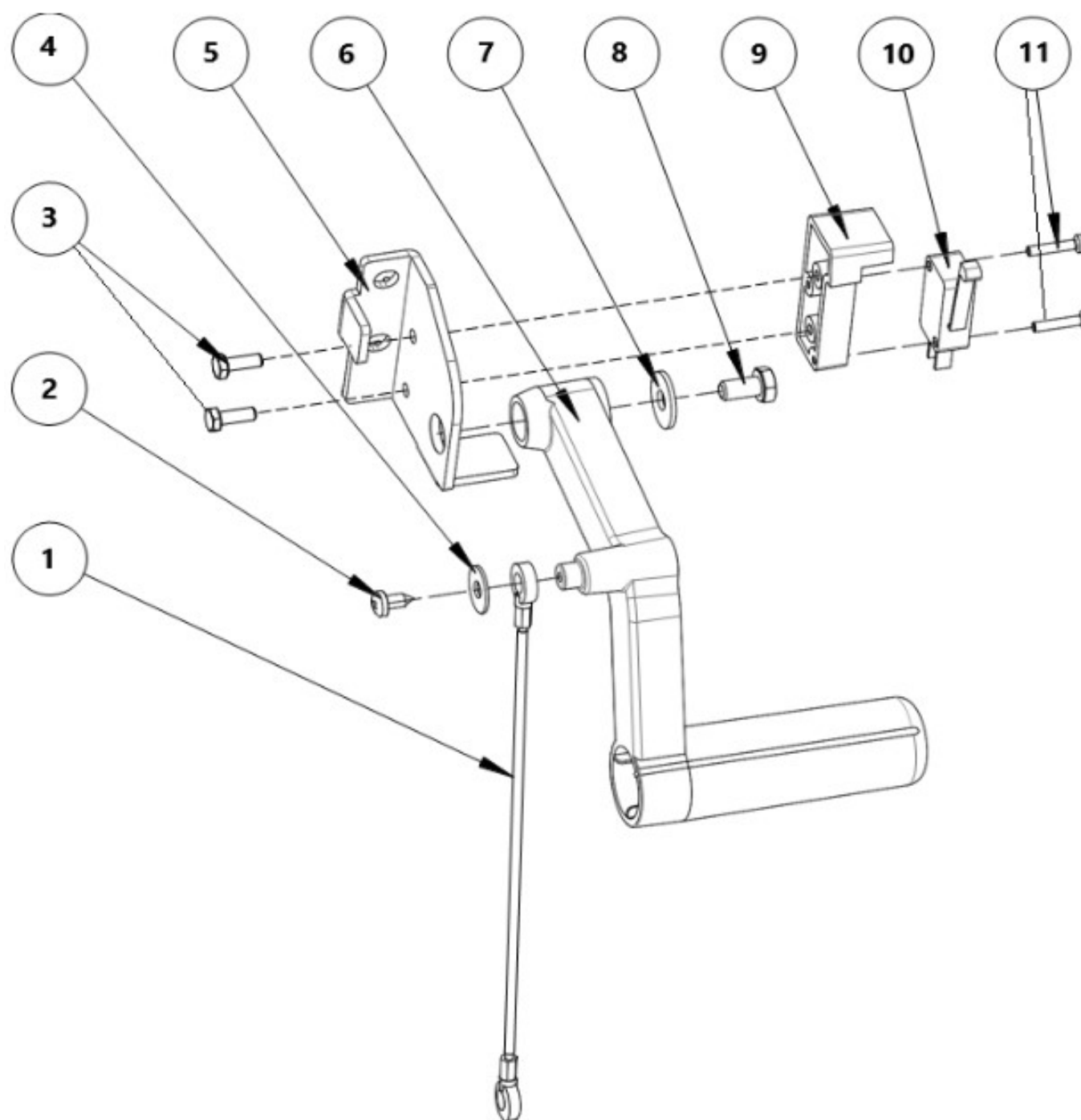
Ref.	Part No.	Description	Qty.
1	CN4000031	M3 x 16mm pan head cross	6
2	CN4000049	ST4x12 mm pan head cross attack small head	1
3	CN4000365	M3 Washer	12
4	41579	WASHER, FLAT, 08, SS	1
5	CN5002031	GM50B Recovery tank filter screen cover	1
6	CN5002030	GM50B recovery tank filter screen cover	1
7	CN5001927	GM50B Recovery tank filter front duct	1
8	CN5002255	50B Recovery tank filter assembly leather	1
9	CN5001946	GM50B screen installation base	1
10	579211	NUT, HEX, LOCK, M3 X 0.50, NL, SS	6
11	CN4000402	The M3 spring washers	6

Squeegee Adjustment Group



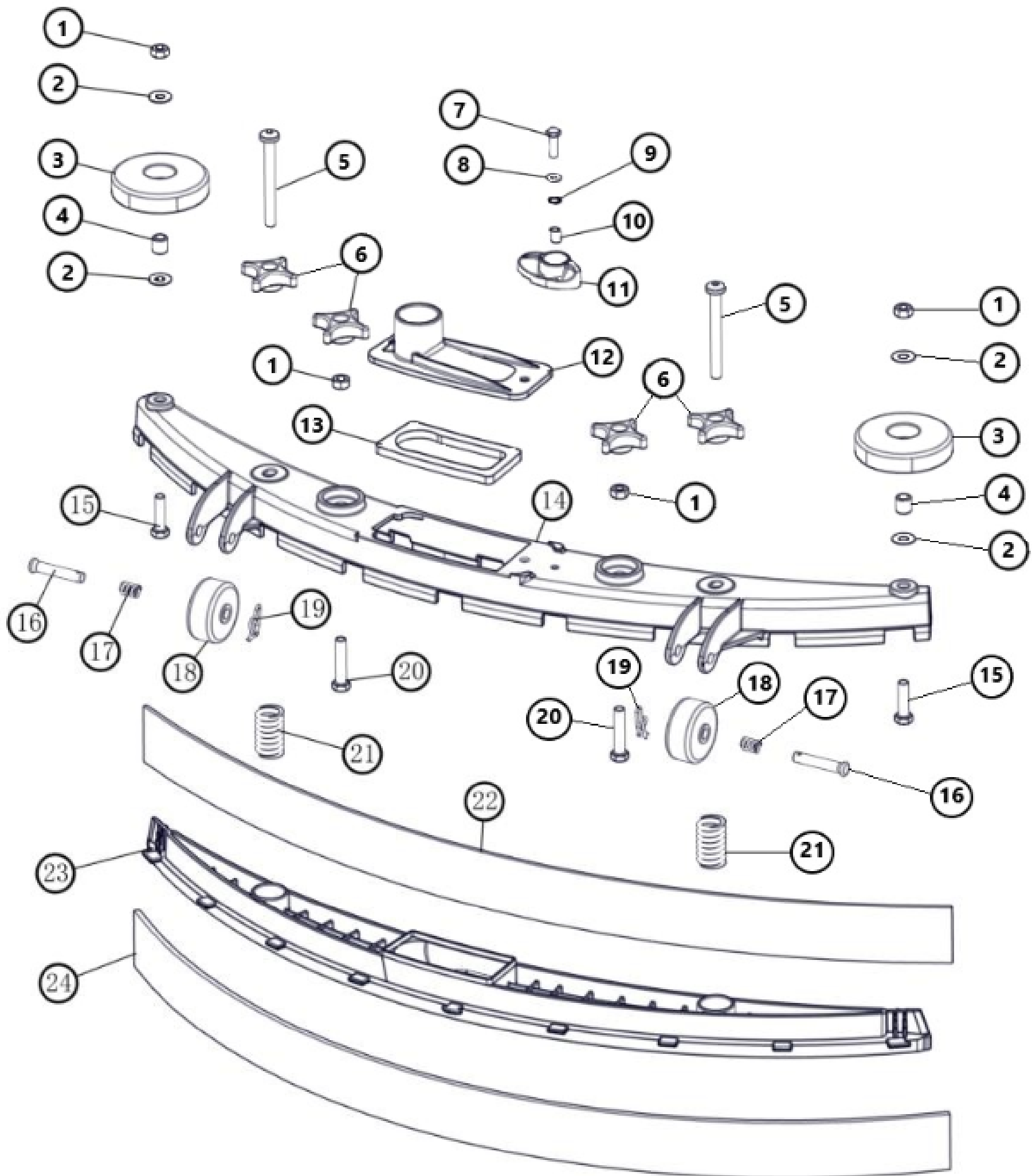
Ref.	Part No.	Description	Qty.
1	CN4000316	M12 x 35 mm hex	2
2	32493	WASHER, FLAT, 0.56B 1.38D .11, STL, PL	4
3	TN5100024	CT50 charging connector plate	1
4	CN5004731	Pin 12 x 100 mm	1
5	CN4001004	17X35X0.5 tetrafluorin gasket	2
6	TN4100222	CT50 Squeegee lift cable	1
7	TN5100026	Suction Spring, CT50	1
8	CN4000904	Hitch pin clip 2 x 40mm	1
9	CN5006094	45B suction and scrape fixed plate	1
10	CN5006098	45B suction and pick sleeve	2
11	CN4000064	M6 x 20 hex mm	4
12	CN5004742	18x45x3 teflon gasket	2
13	08712	NUT, HEX, LOCK, M6 X 1.00, NL, SS	2
14	CN5006237	plate,angle bracket,squeegee [T260]	2
15	CN4000335	M12 self-locking nut	2
16	CN4000405	M6 Split washer	4
17	CN4000370	M6 Washer	4

Squeegee Lift Group



Ref.	Part No.	Description	Qty.
1	TN4100222	CT50 Squeegee lift cable	1
2	CN4000048	ST4x10 cross attack	1
3	CN4000051	The M4 x 12 hex	2
4	01683	WASHER, FLAT, 10, SS	1
5	CN5000028	GM50B suction lifting bracket	1
6	CN5001932	GM50B suction lifting handle	1
7	01684	WASHER, FLAT, 0.27B 0.69D .05, SS	1
8	CN4000068	M6 x 12 hex	1
9	CN5000030	GM50B microswitch mounting plate	1
10	CN5001521	GM50B single-pole micro switch	1
11	CN4000031	M3x16 pan head cross	1

Squeegee Assembly



Squeegee Assembly

Ref.	Part No.	Description	Qty.
1	07786	NUT, HEX, STD, M8 X 1.25, SS	2
2	140027	WASHER, FLAT, 0.35B 0.75D .04, SS	4
3	1010560	WHEEL, BMPR, 80D X 25W, NON-MARKING	2
4	222460	SLEEVE, P/M, 0.32B 0.50D 0.5L [430SS]	2
5	1255358	SCREW, BTN, M8 X 1.25 X 85, SS	2
6	CN5005398	Cross hand nut M8 (yellow)	4
7	12277	SCREW, HEX, M6 X 1.00 X 20, NL, SS	1
8	01684	WASHER, FLAT, 0.27B 0.69D .05, SS	1
9	140060	WASHER, .505 X .750 X 0.45 WAVE	1
10	140154	SLEEVE, P/M, 0.25B 0.38D 0.3L, PL	1
11	1222109	KNOB, SQGE, 58L, M6 X 1.00, PLSTC	1
12	1209631	COVER, TRAP, WATER, SQGE	1
13	CN5006243	silencer cotton [T260]	1
14	1230946	FRAME, SQGE, 50CM, MACH [T300]	1
15	1016399	SCREW, HEX, M8 X 1.25 X 30, NL, SS	2
16	17461	PIN, CLEVIS, 0.37D X 1.75L	2
17	1017091	SPRING, CMPR, 0.50OD .04WIR 00.8L	2
18	630477	WHEEL, PYU, 02.0D 0.38W, GRAY	2
19	1216647	PIN, COTTER, HAIR, 0.38D .054 WIR	2
20	09023	SCREW, HEX, M8 X 1.25 X 35, FL, SS	2
21	22290	SPRING, CMPR, 0.72OD .06WIR 02.3L	2
22	1203954	BLADE, SQGE, FRONT, 788L, LINATEX[500MM]	1
23	1203638	RETAINER, SQGE [T300]	1
24	1203953	BLADE, SQGE, REAR, 836L, LINATEX[500MM]	1
	9014172	Complete squeegee assembly	