



IPC Integrated Professional Cleaning

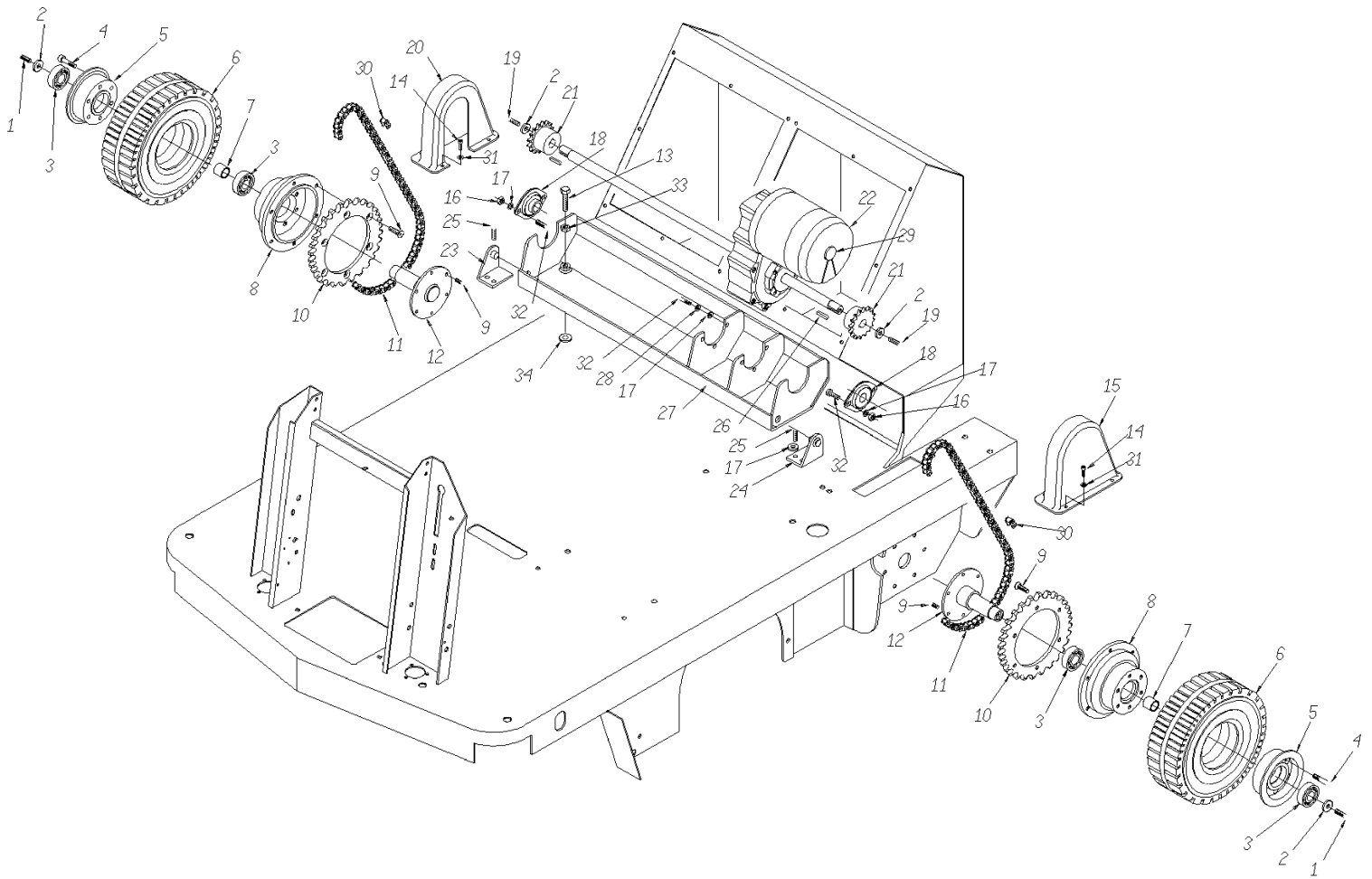
IPC Gansow

Spare Parts List

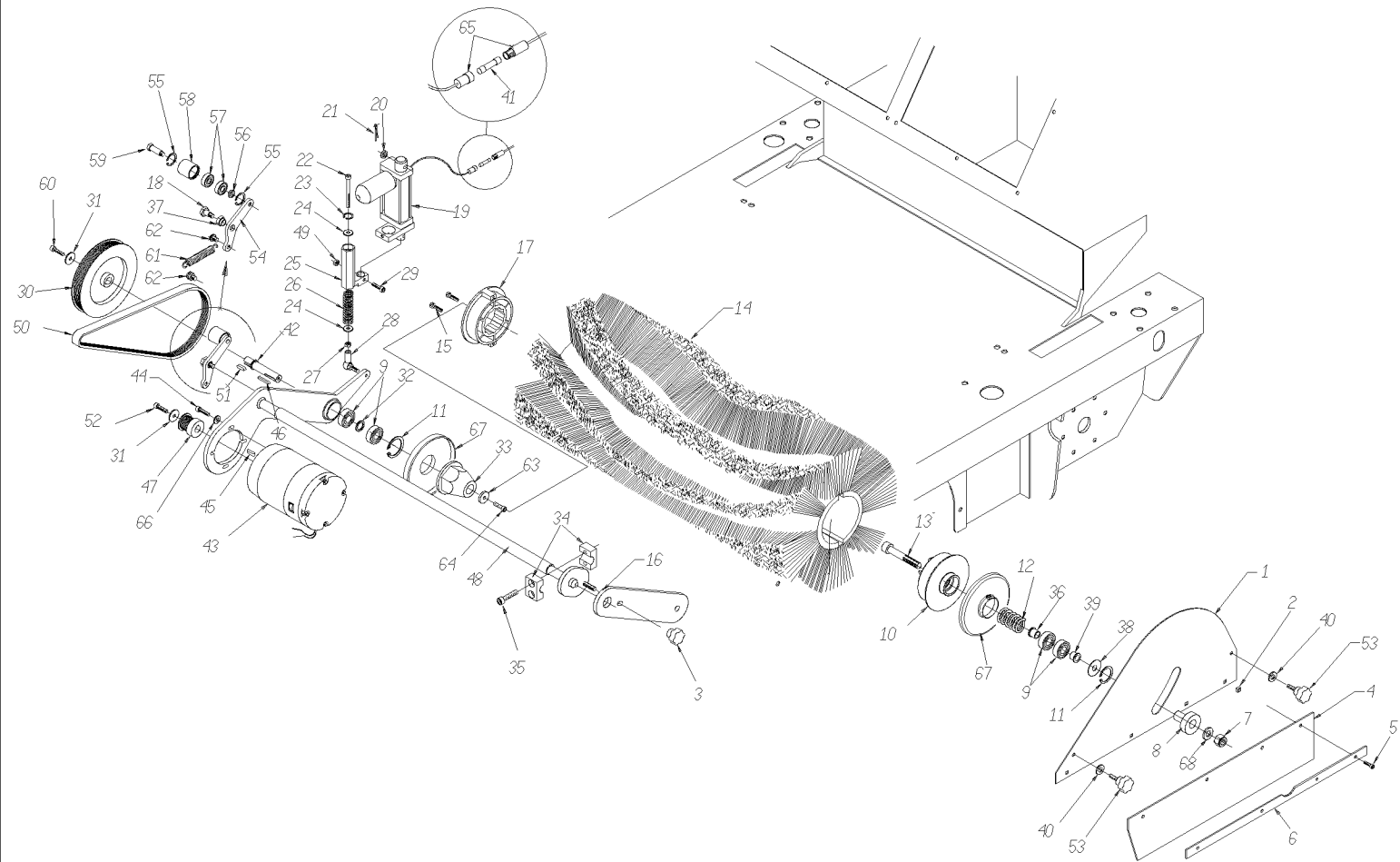
IPC EAGLE

Ref: MSUB00573

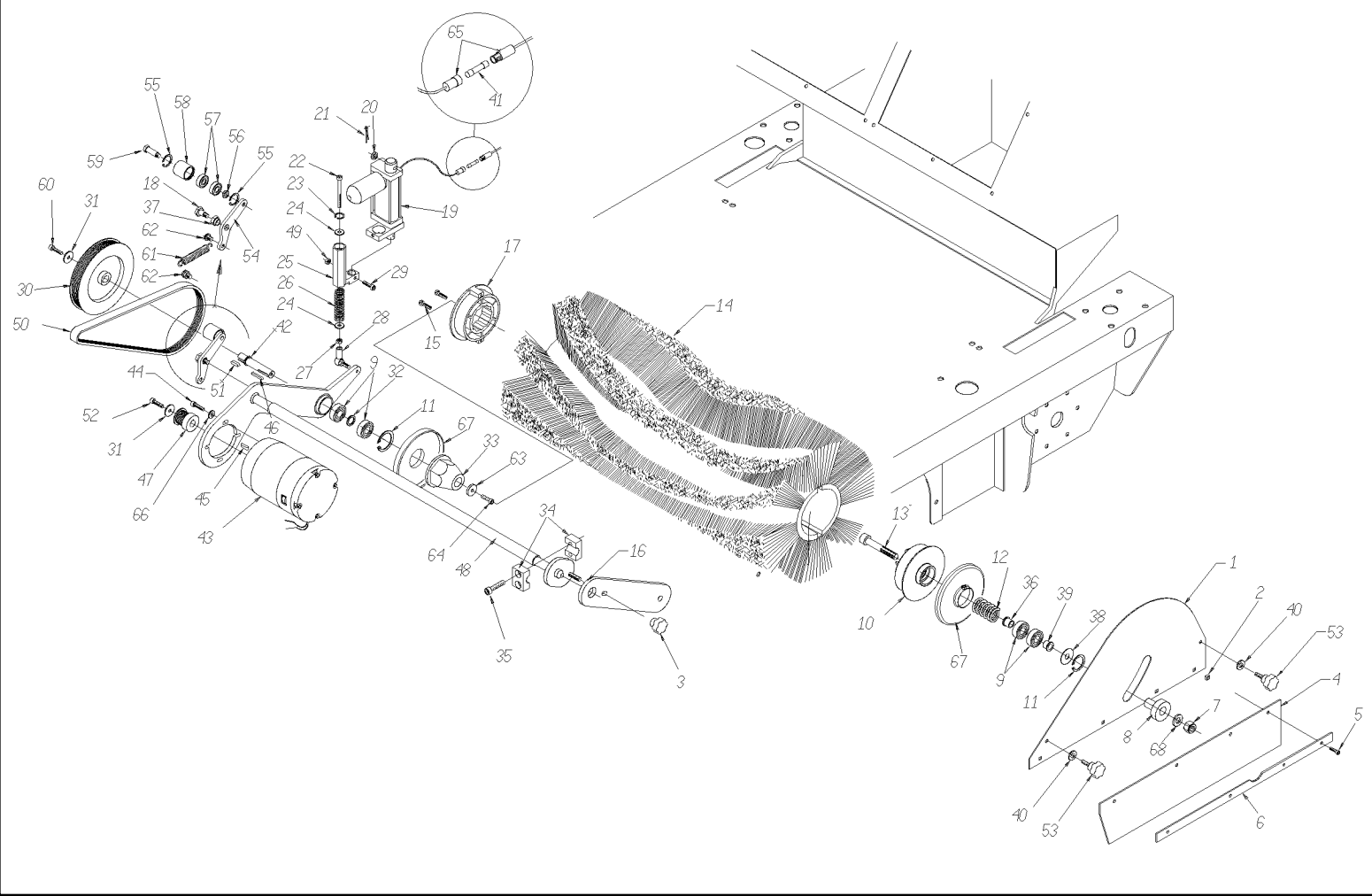
Model: 1404 DP P. GR/VE 2SP IPC



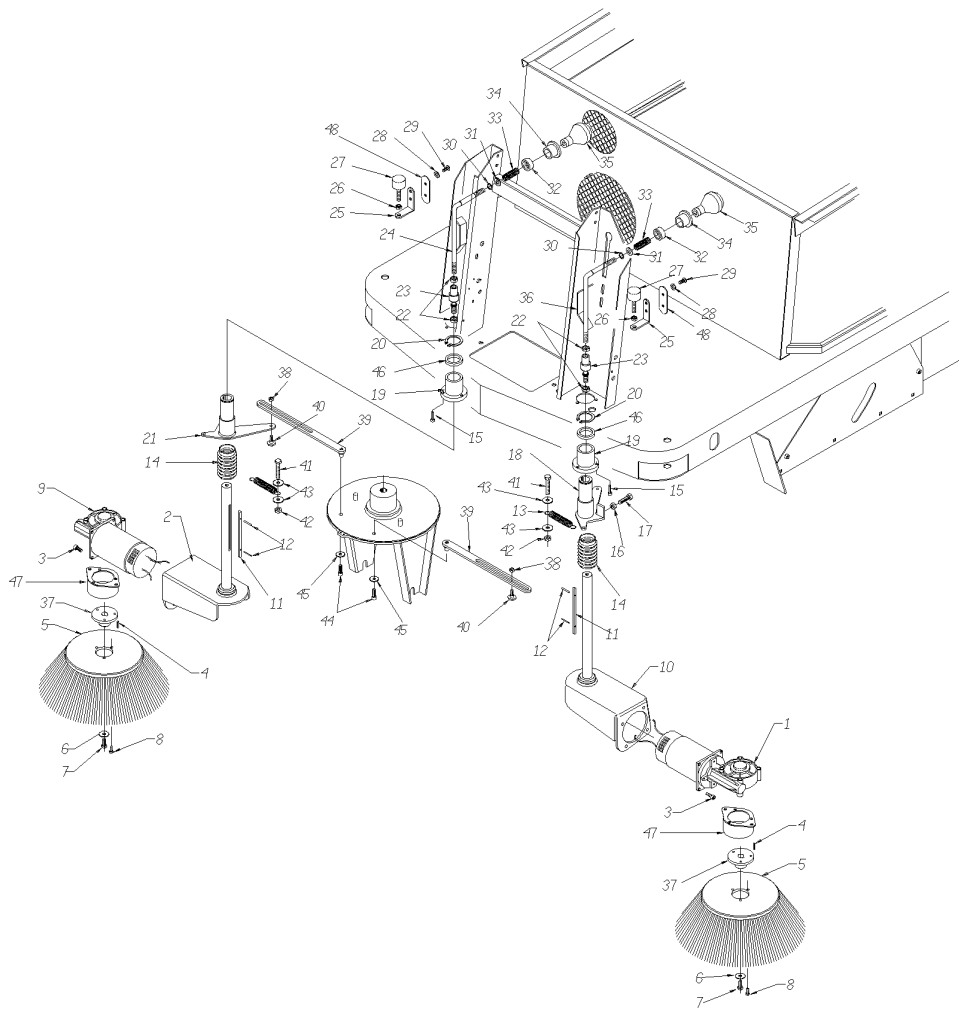
| Ref. K | Part N. | Customer Part N. | Description | Qty | Validity: | | Price |
|--------|-----------|------------------|------------------------------------|-------|-----------|---------|-------|
| | | | | | From | To | |
| 0001 | VTVT87271 | | SCREW TBEI M 8X 16 ISO 7380 | 2,00 | | | -- |
| 0002 | VTRS00513 | | WASHER D. 8 X32 P. | 4,00 | | | -- |
| 0003 | CUVR08998 | | BALL BEARING 6204 2RS1 | 4,00 | | | -- |
| 0004 | VTVT01119 | | SCREW TCEI 8X20 UNI5931 | 12,00 | | | -- |
| 0005 | LAFN45083 | | HUB TK1400 AN/PST. | 2,00 | | | -- |
| 0006 | RTRT45132 | | WHEEL D.306 4.00-4 S.EL. | 2,00 | | | -- |
| 0007 | LAFN45336 | | SPACER D. 20-24 L=22 | 2,00 | | | -- |
| 0008 | LAFN45084 | | HUB TK1400 PST. | 2,00 | | | -- |
| 0009 | VTVT01534 | | SCREW TSPEI 8X30 UNI5933 | 18,00 | | | -- |
| 0010 | MTCR45337 | | TOOTHED WHEEL Z. 45 P 1/2" | 2,00 | | | -- |
| 0011 | MTCR45085 | | CHAIN 1/2 TK1400 TRZ. | 2,00 | | | -- |
| 0012 | LAFN45086 | | WHEEL SUPPORT TK1400 PST. | 2,00 | | | -- |
| 0013 | VTVT01536 | | SCREW TE 10X45 UNI5739 | 2,00 | | | -- |
| 0014 | VTVT75726 | | SCREW TBEI M 6X 16 ISO 7380 ZB | 4,00 | | | -- |
| 0015 | MPVR45338 | | CRANKCASE L.14 SX | 1,00 | | | -- |
| 0016 | VTDD00124 | | NUT M 8 BASSO | 4,00 | | | -- |
| 0017 | VTRS00504 | | WASHER D. 8 TE ZC. UNI 6592 | 14,00 | | | -- |
| 0018 | CUVR00105 | | SUPPORT | 2,00 | 11/2010 | | -- |
| 0018 | LAFN87166 | | SUPPORT | 2,00 | | 11/2010 | -- |
| 0019 | VTVT87271 | | SCREW TBEI M 8X 16 ISO 7380 | 2,00 | | | -- |
| 0020 | MPVR45396 | | CRANKCASE L.14 DX | 1,00 | | | -- |
| 0021 | MTCR45897 | | PINION Z.12 P 1/2 | 2,00 | | | -- |
| 0022 | MEVR33562 | | CARBON 10X18X18 400W 12V | 4,00 | | | -- |
| 0022 | RDGR45088 | | MOTOR.GEARBOX DV 1400 24V | 1,00 | | | -- |
| 0023 | LAFN45397 | | SUPPORT L.14 DX | 1,00 | | | -- |
| 0024 | LAFN45398 | | SUPPORT L.14 SX | 1,00 | | | -- |
| 0025 | VTVT00066 | | SCREW TCCE UNI 5931 8X25 ZB | 4,00 | | | -- |
| 0026 | VTVR23472 | | KEY 6X6X25 | 2,00 | | | -- |
| 0027 | MPVR45399 | | SHAFT SUPPORT L.14 | 1,00 | | | -- |
| 0028 | VTRS01080 | | WASHER D. 8 GRW | 6,00 | | | -- |
| 0029 | MECI00035 | | DASHBOARD DI TEMPERATURA F11-95 NC | 1,00 | | | -- |
| 0030 | MTCR45401 | | WARP KNITTING 1/2 | 2,00 | | | -- |
| 0031 | VTRS00503 | | WASHER D. 6 TE UNI 6798 | 2,00 | | | -- |
| 0032 | VTVT29810 | | SCREW TCEI M 8X20 UNI 5931 | 10,00 | | | -- |
| 0033 | VTDD00484 | | NUT M10 ZIN UNI 5588 | 2,00 | | | -- |
| 0034 | LAFN47016 | | SPACER L.14 | 2,00 | | | -- |



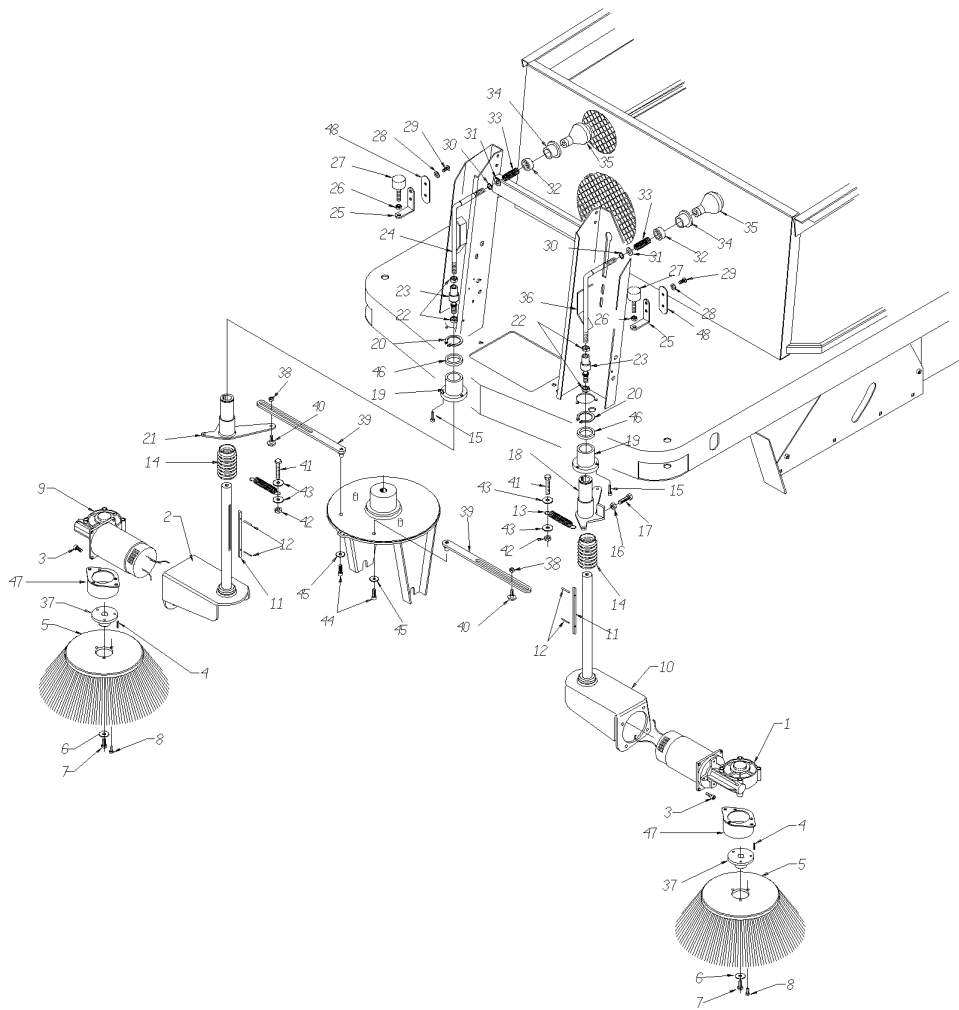
| Ref. K | Part N. | Customer Part N. | Description | Qty | Validity: | | Price |
|--------|-----------|------------------|---------------------------------|------|-----------|---------|-------|
| | | | | | From | To | |
| 0001 | LAFN06600 | | BUMPER FRONTALE F1150 | 1,00 | | | -- |
| 0002 | VTVR47015 | | INSERT PLS. D.3 | 4,00 | | | -- |
| 0003 | VTVR00047 | | HANDWHEEL D.50 M8 | 1,00 | | | -- |
| 0004 | MPVR04669 | | FLAP LATERALE | 1,00 | | | -- |
| 0005 | VTVT00044 | | SCREW TC AF.X PLAS UNI9707 4X16 | 4,00 | | | -- |
| 0006 | LAFN06601 | | PLATE FISSA FLAP | 1,00 | | | -- |
| 0007 | VTDD00012 | | NUT AUTOBLOK DIN 985 M12 ZB | 1,00 | | | -- |
| 0008 | LAFN06836 | | PIN CENTRAGGIO PROTEZIONE | 1,00 | | | -- |
| 0009 | CUVR17004 | | BALL BEARING 6202 -2RS1 | 4,00 | | | -- |
| 0010 | MPVR04923 | | SUPPORT SPAZZOLA CENTRALE | 1,00 | | | -- |
| 0011 | VTAE00076 | | CIRCLIP D.37 DIN 472 | 2,00 | | | -- |
| 0012 | MLML00295 | | SPRING SPAZZOLA CENTRALE | 1,00 | | | -- |
| 0013 | VTVT01128 | | SCREW TCCE UNI 5931 12X120 ZB | 1,00 | | | -- |
| 0014 | SPPV43840 | | BRUSH D.330x800 ST.MD. | 1,00 | | | -- |
| 0015 | VTVT01705 | | SCREW 4X45 UNI 9709 | 2,00 | 04/2015 | | -- |
| 0015 | VTVT47049 | | SCREW ATF TSP-TC 3,5X45 U.6955 | 2,00 | | 04/2015 | -- |
| 0016 | LAFN47050 | | LATERAL ARM L.14 | 1,00 | | | -- |
| 0017 | LAFN45099 | | DRIVE DISK TK1400 | 1,00 | | | -- |
| 0018 | LAFN47051 | | PIN L.14 | 1,00 | | | -- |
| 0019 | MECB00956 | | WIRING ATTUATORE | 1,00 | | | -- |
| 0020 | VTRS00503 | | WASHER D. 6 TE UNI 6798 | 1,00 | | | -- |
| 0021 | VTVR47052 | | SPLIT PIN "R" D. 2 X 43 ZC | 1,00 | | | -- |
| 0022 | VTVT37013 | | SCREW TE M 6X100 UNI 5737 | 1,00 | | | -- |
| 0023 | VTAE00009 | | SEEGER INTERNO DIN 472 D.20 | 1,00 | | | -- |
| 0024 | LAFN00124 | | BUSHING BATTUTA CILINDRO | 2,00 | | | -- |
| 0025 | MPVR45279 | | CASE TK1400 | 1,00 | | | -- |
| 0026 | MLML45281 | | SPRING TK1400 | 1,00 | | | -- |
| 0027 | VTDD00482 | | NUT M 6 ZIN UNI 5588 | 1,00 | | | -- |
| 0028 | VTVR45280 | | ARTICULATION AS M6 | 1,00 | | | -- |
| 0029 | VTVT00008 | | SCREW TE UNI 5739 6X30 ZB | 1,00 | | | -- |
| 0030 | MTPL47054 | | PULLEY POLY-V J8 D. 155 | 1,00 | | | -- |
| 0031 | VTRS63242 | | WASHER D. 6 X24 ZC | 2,00 | | | -- |
| 0032 | LAFN06823 | | SPACER L.14 | 1,00 | | | -- |
| 0033 | MPVR04915 | | HUB TRASCINATORE SPAZZ. CENT. | 1,00 | | | -- |
| 0034 | LAFN47055 | | HOSE COLLAR C3 D.18 | 4,00 | | | -- |
| 0035 | VTVT06236 | | SCREW TCEI 6X40 UNI5931 | 4,00 | | | -- |
| 0036 | LAFN06782 | | BUSHING PER CUSCINETTO | 1,00 | | | -- |
| 0037 | LAFN47033 | | BUSHING L.14 | 1,00 | | | -- |
| 0038 | VTRS00553 | | WASHER PARAPOLVERE | 1,00 | | | -- |



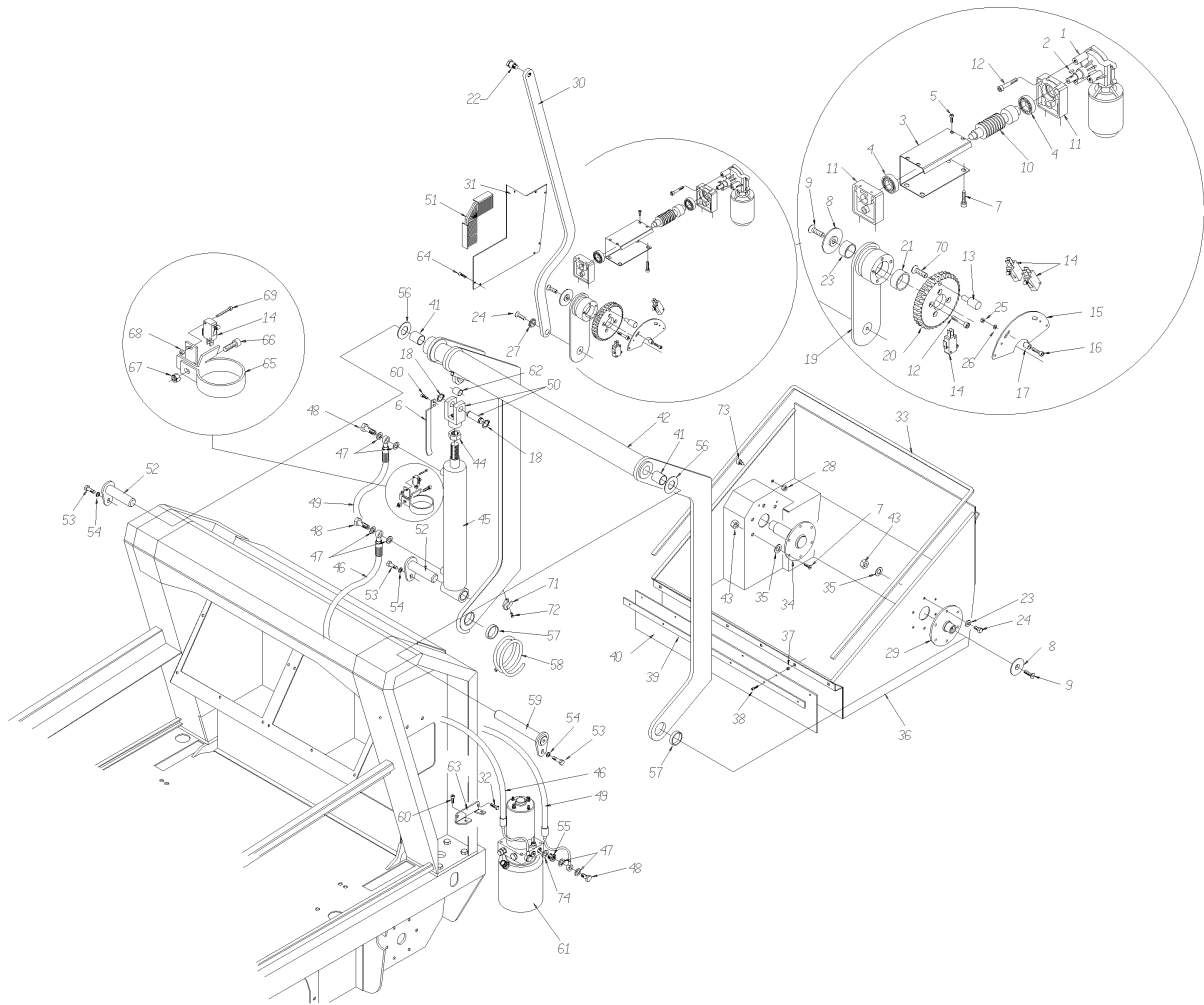
| Ref. | K | Part N. | Customer Part N. | Description | Qty | Validity: | | Price |
|------|---|-----------|------------------|--------------------------------|------|-----------|----|-------|
| | | | | | | From | To | |
| 0039 | | LAFN06783 | | BUSHING PER CUSCINETTO 1 | 1,00 | | | -- |
| 0040 | | VTRS00504 | | WASHER D. 8 TE ZC. UNI 6592 | 2,00 | | | -- |
| 0041 | | MEVR00079 | | FUSE 3.15A 250V 5X20 | 1,00 | | | -- |
| 0042 | | LAFN06687 | | PIN S.C. 1404 | 1,00 | | | -- |
| 0043 | | MOC00275 | | MOTOR SPAZZOLA CENTRALE | 1,00 | | | -- |
| 0044 | | VTVT06237 | | SCREW TCEI 6X20 UNI5931 | 4,00 | | | -- |
| 0045 | | VTVR13165 | | KEY 5X5X20 | 1,00 | | | -- |
| 0046 | | VTVR00006 | | KEY UNI 6604 4X4X35 | 1,00 | | | -- |
| 0047 | | MTPL45101 | | PULLEY POLY-V J8 TK1400 | 1,00 | | | -- |
| 0048 | | LAFN06828 | | ARM MAIN BRUSH 1404 | 1,00 | | | -- |
| 0049 | | VTDD19688 | | NUT M6 UNI 7473 | 1,00 | | | -- |
| 0050 | | MTCG44767 | | BELT POLY-V J8 864-340 | 1,00 | | | -- |
| 0051 | | VTVR13165 | | KEY 5X5X20 | 1,00 | | | -- |
| 0052 | | VTVT24209 | | SCREW TCEI 6X12 UNI5931 | 1,00 | | | -- |
| 0053 | | RTRT00022 | | HANDWHEEL D.30 M6X15 | 2,00 | | | -- |
| 0054 | | LAFN47059 | | BELT-STRETCHER L.14 | 1,00 | | | -- |
| 0055 | | VTAE00008 | | SEEGER INTERNO DIN 472 D.26 | 2,00 | | | -- |
| 0056 | | LAFN47060 | | SPACER L.14 | 1,00 | | | -- |
| 0057 | | CUVR86373 | | BEARING 6000 2RS | 2,00 | | | -- |
| 0058 | | MTPL47061 | | ROLLER L.14 | 1,00 | | | -- |
| 0059 | | LAFN47062 | | PIN L.14 | 1,00 | | | -- |
| 0060 | | VTVT24209 | | SCREW TCEI 6X12 UNI5931 | 1,00 | | | -- |
| 0061 | | MLML75961 | | SPRING D. 16 L.80 | 1,00 | | | -- |
| 0062 | | VTVT45395 | | SCREW TBEI M 8X 10 ISO 7380 ZB | 2,00 | | | -- |
| 0063 | | VTRS04026 | | WASHER D. 6X18X2.38 | 1,00 | | | -- |
| 0064 | | VTVT24209 | | SCREW TCEI 6X12 UNI5931 | 1,00 | | | -- |
| 0065 | | MEVR00080 | | FUSE-HOLDER PV610 10A | 1,00 | | | -- |
| 0066 | | VTRS04026 | | WASHER D. 6X18X2.38 | 4,00 | | | -- |
| 0067 | | LAFN06837 | | PROTECTION SPAZZOLA CENTRALE | 2,00 | | | -- |
| 0068 | | VTRS00506 | | WASHER D.12 UNI 6592 | 1,00 | | | -- |



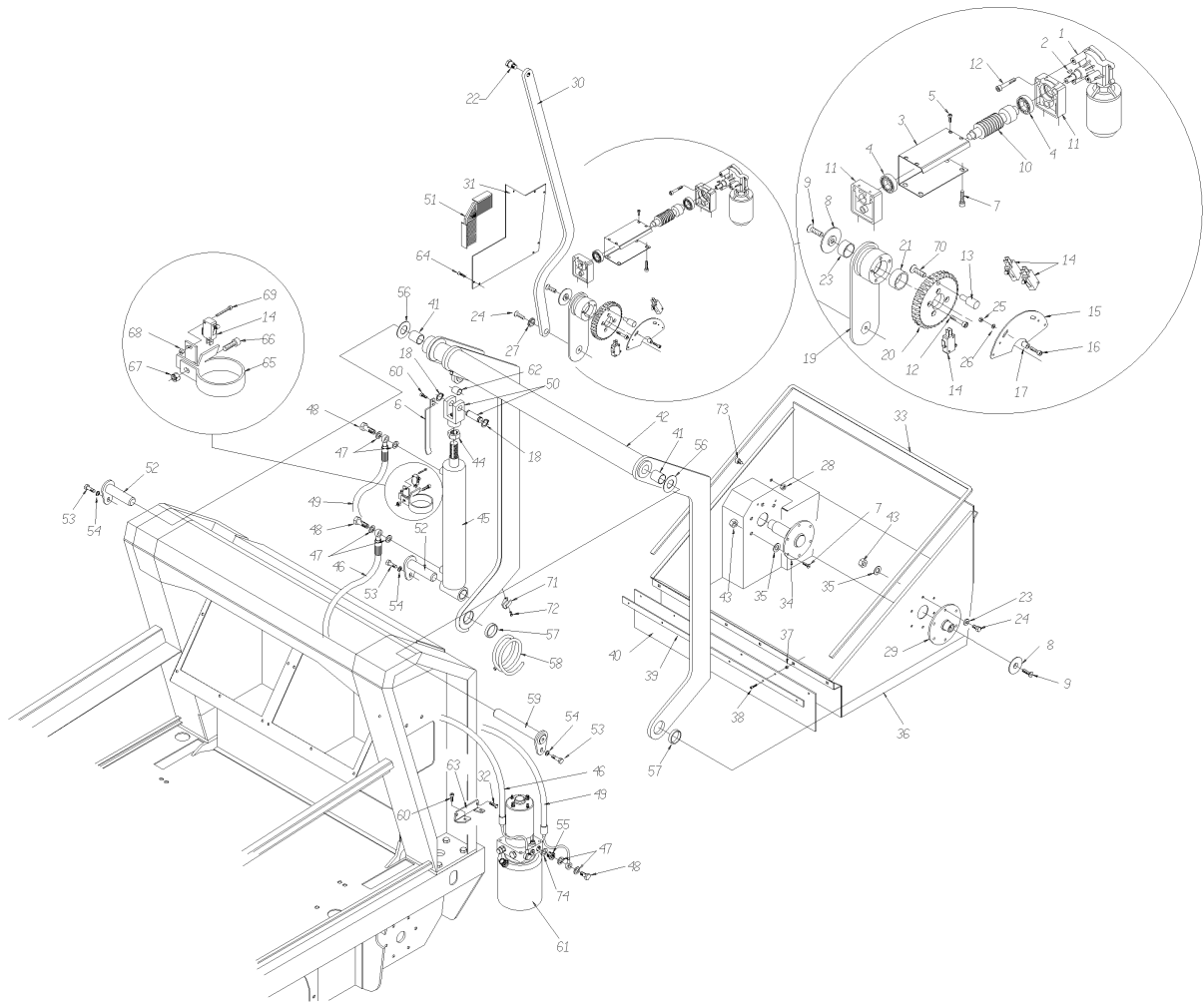
| Ref. | K | Part N. | Customer Part N. | Description | Qty | Validity: | | Price |
|------|---|-----------|------------------|----------------------------------|------|-----------|---------|-------|
| | | | | | | From | To | |
| 0001 | | RDGR44777 | | MOTOR.GEARBOX AOMP140 24V 90W SX | 1,00 | | | -- |
| 0002 | | LAFN47063 | | MOTOR SUPPORT L.14 DX | 1,00 | | | -- |
| 0003 | | VTVT06237 | | SCREW TCEI 6X20 UNI5931 | 8,00 | | | -- |
| 0004 | | VTVR33667 | | KEY 5x 5x25 UNI 6604A | 2,00 | | | -- |
| 0005 | | SPPV43844 | | SIDE-BRUSH D. 500 ST.MD. | 2,00 | | | -- |
| 0006 | | VTRS63242 | | WASHER D. 6 X24 ZC | 2,00 | | | -- |
| 0007 | | VTVT75719 | | SCREW TE F/ROND. M 6 X 10 | 2,00 | | | -- |
| 0008 | | VTVT62920 | | SCREW TE F/ROND. M 6X 16 ZB | 6,00 | | | -- |
| 0009 | | RDGR44776 | | MOTOR.GEARBOX AOMP140 24V 90W DX | 1,00 | | | -- |
| 0010 | | LAFN47064 | | MOTOR SUPPORT L.14 SX | 1,00 | | | -- |
| 0011 | | VTVR47065 | | KEY 6X 6X130 UNI 6604 | 2,00 | | | -- |
| 0012 | | VTVR00009 | | ELASTIC PLUG DIN 1481 3X20 | 4,00 | | | -- |
| 0013 | | MLML45102 | | SPRING TR | 2,00 | | | -- |
| 0014 | | MPVR47066 | | PROTECTOR L.14 | 2,00 | | | -- |
| 0015 | | VTVT09913 | | SCREW TCEI 6X16 UNI5931 | 6,00 | | | -- |
| 0016 | | VTDD00483 | | NUT M 8 ZIN UNI 5588 | 6,00 | | | -- |
| 0017 | | VTVT00017 | | SCREW TE UNI 5739 8X35 ZB | 2,00 | | | -- |
| 0018 | | LAFN47067 | | GUIDE L.14 SX | 1,00 | | | -- |
| 0019 | | LAFN47070 | | FLANGE L.14 LT. | 2,00 | | | -- |
| 0020 | | VTAE12644 | | CIRCLIP D. 30 UNI 7435 | 2,00 | | | -- |
| 0021 | | LAFN47071 | | GUIDE L.14 DX | 1,00 | | | -- |
| 0022 | | VTDD00484 | | NUT M10 ZIN UNI 5588 | 4,00 | | | -- |
| 0023 | | VTVR47072 | | ARTICULATION AS M10 | 2,00 | | | -- |
| 0024 | | LAFN47073 | | ARM L.14 DX | 1,00 | | | -- |
| 0025 | | MPVR86579 | | SUPPORT TK | 2,00 | | | -- |
| 0026 | | VTDD00482 | | NUT M 6 ZIN UNI 5588 | 2,00 | | | -- |
| 0027 | | ABGO00008 | | VIBRATION DAMP.PM 20X20 M6X20 | 2,00 | 11/2012 | | -- |
| 0027 | | MPVR75799 | | FOOT 20x9 M 6x18 | 2,00 | | 11/2012 | -- |
| 0028 | | VTRS04026 | | WASHER D. 6X18X2.38 | 4,00 | | | -- |
| 0029 | | VTVT75726 | | SCREW TBEI M 6X 16 ISO 7380 ZB | 4,00 | | | -- |
| 0030 | | VTAE87276 | | SEEGER EXT. D10 DIN471 | 2,00 | | | -- |
| 0031 | | VTRS00505 | | WASHER D.10 TE UNI 6592 | 2,00 | | | -- |
| 0032 | | MPVR47074 | | BUSHING L.14 INT. | 2,00 | | | -- |
| 0033 | | MLML47075 | | SPRING D.15X 24 X1.5 | 2,00 | | | -- |
| 0034 | | MPVR47076 | | BUSHING L.14 EXT. | 2,00 | | | -- |
| 0035 | | MPVR47077 | | KNOB L.14 | 2,00 | | | -- |
| 0036 | | LAFN47078 | | ARM L.14 SX | 1,00 | | | -- |
| 0037 | | LAFN45010 | | FLANGE L.1400 LT. | 2,00 | | | -- |
| 0038 | | VTDD00491 | | NUT M 6 TEF | 2,00 | | | -- |



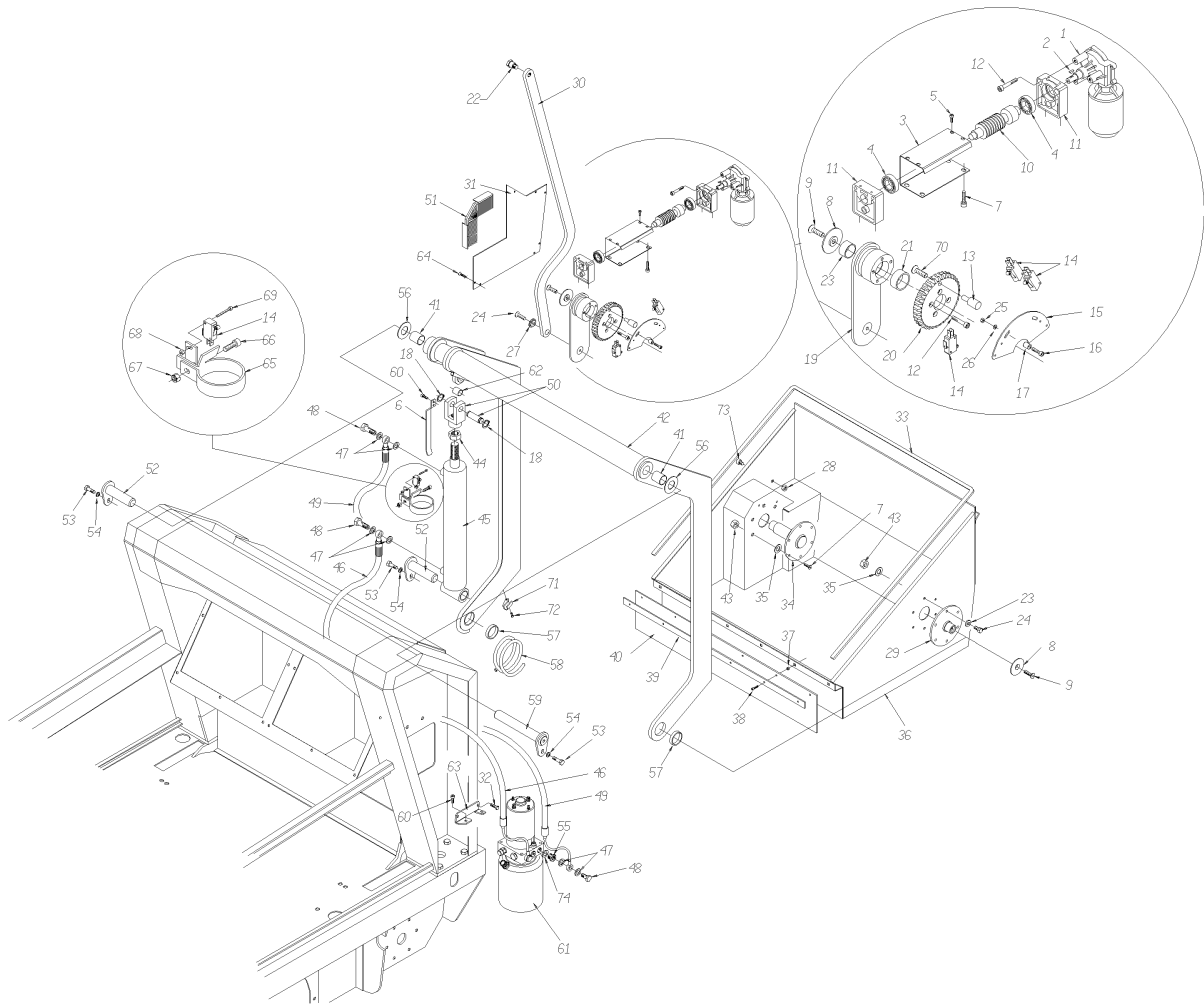
| Ref. K | Part N. | Customer Part N. | Description | Qty | Validity: | | Price |
|--------|-----------|------------------|--------------------------------|------|-----------|----|-------|
| | | | | | From | To | |
| 0039 | LAFN47079 | | ROD L.14 | 2,00 | | | -- |
| 0040 | LAFN47080 | | SCREW L.14 | 2,00 | | | -- |
| 0041 | VTVT00450 | | SCREW TE 8X40 UNI5739 | 2,00 | | | -- |
| 0042 | VTDD00124 | | NUT M 8 BASSO | 2,00 | | | -- |
| 0043 | VTRS00512 | | WASHER D. 8 X24 ZC. | 4,00 | | | -- |
| 0044 | VTVT00058 | | SCREW TCEI M 5X12 ZB U.5931 | 2,00 | | | -- |
| 0045 | VTRS00291 | | WASHER D. 5 X20 ZC UNI 6593 | 2,00 | | | -- |
| 0046 | LAFN47081 | | SPACER L.14 | 2,00 | | | -- |
| 0047 | LAFN06834 | | PROTECTION SPAZZOLA LATERALE | 2,00 | | | -- |
| 0048 | LAFN06795 | | BRACKET LEVE SPAZZOLE LATERALI | 2,00 | | | -- |



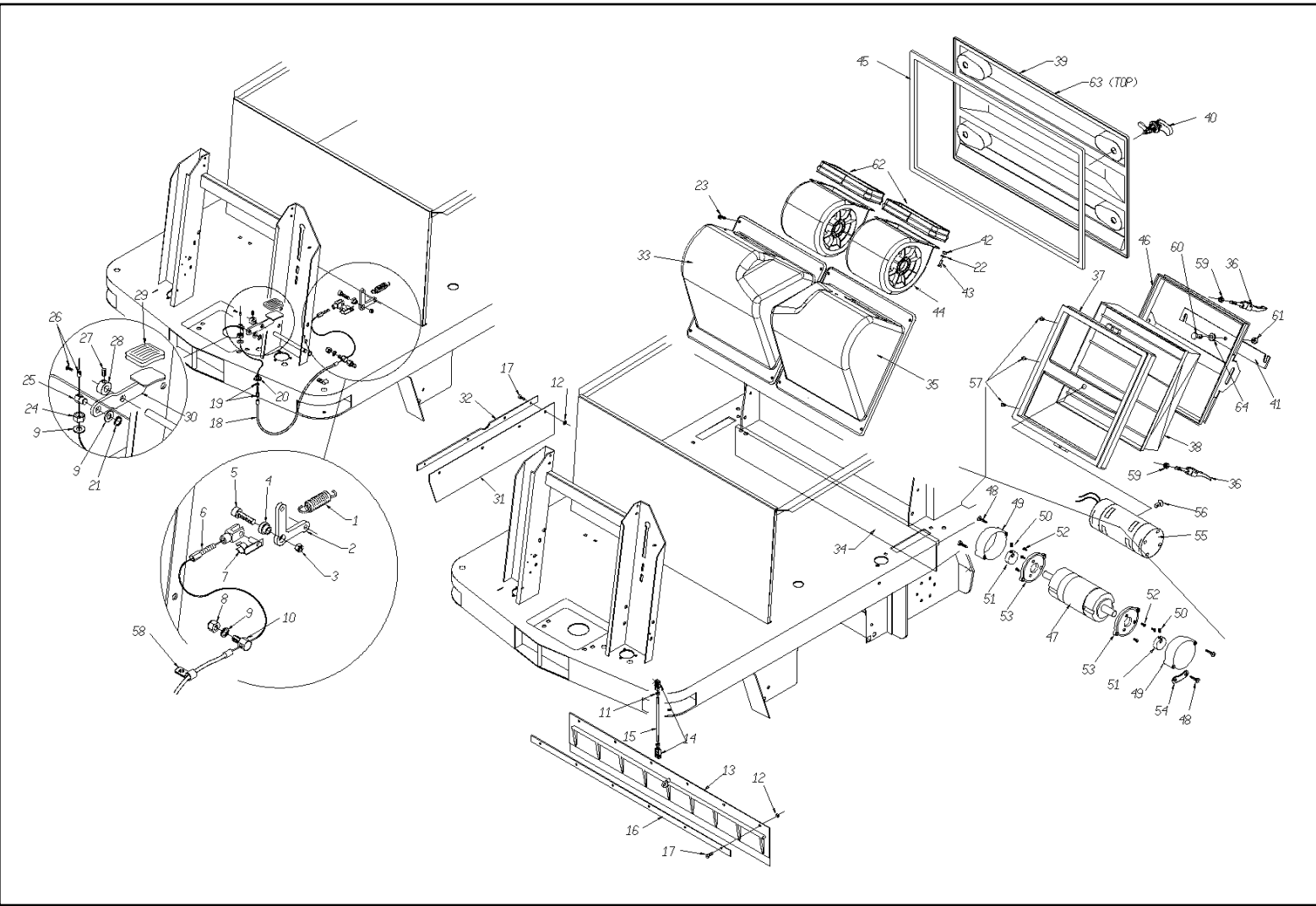
| Ref. | K | Part N. | Customer Part N. | Description | Qty | Validity: | | Price |
|------|---|-----------|------------------|-----------------------------------|-------|-----------|----|-------|
| | | | | | | From | To | |
| 0001 | | RDGR31335 | | MOTOR.GEARBOX L. 70TE | 1,00 | | | -- |
| 0002 | | VTVR75730 | | KEY UNI 6606 3 X 3,7 | 1,00 | | | -- |
| 0003 | | LAFN45321 | | COVER L.14 | 1,00 | | | -- |
| 0004 | | CUVR06174 | | BALL BEARING 6002-2RS1 | 2,00 | | | -- |
| 0005 | | VTVT00098 | | SCREW AUTOF.TC UNI 6954 3,9X9,5 | 4,00 | | | -- |
| 0006 | | LAFN47093 | | ECCENTRIC CAM L.14 | 1,00 | | | -- |
| 0007 | | VTVT62920 | | SCREW TE F/ROND. M 6X 16 ZB | 10,00 | | | -- |
| 0008 | | LAFN47094 | | SPACER L.14 | 2,00 | | | -- |
| 0009 | | VTVT45340 | | SCREW TSPEI 8X16 UNI5933 | 2,00 | | | -- |
| 0010 | | MTIG45320 | | TOOTHED WHEEL L.14 | 1,00 | | | -- |
| 0011 | | LAFN45319 | | SUPPORT L.14 | 2,00 | | | -- |
| 0012 | | VTVT06237 | | SCREW TCEI 6X20 UNI5931 | 7,00 | | | -- |
| 0013 | | LAFN45233 | | PAWL TK1400 | 1,00 | | | -- |
| 0014 | | MECI44780 | | MICROSWITCH D2VW-5L2A-1M OMR | 4,00 | | | -- |
| 0015 | | LAFN45283 | | PLATE TK1400 | 1,00 | | | -- |
| 0016 | | VTVT19236 | | SCREW TCEI 5X20 UNI 5931 | 2,00 | | | -- |
| 0017 | | LAFN47095 | | SPACER D. 6-10 L= 8 | 2,00 | | | -- |
| 0018 | | VTAE17003 | | CIRCLIP D. 15 UNI 7435 | 2,00 | | | -- |
| 0019 | | LAFN47096 | | CONNECTING ROD L.14 CASS. | 1,00 | | | -- |
| 0020 | | MTCR46479 | | TOOTHED WHEEL L.14 EL. | 1,00 | | | -- |
| 0021 | | MPVR47097 | | BUSHING D. 30X34X15 GLYC. | 1,00 | | | -- |
| 0022 | | LAFN47098 | | PIN L.14 PARALL. | 1,00 | | | -- |
| 0023 | | MPVR00006 | | BUSHING GLYCODUR GLY.PG 25-28-15F | 1,00 | | | -- |
| 0024 | | VTVT62920 | | SCREW TE F/ROND. M 6X 16 ZB | 6,00 | | | -- |
| 0025 | | VTDD00040 | | NUT M5 UNI7474 | 2,00 | | | -- |
| 0026 | | VTRS00502 | | WASHER D. 5 0.466 UNI 6592 | 4,00 | | | -- |
| 0027 | | LAFN47099 | | SPACER L.14 | 1,00 | | | -- |
| 0028 | | VTDD00124 | | NUT M 8 BASSO | 2,00 | | | -- |
| 0029 | | LAFN47100 | | PIN L.14 SX | 1,00 | | | -- |
| 0030 | | LAFN47101 | | ARM L.14 | 1,00 | | | -- |
| 0031 | | LAFN45284 | | BOX COVER TK1400 | 1,00 | | | -- |
| 0032 | | VTVT75719 | | SCREW TE F/ROND. M 6 X 10 | 2,00 | | | -- |
| 0033 | | GUVR45103 | | GASKET TK1400 | 1,00 | | | -- |
| 0034 | | LAFN47102 | | PIN L.14 DX | 1,00 | | | -- |
| 0035 | | VTRS00503 | | WASHER D. 6 TE UNI 6798 | 18,00 | | | -- |
| 0036 | | LAFN47103 | | DRAWER L.14 | 1,00 | | | -- |
| 0037 | | VTVR47015 | | INSERT PLS. D.3 | 6,00 | | | -- |
| 0038 | | VTVT00106 | | SCREW AUTOFIL. TC 3,5X14,5 | 6,00 | | | -- |
| 0039 | | LAFN47104 | | DUCT LOCK FLAP | 1,00 | | | -- |



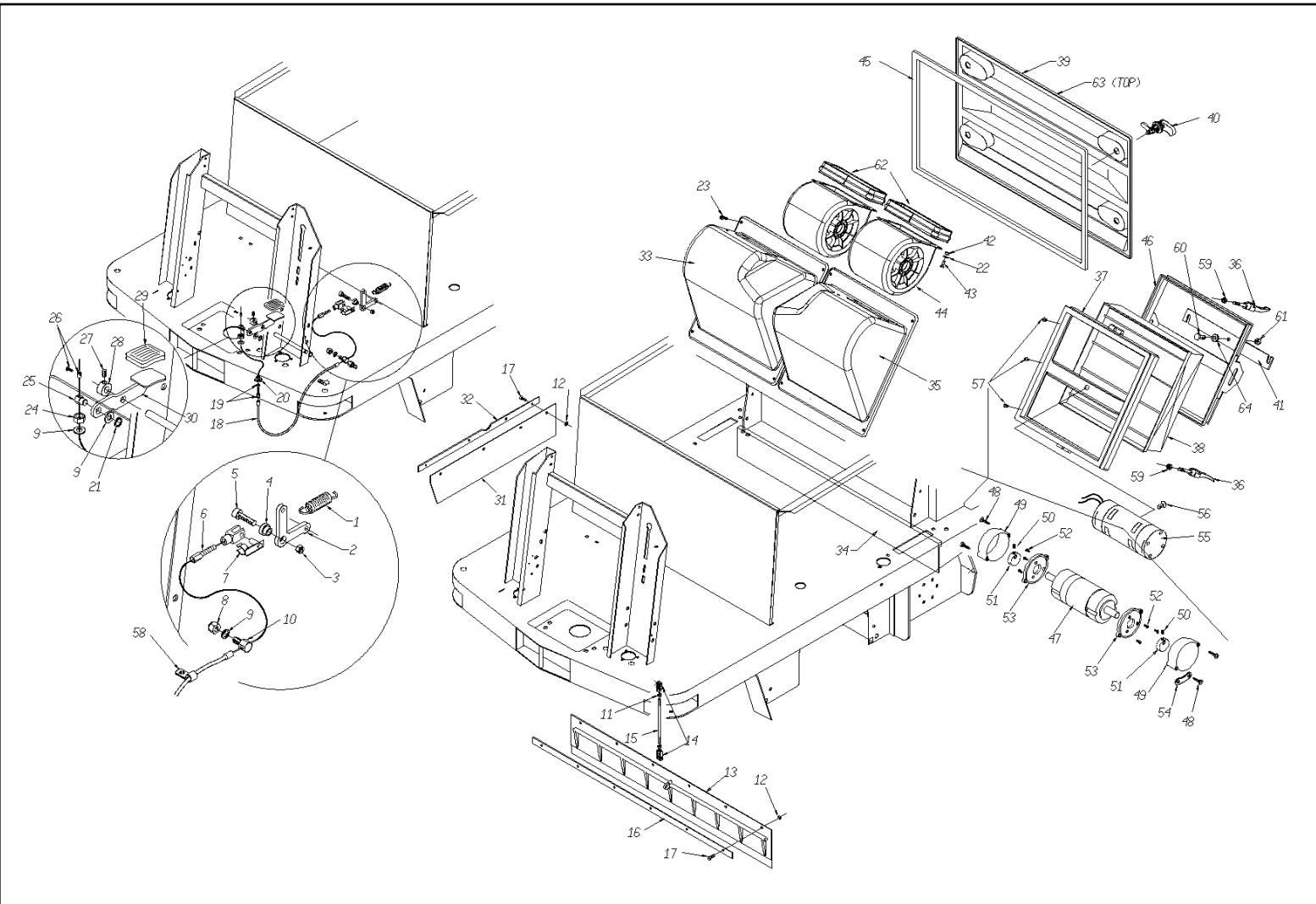
| Ref. | K | Part N. | Customer Part N. | Description | Qty | Validity: | | Price |
|------|---|-----------|------------------|--------------------------------------|-------|-----------|---------|-------|
| | | | | | | From | To | |
| 0040 | | MPVR45104 | | RUBBER FLAP L.1400 | 1,00 | | | -- |
| 0041 | | MPVR47105 | | BUSHING D. 25X28X25 GLYC. | 2,00 | | | -- |
| 0042 | | LAFN47106 | | ARM L.14 | 1,00 | | | -- |
| 0043 | | VTDD00491 | | NUT M 6 TEF | 12,00 | | | -- |
| 0044 | | VTDD46131 | | NUT M20 ZC UNI 5589 PG | 1,00 | | | -- |
| 0045 | | PIID45105 | | PISTON D.50 ST25 | 1,00 | | | -- |
| 0046 | | TBAP45106 | | HOSE-FITTING 3/16 L.14 | 1,00 | | | -- |
| 0047 | | VTRS00037 | | WASHER IN DAWTY 1/8 | 8,00 | | | -- |
| 0048 | | RCDS47107 | | SCREW G 1/8 | 4,00 | | | -- |
| 0049 | | TBAP45107 | | HOSE-FITTING 3/16 L.14 | 1,00 | | | -- |
| 0050 | | CMCV47108 | | FORK M20 X15 +PN. | 1,00 | | | -- |
| 0051 | | LAFN01089 | | PROTECTION ANTIPOLVERE TK1400 | 1,00 | | | -- |
| 0052 | | LAFN47110 | | PIN L.14 DX | 2,00 | | | -- |
| 0053 | | VTVT09916 | | SCREW TBEI M 6X 20 ISO 7380 ZB | 3,00 | | | -- |
| 0054 | | VTRS63242 | | WASHER D. 6 X24 ZC | 3,00 | | | -- |
| 0055 | | RCVR00081 | | REDUCTION X CENTRALINA IDRAUL.1400 | 2,00 | 01/2009 | | -- |
| 0055 | | RCVR00081 | | REDUCTION X CENTRALINA IDRAUL.1400 | 2,00 | | 07/2007 | -- |
| 0055 | | RCVR00191 | | REDUCTION 1/4"M-1/8"F L=25 | 2,00 | 08/2007 | 01/2009 | -- |
| 0056 | | VTRS47111 | | WASHER D.25 X50 X1.5 PVC | 2,00 | | | -- |
| 0057 | | LAFN47123 | | BUSHING L.14 | 2,00 | | | -- |
| 0058 | | MPVR45285 | | SHEATH TK1400 | 1,00 | | | -- |
| 0059 | | LAFN47124 | | PIN L.14 SX | 1,00 | | | -- |
| 0060 | | VTVT17639 | | SCREW TCEI M 5X10 UNI 5931 | 2,00 | 01/2009 | | -- |
| 0060 | | VTVT17639 | | SCREW TCEI M 5X10 UNI 5931 | 4,00 | | 07/2007 | -- |
| 0060 | | VTVT75725 | | SCREW TBEI M 6X 10 ISO 7380 ZB | 2,00 | 08/2007 | 01/2009 | -- |
| 0061 | | PPEL00023 | | MOTOR-DRIV.PUMPIDR.24V UP50K5 ON 130 | 1,00 | 08/2007 | 01/2009 | -- |
| 0061 | | PPEL45108 | | MOTOR-DRIV.PUMPIDR. 24V L.14 | 1,00 | 01/2009 | | -- |
| 0061 | | PPEL45108 | | MOTOR-DRIV.PUMPIDR. 24V L.14 | 1,00 | | 07/2007 | -- |
| 0062 | | MPVR47125 | | BUSHING D. 16X18X20 GLYC. | 1,00 | | | -- |
| 0063 | | LAFN07405 | | BRACKET ELETTROPOMPA 1404 | 1,00 | 08/2007 | 01/2009 | -- |
| 0063 | | LAFN47126 | | SUPPORT BRACKETL.14 | 1,00 | 01/2009 | | -- |
| 0063 | | LAFN47126 | | SUPPORT BRACKETL.14 | 1,00 | | 07/2007 | -- |
| 0064 | | VTVT00099 | | SCREW AUTOF.TC UNI 6954 3,9X13 | 4,00 | | | -- |
| 0065 | | LAFN47127 | | SUPPORT MICRO.L.14 | 1,00 | | | -- |
| 0066 | | VTVT09916 | | SCREW TBEI M 6X 20 ISO 7380 ZB | 1,00 | | | -- |
| 0067 | | VTDD19688 | | NUT M6 UNI 7473 | 1,00 | | | -- |
| 0068 | | VTDD00001 | | NUT UNI 5588 M3 ZB | 1,00 | | | -- |
| 0069 | | VTVT00019 | | SCREW TE UNI 5739 3X20 ZB | 4,00 | | | -- |
| 0070 | | VTVT00299 | | SCREW TSPEI M6x25 UNI5933 | 1,00 | | | -- |



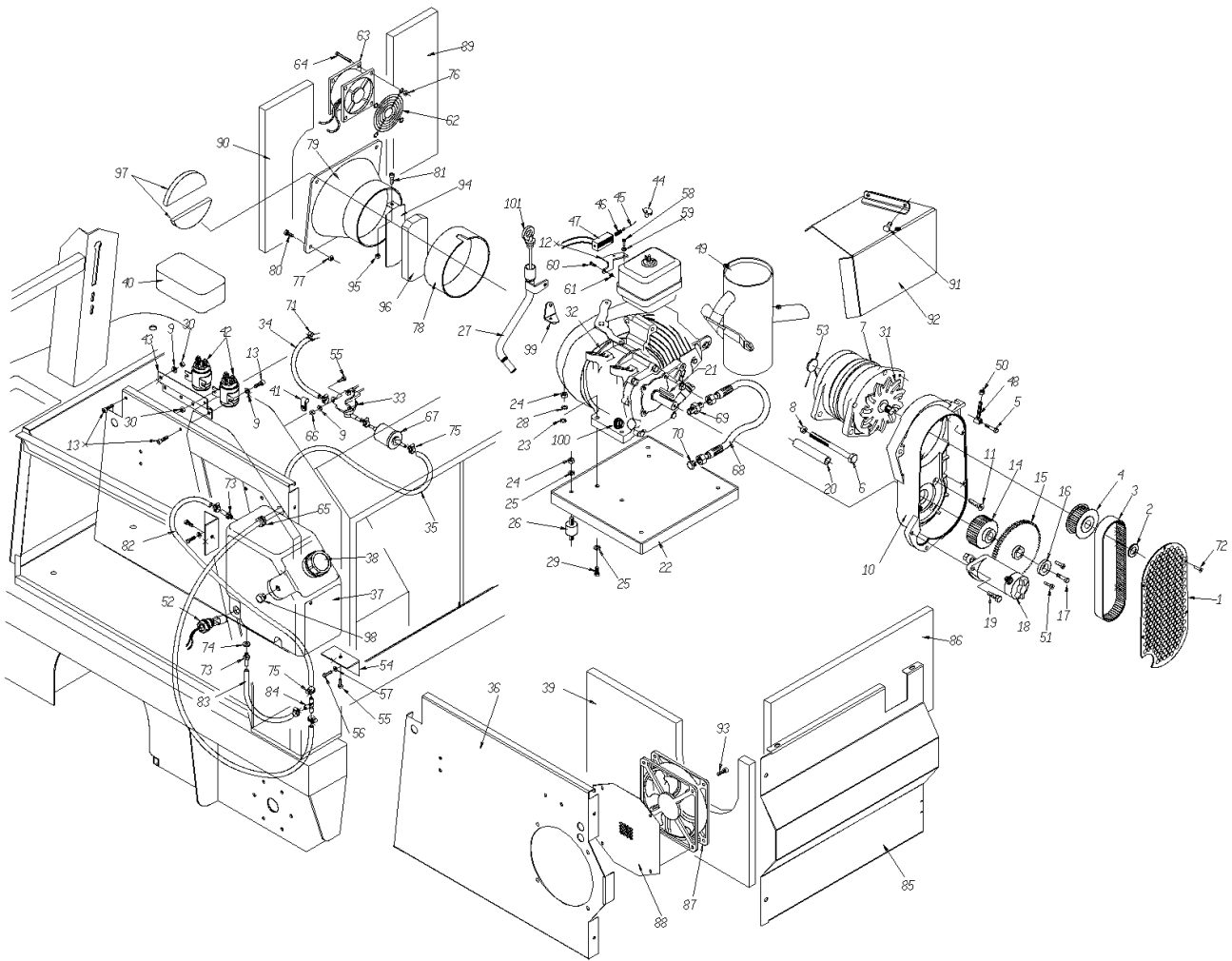
| Ref. | K | Part N. | Customer Part N. | Description | Qty | Validity: | | Price |
|------|---|-----------|------------------|-----------------------------|------|-----------|----|-------|
| | | | | | | From | To | |
| 0071 | | LAFN45717 | | PLATE L.14 | 1,00 | | | -- |
| 0072 | | VTVT00089 | | SCREW TCCE UNI 5931 4X10 ZB | 1,00 | | | -- |
| 0073 | | VTVT19472 | | SCREW TCEI M 8X10 UNI 5931 | 2,00 | | | -- |
| 0074 | | VTRS04931 | | WASHER COPPER D.13X19X1.5 | 2,00 | 08/2007 | | -- |



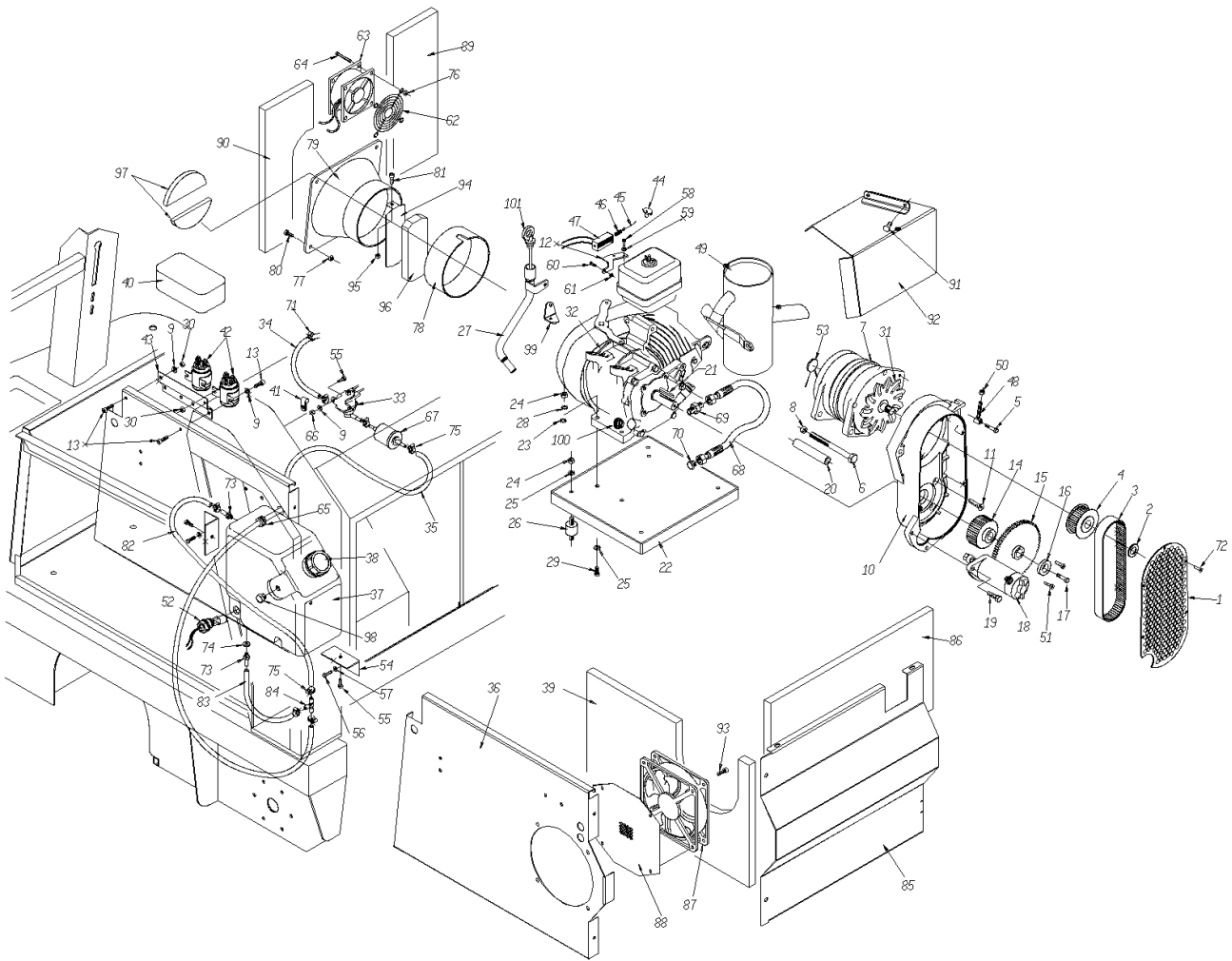
| Ref. | K | Part N. | Customer Part N. | Description | Qty | Validity: | | Price |
|------|---|-----------|------------------|---------------------------------|-------|-----------|----|-------|
| | | | | | | From | To | |
| 0001 | | MLML45109 | | SPRING TR D. 12X1.7X79.5 | 1,00 | | | -- |
| 0002 | | LAFN47128 | | LEVER L.14 | 1,00 | | | -- |
| 0003 | | VTDD00124 | | NUT M 8 BASSO | 1,00 | | | -- |
| 0004 | | LAFN47129 | | BUSHING L.14 A.FLAP | 1,00 | | | -- |
| 0005 | | VTVT00448 | | SCREW TE 8X30 UNI5739 | 1,00 | | | -- |
| 0006 | | CMCV87172 | | CABLE ALZA FLAP 2125404 | 1,00 | | | -- |
| 0007 | | CMCV75717 | | CLIP UNI 1676 M6 | 3,00 | | | -- |
| 0008 | | VTDD00012 | | NUT AUTOBLOK DIN 985 M12 ZB | 1,00 | | | -- |
| 0009 | | VTRS00506 | | WASHER D.12 UNI 6592 | 4,00 | | | -- |
| 0010 | | LAFN75976 | | SPRING GUIDE TK 1000 | 1,00 | | | -- |
| 0011 | | VTDD00482 | | NUT M 6 ZIN UNI 5588 | 2,00 | | | -- |
| 0012 | | VTVR47015 | | INSERT PLS. D.3 | 10,00 | | | -- |
| 0013 | | MPVR44781 | | RUBBER FLAP FRONT G1404-G1400 | 1,00 | | | -- |
| 0014 | | CMCV75717 | | CLIP UNI 1676 M6 | 2,00 | | | -- |
| 0014 | | CMCV76639 | | FORK M 6 UNI 1676 | 2,00 | | | -- |
| 0015 | | LAFN47130 | | PIN L.14 A.FLAP | 1,00 | | | -- |
| 0016 | | LAFN47131 | | SHEET METAL PA.FLAP ANTERIORE | 1,00 | | | -- |
| 0017 | | VTVT00044 | | SCREW TC AF.X PLAS UNI9707 4X16 | 6,00 | | | -- |
| 0018 | | CMCV47132 | | SHEATH L.14 A.FLAP | 1,00 | | | -- |
| 0019 | | CMCV75723 | | REGISTER D.7 | 1,00 | | | -- |
| 0020 | | LAFN75975 | | PIN TK | 1,00 | | | -- |
| 0021 | | VTAE14016 | | CIRCLIP D. 12 UNI 7435 | 1,00 | | | -- |
| 0022 | | VTRS04026 | | WASHER D. 6X18X2.38 | 8,00 | | | -- |
| 0023 | | VTVT00092 | | SCREW TBCE ISO 7380 6X22 ZB | 8,00 | | | -- |
| 0024 | | VTDD01682 | | NUT M12 ZC UNI 5588 | 1,00 | | | -- |
| 0025 | | LAFN75973 | | PIN FLAP TK | 1,00 | | | -- |
| 0026 | | CMCV75737 | | CLAMP D.7 art.857 | 1,00 | | | -- |
| 0027 | | VTVT75731 | | SCREW UNI 5923 6 X5 | 4,00 | | | -- |
| 0028 | | LAFN47030 | | BUSHING L.14 | 1,00 | | | -- |
| 0029 | | MPVR45096 | | RUBBER V 1201 GR. | 1,00 | | | -- |
| 0030 | | LAFN47133 | | PEDALE L.14 FLAP | 1,00 | | | -- |
| 0031 | | MPVR04669 | | FLAP LATERALE | 1,00 | | | -- |
| 0032 | | LAFN06601 | | PLATE FISSA FLAP | 1,00 | | | -- |
| 0033 | | MPVR04898 | | SUPPORT ASPIRATORE DX | 1,00 | | | -- |
| 0034 | | MPVR45327 | | RUBBER L.1400 PST | 1,00 | | | -- |
| 0035 | | MPVR04896 | | SUPPORT ASPIRATORE SX | 1,00 | | | -- |
| 0036 | | PMVR01208 | | LEVER FISSA FILTRO G1404 | 4,00 | | | -- |
| 0037 | | LAFN47137 | | FRAME PORTA FILTRO | 2,00 | | | -- |
| 0038 | | FTDP48536 | | FILTER L.14000 CAR. 2V. | 2,00 | | | -- |



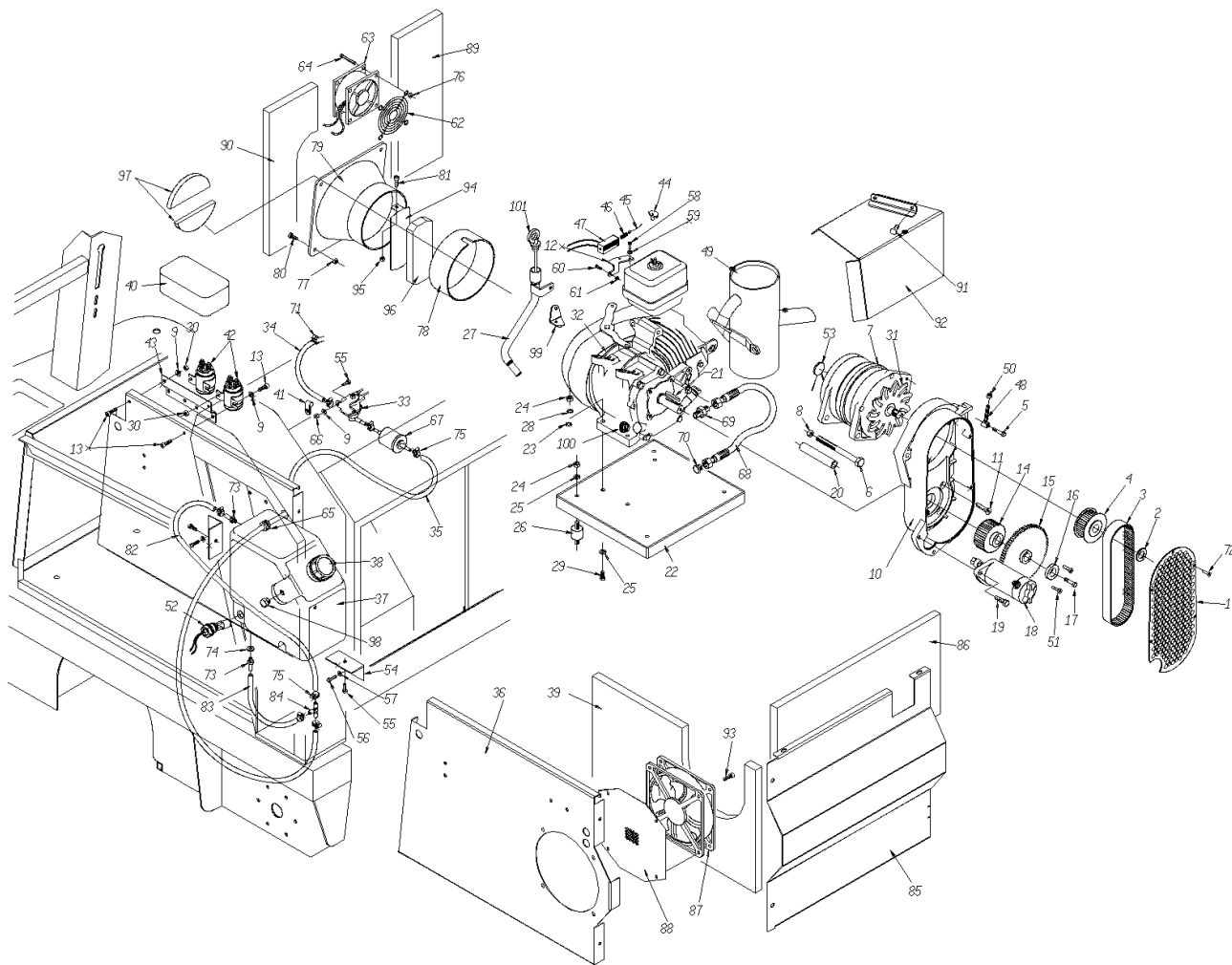
| Ref. | K | Part N. | Customer Part N. | Description | Qty | Validity: | | Price |
|------|---|-----------|------------------|----------------------------------|-------|-----------|----|-------|
| | | | | | | From | To | |
| 0039 | | MPVR45784 | | COVER CHIUSURA FILTRO | 1,00 | | | -- |
| 0040 | | CHVR26517 | | DRAWER CLOSURE LOLY 50 | 4,00 | | | -- |
| 0041 | | LAFN06599 | | PLATE FISSA FILTRO | 2,00 | | | -- |
| 0042 | | VTDD00491 | | NUT M 6 TEF | 8,00 | | | -- |
| 0043 | | VTVT75726 | | SCREW TBEI M 6X 16 ISO 7380 ZB | 8,00 | | | -- |
| 0044 | | MOCC00008 | | MOTOR SUCTION GENIUS SWEEPER | 2,00 | | | -- |
| 0045 | | GUVR46899 | | GASKET COPERCHIO | 1,00 | | | -- |
| 0046 | | LAFN01031 | | FRAME FISSA FILTRO | 2,00 | | | -- |
| 0047 | | MOCC00004 | | MOTOR D.63 24V G3800 W35 | 2,00 | | | -- |
| 0048 | | VTVT47138 | | SCREW TSP-TC 3,9X32 ZC. UNI6955 | 8,00 | | | -- |
| 0049 | | LAFN47139 | | MOTOR COVER L.14 FILT. | 4,00 | | | -- |
| 0050 | | VTVT75731 | | SCREW UNI 5923 6 X5 | 4,00 | | | -- |
| 0051 | | LAFN47140 | | BUSHING L.14 | 4,00 | | | -- |
| 0052 | | VTVT76616 | | SCREW M 4x18 STEAM GUN | 12,00 | | | -- |
| 0053 | | MFVR47141 | | FLANGE MOTOR L.14 | 4,00 | | | -- |
| 0054 | | MPVR00765 | | RUBBER FISSAGGIO FILO SCUOTIFIL. | 2,00 | | | -- |
| 0055 | | MOCC45112 | | MOTOR 24V CC ECC. | 2,00 | | | -- |
| 0056 | | VTVT47143 | | SCREW TSPEI M 10X 16 ZC UNI5933 | 2,00 | | | -- |
| 0057 | | VTVT13515 | | SCREW TSPEI M6x16 UNI5933 10.9 | 8,00 | | | -- |
| 0058 | | FSVR00005 | | CLAMP TIPO "ECO"FORO MM8 D.1 W0 | 1,00 | | | -- |
| 0059 | | VTDD00483 | | NUT M 8 ZIN UNI 5588 | 4,00 | | | -- |
| 0060 | | VTVT75724 | | SCREW TBEI M 8X 22 ISO 7380 ZB | 2,00 | | | -- |
| 0061 | | VTDD00124 | | NUT M 8 BASSO | 2,00 | | | -- |
| 0062 | | GUGO00305 | | GASKET ASPIRATORE | 2,00 | | | -- |
| 0063 | | ETET01404 | | LABEL PLANCIA | 1,00 | | | -- |
| 0064 | | VTRS00504 | | WASHER D. 8 TE ZC. UNI 6592 | 2,00 | | | -- |



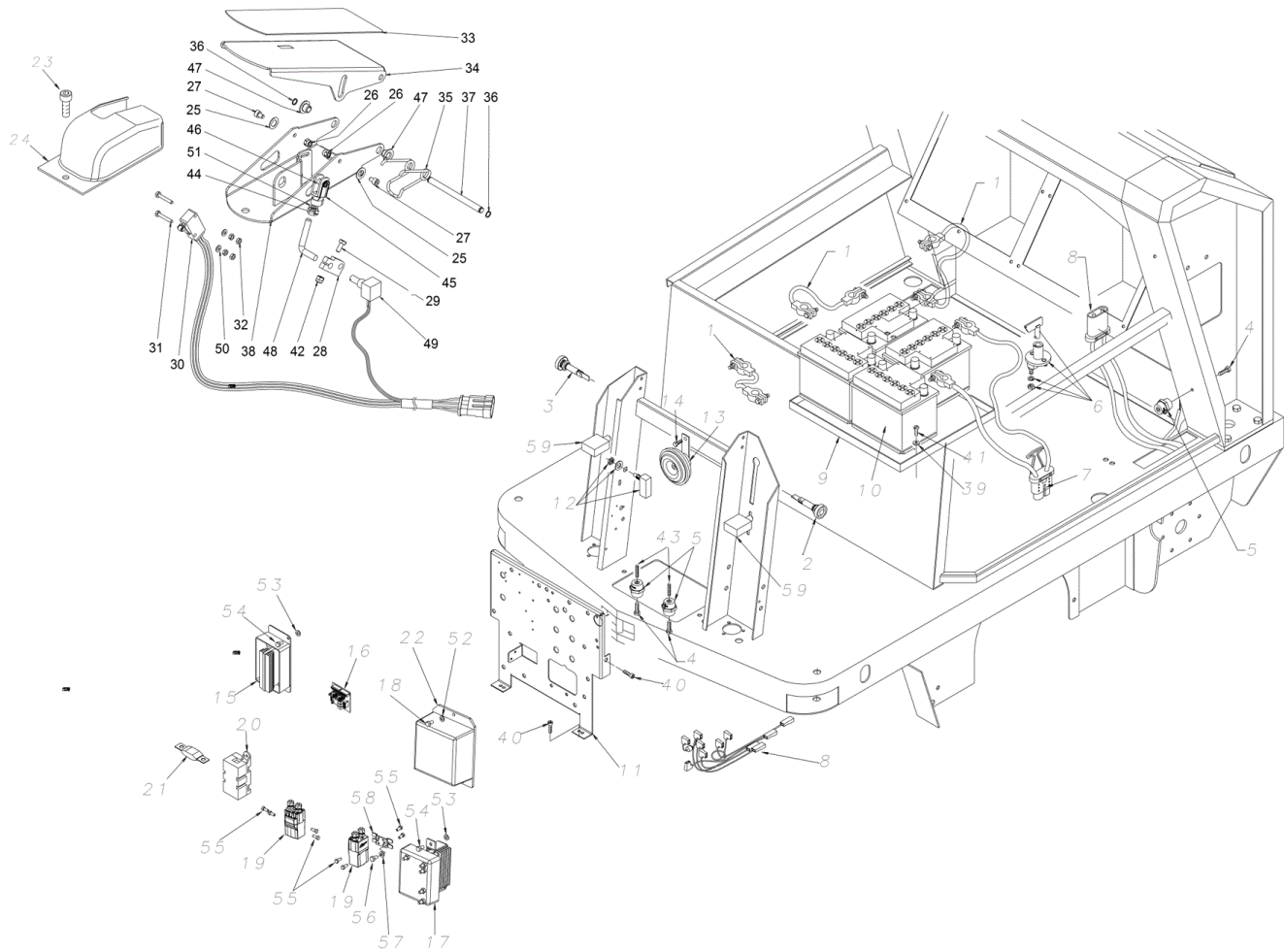
| Ref. | K | Part N. | Customer Part N. | Description | Qty | Validity: | | Price |
|------|---|-----------|------------------|-----------------------------------|-------|-----------|----|-------|
| | | | | | | From | To | |
| 0001 | | LAFN47152 | | BRACKET PROTEZIONE | 1,00 | | | -- |
| 0002 | | LAFN00271 | | NUT FISSA PULEGGIA ALTERNA. | 1,00 | | | -- |
| 0003 | | MTCG44555 | | BELT HTD 565-5M 25 | 1,00 | | | -- |
| 0004 | | MTPL45322 | | PULLEY HTD 40-5M 25 6F TK14 | 1,00 | | | -- |
| 0005 | | VTVT28307 | | SCREW TCCE UNI 5931 10X70 ZN | 1,00 | | | -- |
| 0006 | | VTVT16260 | | SCREW TE M 10X160 UNI 5737 ZC | 1,00 | | | -- |
| 0007 | | ARGN00004 | | ALTERNATOR 28V-80A | 1,00 | | | -- |
| 0008 | | VTDD00042 | | NUT AUT.M10 UNI7474 | 1,00 | | | -- |
| 0009 | | VTRS00503 | | WASHER D. 6 TE UNI 6798 | 2,00 | | | -- |
| 0010 | | MFVR47154 | | CRANKCASE L.14 | 1,00 | | | -- |
| 0011 | | VTVT63134 | | SCREW M 8X25 TSPEI ZC UNI 5933 | 4,00 | | | -- |
| 0012 | | LAFN47155 | | BRACKET L.14 | 1,00 | | | -- |
| 0013 | | VTVT62920 | | SCREW TE F/ROND. M 6X 16 ZB | 4,00 | | | -- |
| 0014 | | MTPL45323 | | PULLEY L.14 6.5HP | 1,00 | | | -- |
| 0015 | | MTCR45720 | | TOOTHED WHEEL Z. 80 P 1.75 | 1,00 | | | -- |
| 0016 | | LAFN06832 | | WASHER BLOCCA INGRANAGGIO | 1,00 | | | -- |
| 0017 | | VTVT00448 | | SCREW TE 8X30 UNI5739 | 1,00 | | | -- |
| 0018 | | MOCC45115 | | MOTOR 24V 300W SX | 1,00 | | | -- |
| 0019 | | VTVT01119 | | SCREW TCEI 8X20 UNI5931 | 2,00 | | | -- |
| 0020 | | LAFN47157 | | SPACER L.14 | 1,00 | | | -- |
| 0021 | | VTVR47158 | | KEY 5X 5X41 UNI 6604 | 1,00 | | | -- |
| 0022 | | LAFN47159 | | MOTOR PLATE L.14 | 1,00 | | | -- |
| 0023 | | VTRS00504 | | WASHER D. 8 TE ZC. UNI 6592 | 8,00 | | | -- |
| 0024 | | VTDD00124 | | NUT M 8 BASSO | 10,00 | | | -- |
| 0025 | | VTRS00512 | | WASHER D. 8 X24 ZC. | 8,00 | | | -- |
| 0026 | | ABGO00007 | | VIBRATION DAMP.MM 30X25 8X16 | 4,00 | | | -- |
| 0027 | | LAFN06796 | | TUBE ASTA LIVELLO OLIO | 1,00 | | | -- |
| 0028 | | VTRS01080 | | WASHER D. 8 GRW | 4,00 | | | -- |
| 0029 | | VTVT00450 | | SCREW TE 8X40 UNI5739 | 4,00 | | | -- |
| 0030 | | VTDD00491 | | NUT M 6 TEF | 2,00 | | | -- |
| 0031 | | VEVR47160 | | IMPELLER ALTER. A.OR. | 1,00 | | | -- |
| 0032 | | MOSC47149 | | ENGINE MOTOR HONDA GX200 QM- 4-OH | 1,00 | | | -- |
| 0033 | | MEEV47161 | | SOLENOID VALVE FUEL | 1,00 | | | -- |
| 0034 | | TBBP00021 | | TUBE COMBUSTIBILE L=80 cm | 1,00 | | | -- |
| 0036 | | LAFN06976 | | SPACER VANO MOTORE | 1,00 | | | -- |
| 0037 | | MPVR00280 | | TANK CARBURANTE TK1400 DIESEL | 1,00 | | | -- |
| 0038 | | MPVR47165 | | TANK CAP C/VALV. | 1,00 | | | -- |
| 0039 | | ITSO00045 | | PANEL ISOLATORE | 1,00 | | | -- |
| 0040 | | MPVR47166 | | PROTECTION L.14 TLR. | 1,00 | | | -- |



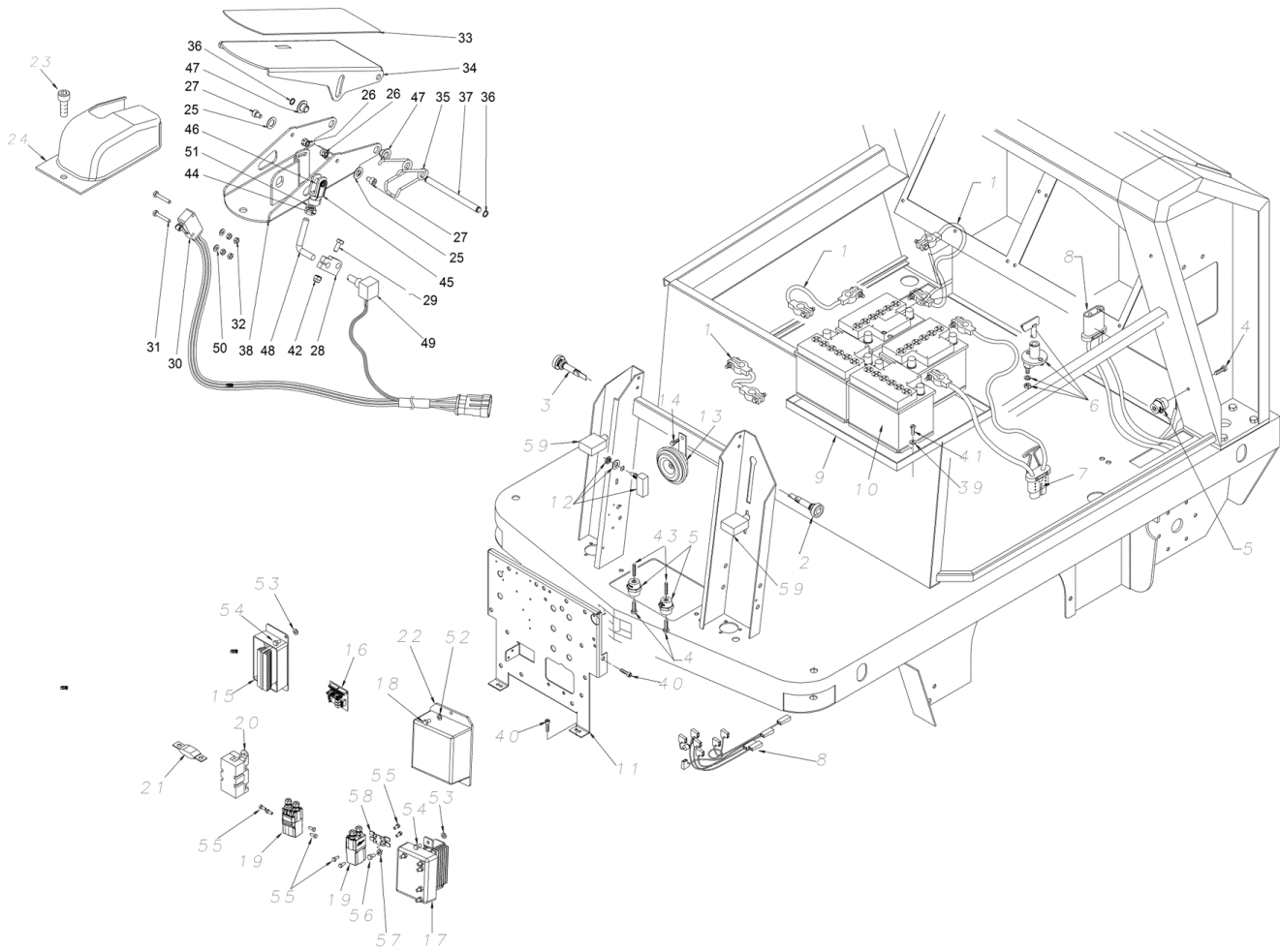
| Ref. | K | Part N. | Customer Part N. | Description | Qty | Validity: | | Price |
|------|---|-----------|------------------|--|------|-----------|---------|-------|
| | | | | | | From | To | |
| 0041 | | FSVR00005 | | CLAMP TIPO "ECO"FORO MM8 D.1 W0 | 5,00 | | | -- |
| 0042 | | METT45116 | #8479.90.9498 | CONTACTOR 24V T106 P | 2,00 | | | -- |
| 0043 | | LAFN47167 | | BRACKET L.14 | 1,00 | | | -- |
| 0044 | | MEVR45117 | | BALANCER L.14 | 1,00 | | | -- |
| 0045 | | MEVR45118 | | CONNECTING ROD L.14 | 1,00 | | | -- |
| 0046 | | MLML00348 | | SPRING - | 1,00 | 10/2014 | | -- |
| 0046 | | MLML45119 | | SPRING L.14 | 1,00 | | 10/2014 | -- |
| 0047 | | MEVR02100 | | SOLENOID - | 1,00 | 10/2014 | | -- |
| 0047 | | MEVR45120 | | SOLENOID K9B-36DL-1041 | 1,00 | | 10/2014 | -- |
| 0048 | | LAFN47168 | | BELT-STRETCHER L.14 | 1,00 | | | -- |
| 0049 | | MRSC00069 | | SILENCER HD COMPLETA | 1,00 | | | -- |
| 0050 | | VTDD19688 | | NUT M6 UNI 7473 | 1,00 | | | -- |
| 0051 | | VTVT00066 | | SCREW TCCE UNI 5931 8X25 ZB | 2,00 | | | -- |
| 0052 | | MECI85110 | | SWITCH S1.PML.M16 | 1,00 | | | -- |
| 0053 | | METK47170 | | PROBE F11-140° NC | 1,00 | | | -- |
| 0054 | | LAFN47171 | | BRACKET L.14 TANK. | 1,00 | | | -- |
| 0055 | | VTVT75719 | | SCREW TE F/ROND. M 6 X 10 | 2,00 | | | -- |
| 0056 | | VTVT17639 | | SCREW TCEI M 5X10 UNI 5931 | 2,00 | | | -- |
| 0057 | | VTRS15958 | | WASHER D. 5 X15 UNI 6593 | 2,00 | | | -- |
| 0058 | | VTVT10068 | | SCREW TC -TC 3X 6 UNI 7687 | 2,00 | | | -- |
| 0059 | | VTRS27296 | | WASHER GROWER 3 ZNT | 2,00 | | | -- |
| 0060 | | VTVT00107 | | SCREW TCTC UNI 7687 3X12 ZB | 1,00 | | | -- |
| 0061 | | VTDD00001 | | NUT UNI 5588 M3 ZB | 1,00 | | | -- |
| 0062 | | LAFN00009 | | BRACKET PROTEZIONE | 1,00 | | | -- |
| 0063 | | VEVR45113 | | VENTILATOR 24V RF. | 1,00 | | | -- |
| 0064 | | VTVT72043 | | SCREW M 4 X16 TC UNI7687 | 8,00 | | | -- |
| 0065 | | MEVR00094 | | FAIR-LEAD EGP15-20S.60 PAS1 | 1,00 | | | -- |
| 0066 | | VTDD00482 | | NUT M 6 ZIN UNI 5588 | 2,00 | | | -- |
| 0067 | | FTCO00008 | | FILTER FB 1/A | 1,00 | | | -- |
| 0068 | | TBBP47172 | | L.P. HOSE L=300 1/4F -1/4F 0° | 1,00 | | | -- |
| 0069 | | RCDS47173 | | NIPPLE 1/4 -M10X1.25 | 1,00 | | | -- |
| 0070 | | RCDS00002 | | CAP 1/4" | 1,00 | | | -- |
| 0071 | | FSVR19693 | | CLAMP D. 7-11 | 1,00 | | | -- |
| 0072 | | VTVT00005 | | SCREW TE FR 5X12 ZB | 5,00 | | | -- |
| 0073 | | LAFN01091 | | HOSE FITTING SERBATOIO CARBURANTE 1400 | 1,00 | | | -- |
| 0074 | | GUVR47174 | | GASKET L.14 | 2,00 | | | -- |
| 0075 | | FSVR19692 | | CLAMP D. 11-16 VT | 9,00 | | | -- |
| 0076 | | VTDD00039 | | NUT M 4 AB UNI7474 ZC 10/8G | 8,00 | | | -- |
| 0077 | | VTDD00491 | | NUT M 6 TEF | 4,00 | | | -- |



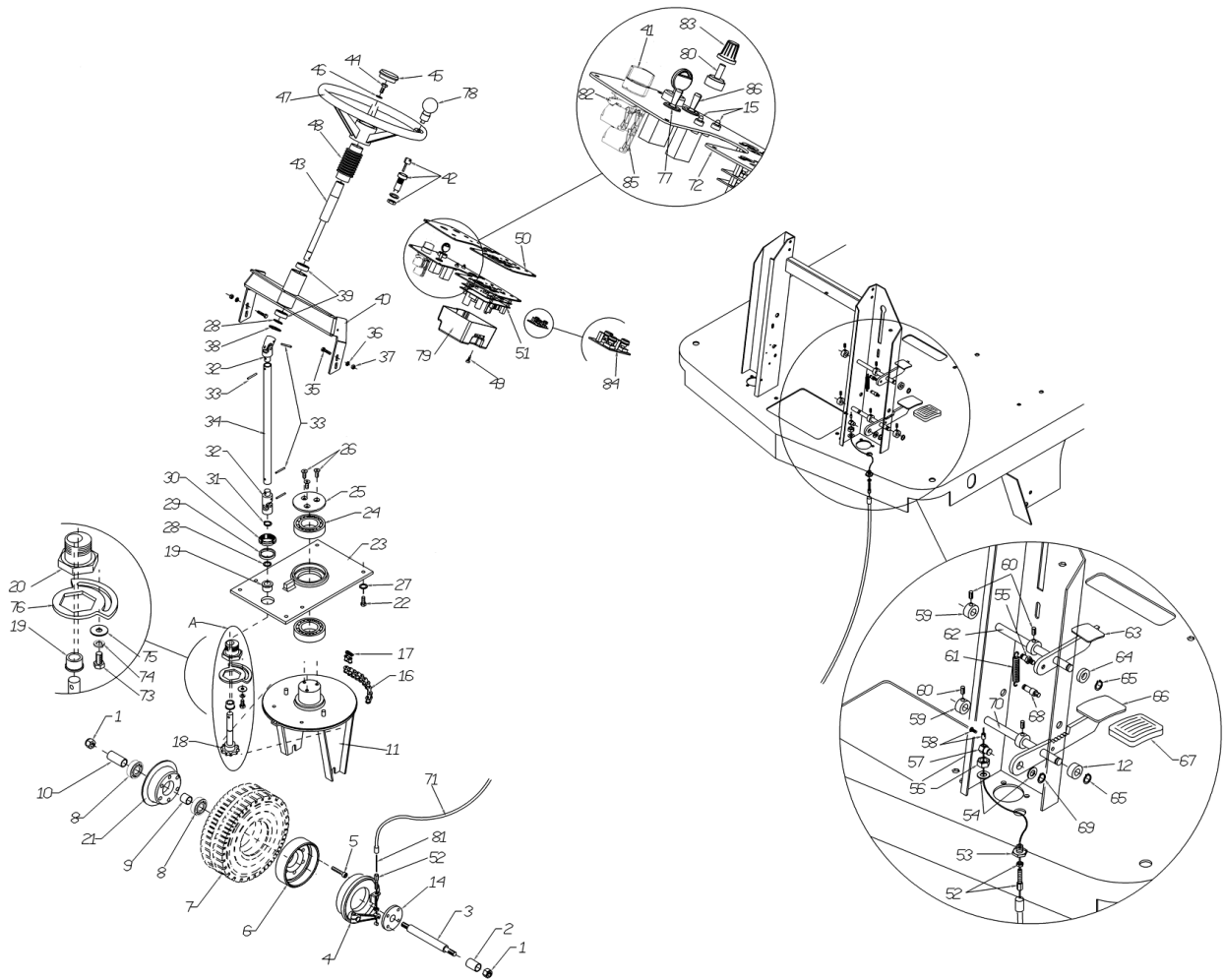
| Ref. | K | Part N. | Customer Part N. | Description | Qty | Validity: | | Price |
|------|---|-----------|------------------|------------------------------------|------|-----------|----|-------|
| | | | | | | From | To | |
| 0078 | | GUVR45977 | | GASKET L.14 | 1,00 | | | -- |
| 0079 | | LAFN45978 | | CONVEYOR L.14 | 1,00 | | | -- |
| 0080 | | VTVT75726 | | SCREW TBEI M 6X 16 ISO 7380 ZB | 4,00 | | | -- |
| 0081 | | VTVT75725 | | SCREW TBEI M 6X 10 ISO 7380 ZB | 2,00 | | | -- |
| 0082 | | TBBP00022 | | TUBE COMBUSTIBILE L=50cm | 1,00 | | | -- |
| 0083 | | TBBP00022 | | TUBE COMBUSTIBILE L=50cm | 1,00 | | | -- |
| 0084 | | RCVR00083 | | CONNECTOR A "T" | 1,00 | | | -- |
| 0085 | | LAFN06977 | | SHEET METAL PA.PARATIA VANO MOTORE | 1,00 | | | -- |
| 0086 | | ITSO00044 | | PANEL ISOLATORE PORTASEDILE | 1,00 | | | -- |
| 0087 | | MOCC00283 | | IMPELLER VANO MOTORE | 1,00 | | | -- |
| 0088 | | LAFN06301 | | BRACKET PROTEZIONE | 1,00 | | | -- |
| 0089 | | ITSO00050 | | PANEL ISOLATORE | 1,00 | | | -- |
| 0090 | | ITSO00048 | | PANEL ISOLATORE | 1,00 | | | -- |
| 0091 | | VTVT01532 | | SCREW TE 6X25 UNI5739 | 2,00 | | | -- |
| 0092 | | LAFN06975 | | CONVEYOR ARIA | 1,00 | | | -- |
| 0093 | | VTVT62920 | | SCREW TE F/ROND. M 6X 16 ZB | 4,00 | | | -- |
| 0094 | | LAFN06980 | | SHEET METAL PA.PARZIALIZZATORE | 1,00 | | | -- |
| 0095 | | VTDD86633 | | NUT AUTO BLOCK M6 DIN 985 | 2,00 | | | -- |
| 0096 | | ITSO00049 | | PANEL ISOLATORE | 1,00 | | | -- |
| 0097 | | ITSO00007 | | PANEL FONASS.MEZZALUNA DIESEL | 2,00 | | | -- |
| 0098 | | RCDS00002 | | CAP 1/4" | 1,00 | | | -- |
| 0099 | | LAFN06838 | | BRACKET FISSA ASTA OLIO | 1,00 | | | -- |
| 0100 | | MPVR04911 | | RUBBER ASTA LIVELLO OLIO | 1,00 | | | -- |
| 0101 | | TBBP00383 | | ROD LIVELLO OLIO | 1,00 | | | -- |



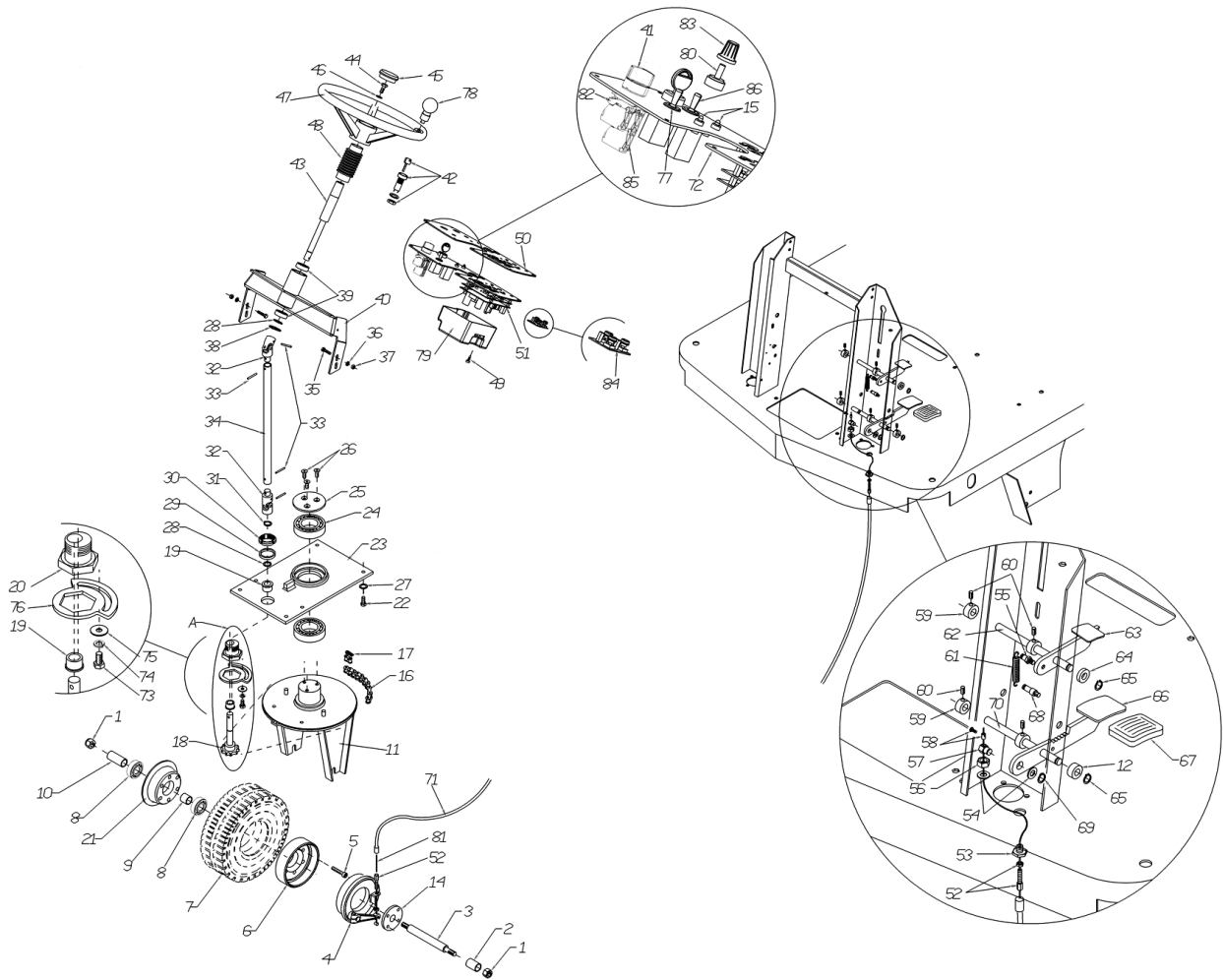
| Ref. | K | Part N. | Customer Part N. | Description | Qty | Validity: | | Price |
|------|---|-----------|------------------|---|------|-----------|---------|-------|
| | | | | | | From | To | |
| 0001 | | MEVR34820 | | WIRING B 450 BT | 3,00 | | | -- |
| 0002 | | MECI00026 | | BUTTON PIATTO ROTONDO D.22 ROSSO | 1,00 | | | -- |
| 0003 | | MECI00028 | | BUTTON DI EMERGENZA TK1400 24V | 1,00 | | | -- |
| 0004 | | VTVT75719 | | SCREW TE F/ROND. M 6 X 10 | 2,00 | | | -- |
| 0005 | | MEVR47082 | | INSULATOR M6 35-CH32 | 3,00 | | | -- |
| 0006 | | AZMC75803 | | DIASS.SPANNERSW 1000 | 1,00 | | | -- |
| 0007 | | MECB44780 | | WIRING BATTERIA | 1,00 | | | -- |
| 0008 | | MECB00948 | | WIRING 1404 E | 1,00 | | 07/2012 | -- |
| 0008 | | MECB00950 | | WIRING 1404 E | 1,00 | | 07/2012 | -- |
| 0008 | | MECB01290 | | CABLE FLAT CT30 | 1,00 | 07/2012 | | -- |
| 0009 | | LAFN46836 | | BATTERY SUPPORTL.14000 TK | 1,00 | | | -- |
| 0011 | | LAFN06784 | | PLATE SUPPORTO ELETTRONICA | 1,00 | | 07/2012 | -- |
| 0011 | | LAFN09188 | | BRACKET - | 1,00 | 07/2012 | | -- |
| 0012 | | MECI75801 | | MICROSWITCH TK | 2,00 | | | -- |
| 0013 | | MEVR47083 | | KLAXON L.14 24V | 1,00 | | | -- |
| 0014 | | VTVT85116 | | SCREW TE FR 6,3X19 ZIN | 1,00 | | | -- |
| 0015 | | MECE00420 | | BOARD POTENZA CASSETTO COMPL. | 1,00 | | | -- |
| 0016 | | MECE45124 | | PCB RELE' L.1400 | 1,00 | | | -- |
| 0017 | | MECE00552 | | BOARD 1404 | 1,00 | | | -- |
| 0018 | | VTVT14062 | | SCREW TE 5X16 UNI5739 | 3,00 | | | -- |
| 0019 | | METT00085 | | CONTACTOR 100A | 2,00 | | | -- |
| 0020 | | MEVR00146 | | FUSE-HOLDER MEGA | 1,00 | | | -- |
| 0021 | | MEVR01925 | | FUSE 150A | 1,00 | | | -- |
| 0022 | | MECE00555 | | BOARD CURTIS 1227-2102 | 1,00 | | | -- |
| 0023 | | VTVT62920 | | SCREW TE F/ROND. M 6X 16 ZB | 1,00 | | | -- |
| 0024 | | MPVR00302 | | CRANKCASE PEDALE AVANZAMENTO | 1,00 | | | -- |
| 0025 | | MPVR05528 | | WASHER - | 2,00 | | | -- |
| 0026 | | VTDD04369 | | NUT M 4 TEF UNI 7473 | 2,00 | | | -- |
| 0027 | | VTVT00089 | | SCREW TCCE UNI 5931 4X10 ZB | 2,00 | | | -- |
| 0028 | | LAFN01149 | | CONNECTING ROD PEDALE AVANZAMENTO G1050 | 1,00 | | | -- |
| 0029 | | VTVT00727 | | SCREW TE M. 4-20 | 1,00 | | | -- |
| 0030 | | MECB01228 | | WIRING - | 1,00 | | | -- |
| 0031 | | VTVT01350 | | SCREW M3-20 INOX | 2,00 | | | -- |
| 0032 | | VTDD21115 | | NUT M 3 INOX | 2,00 | | | -- |
| 0033 | | MPVR00866 | | PLANE ANTISDRUCCIOLO G1050 | 1,00 | | | -- |
| 0034 | | LAFN06474 | | SHEET METAL PA.PEDALE | 1,00 | | | -- |
| 0035 | | MLML00034 | | SPRING PEDALE AVANZAMENTO G1050 | 1,00 | | | -- |
| 0036 | | VTAE48552 | | CIRCLIP D. 6 UNI 7435 | 2,00 | | | -- |
| 0037 | | LAFN00524 | | PIN PEDALE TK 1050 | 1,00 | | | -- |



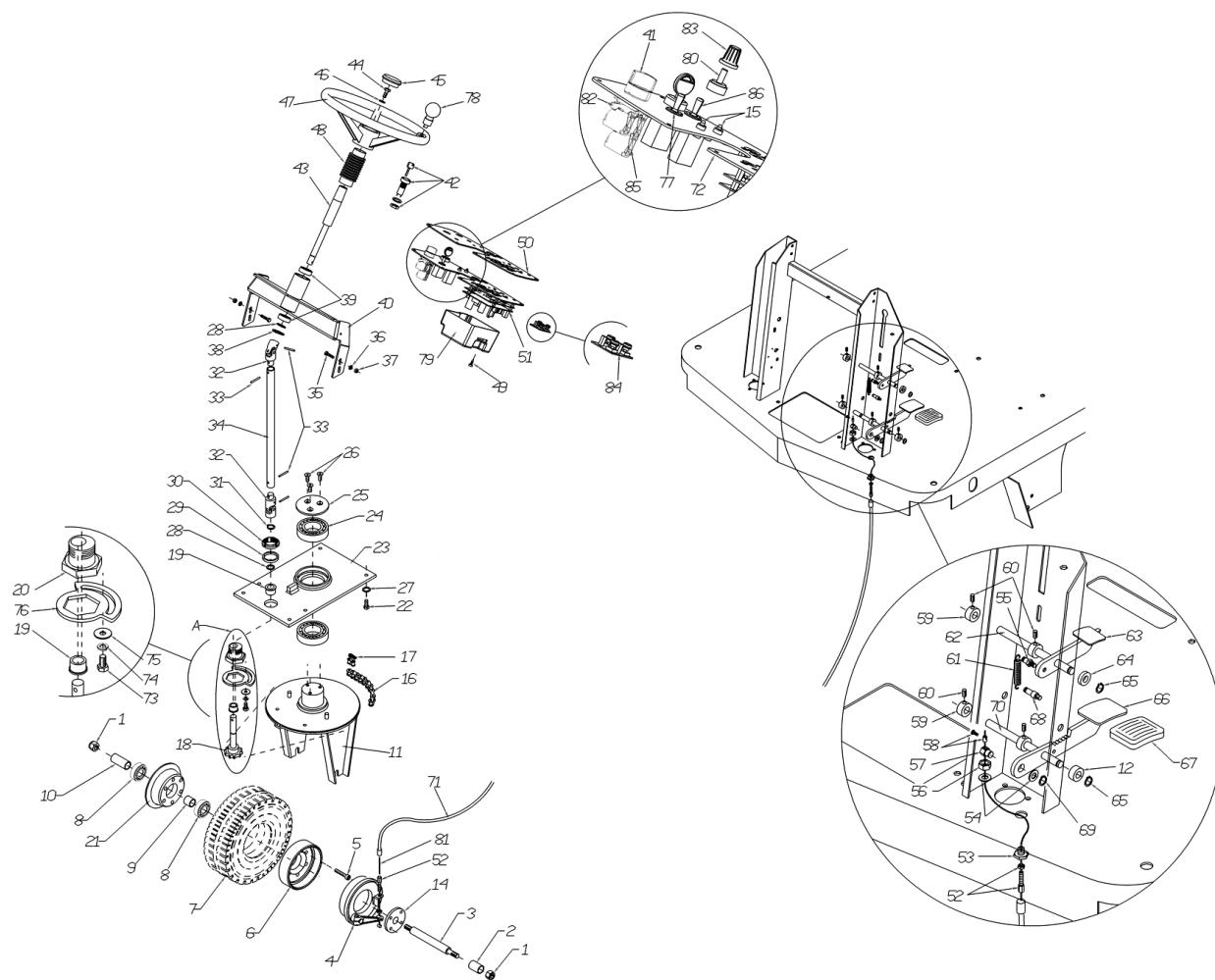
| Ref. K | Part N. | Customer Part N. | Description | Qty | Validity: | | Price |
|--------|-----------|------------------|--------------------------------|------|-----------|----|-------|
| | | | | | From | To | |
| 0038 | LAFN07532 | | BUSHING - | 1,00 | | | -- |
| 0039 | VTRS00503 | | WASHER D. 6 TE UNI 6798 | 4,00 | | | -- |
| 0040 | VTVT62920 | | SCREW TE F/ROND. M 6X 16 ZB | 4,00 | | | -- |
| 0041 | VTVT75726 | | SCREW TBEI M 6X 16 ISO 7380 ZB | 4,00 | | | -- |
| 0042 | VTDD04369 | | NUT M 4 TEF UNI 7473 | 1,00 | | | -- |
| 0043 | VTVT47088 | | SCREW EI-ST 6X30 UNI5923 ZC | 2,00 | | | -- |
| 0044 | VTDD00482 | | NUT M 6 ZIN UNI 5588 | 1,00 | | | -- |
| 0045 | CMCV75717 | | CLIP UNI 1676 M6 | 1,00 | | | -- |
| 0046 | CMCV76639 | | FORK M 6 UNI 1676 | 1,00 | | | -- |
| 0047 | CUVR00183 | | BUSHING - | 2,00 | | | -- |
| 0048 | LAFN00909 | | BRACKET BIELLETTA PEDALE | 1,00 | | | -- |
| 0049 | MECB01227 | | WIRING ACCELERATOR | 1,00 | | | -- |
| 0050 | VTRS00117 | | WASHER 3.2X7 UNI6592 | 4,00 | | | -- |
| 0051 | VTRS01079 | | WASHER D. 6 GROWER | 1,00 | | | -- |
| 0052 | VTRS00502 | | WASHER D. 5 0.466 UNI 6592 | 3,00 | | | -- |
| 0053 | VTRS00365 | | THICKNESS 18X25X1 | 4,00 | | | -- |
| 0054 | VTVT01127 | | SCREW TE M6x20 | 4,00 | | | -- |
| 0055 | VTVT62916 | | SCREW TE M5X12 ZN UNI 5739-8.8 | 8,00 | | | -- |
| 0056 | VTVT21295 | | SCREW TE M5X20 ZINC. UNI 5739 | 2,00 | | | -- |
| 0057 | VTRS08013 | | WASHER D. 5 GRW | 2,00 | | | -- |
| 0058 | LAFN07345 | | BRACKET TL10 | 1,00 | | | -- |
| 0059 | METT00044 | | CARRYNG BAG | 2,00 | 11/2012 | | -- |



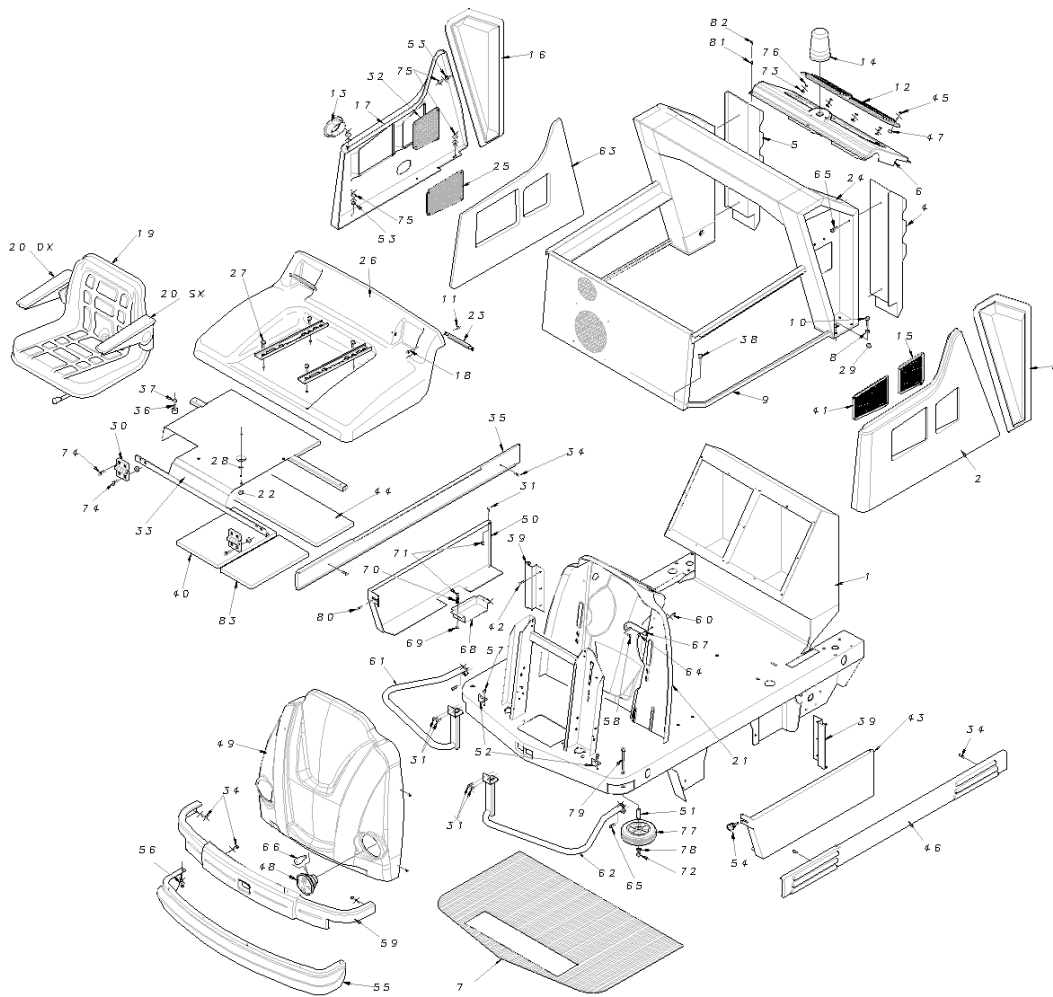
| Ref. | K | Part N. | Customer Part N. | Description | Qty | Validity: | | Price |
|------|---|-----------|------------------|--|------|-----------|----|-------|
| | | | | | | From | To | |
| 0001 | | VTDD00012 | | NUT AUTOBLOK DIN 985 M12 ZB | 2,00 | | | -- |
| 0002 | | LAFN47017 | | SPACER D. 20-24 L=55 | 1,00 | | | -- |
| 0003 | | LAFN45089 | | WHEEL PIN TK1400 ANT. | 1,00 | | | -- |
| 0004 | | RTRT45090 | | BLOCK BRAKE D.125 TK | 1,00 | | | -- |
| 0005 | | VTVT00066 | | SCREW TCCE UNI 5931 8X25 ZB | 6,00 | | | -- |
| 0006 | | LAFN45091 | | HUB TK1400 FRN. | 1,00 | | | -- |
| 0007 | | RTRT45132 | | WHEEL D.306 4.00-4 S.EL. | 1,00 | | | -- |
| 0008 | | CUVR08998 | | BALL BEARING 6204 2RS1 | 2,00 | | | -- |
| 0009 | | LAFN45336 | | SPACER D. 20-24 L=22 | 1,00 | | | -- |
| 000A | | KTRI46514 | | PIN TK 1000 + BUSCH. | 1,00 | | | -- |
| 0010 | | LAFN47018 | | SPACER D. 20-24 L=35 | 1,00 | | | -- |
| 0011 | | LAFN45092 | | WHEEL SUPPORT TK1400 ANT. | 1,00 | | | -- |
| 0012 | | LAFN47019 | | BUSHING L.14 | 1,00 | | | -- |
| 0014 | | LAFN45872 | | FLANGE L.14 | 1,00 | | | -- |
| 0015 | | MEVR00141 | | OIL WARN-LIGHT LED OLIO,BENZINA TK1400 | 1,00 | | | -- |
| 0016 | | MTCR45093 | | CHAIN 3/8 TK1400 STE. | 1,00 | | | -- |
| 0017 | | MTCR47037 | | WARP KNITTING 3/8 | 1,00 | | | -- |
| 0018 | | LAFN75974 | | PIN TK 1000 | 1,00 | | | -- |
| 0019 | | LAFN75841 | | BUSHING TK 1000 | 2,00 | | | -- |
| 0020 | | LAFN75842 | | BUSHING TK 1000 | 1,00 | | | -- |
| 0021 | | LAFN45083 | | HUB TK1400 AN/PST. | 1,00 | | | -- |
| 0022 | | VTVT00447 | | SCREW TE 8X25 UNI5739 | 6,00 | | | -- |
| 0023 | | LAFN45094 | | FLANGE TK1400 | 1,00 | | | -- |
| 0024 | | CUVR75816 | | BEARING 51112 | 2,00 | | | -- |
| 0025 | | LAFN47004 | | FLANGE TK1400 | 1,00 | | | -- |
| 0026 | | VTVT00014 | | SCREW TE UNI 5739 8X20 CL.10.9 | 3,00 | | | -- |
| 0027 | | VTRS01080 | | WASHER D. 8 GRW | 6,00 | | | -- |
| 0028 | | LAFN47020 | | THICKNESS D.15X22X1.0 | 2,00 | | | -- |
| 0029 | | LAFN75913 | | SPACER TK | 1,00 | | | -- |
| 0030 | | VTVR75747 | | RING NUT AUTOBLOK M 35 X 1,5 GUK | 1,00 | | | -- |
| 0031 | | VTAE17003 | | CIRCLIP D. 15 UNI 7435 | 1,00 | | | -- |
| 0032 | | VTVR47021 | | ARTICULATION D. 5-15 | 2,00 | | | -- |
| 0033 | | VTVR46987 | | ELASTIC PLUG 5X25 UNI 6873 | 4,00 | | | -- |
| 0034 | | LAFN47022 | | LOW STEERING L.14 | 1,00 | | | -- |
| 0035 | | VTVT62920 | | SCREW TE F/ROND. M 6X 16 ZB | 4,00 | | | -- |
| 0036 | | VTRS04026 | | WASHER D. 6X18X2.38 | 4,00 | | | -- |
| 0037 | | VTDD00491 | | NUT M 6 TEF | 4,00 | | | -- |
| 0038 | | VTAE17003 | | CIRCLIP D. 15 UNI 7435 | 1,00 | | | -- |
| 0039 | | CUVR00005 | | BEARING 6202 2RS | 2,00 | | | -- |



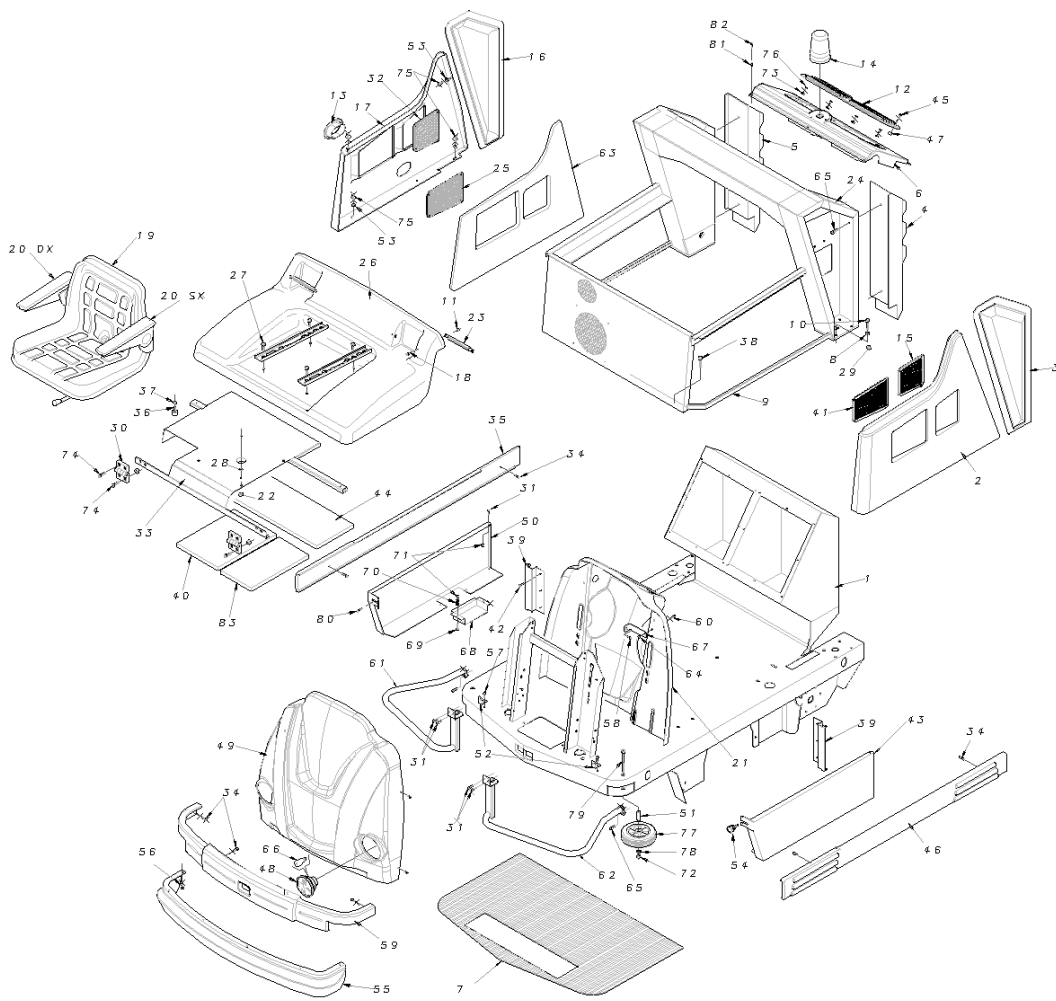
| Ref. | K | Part N. | Customer Part N. | Description | Qty | Validity: | | Price |
|------|---|-----------|------------------|---------------------------------|-------|-----------|----|-------|
| | | | | | | From | To | |
| 0040 | | LAFN06791 | | ASSEMBLED SUPPORTO PIANTONE | 1,00 | | | -- |
| 0041 | | MEVR02011 | | SELECTOR - | 1,00 | | | -- |
| 0042 | | MECI75805 | | SWITCH TK | 1,00 | | | -- |
| 0043 | | LAFN47024 | | UP STEERING L.14 | 1,00 | | | -- |
| 0044 | | VTVT47025 | | SCREW TBEI M 10X 16 ISO 7380 ZB | 1,00 | | | -- |
| 0045 | | MPVR47026 | | BLACK CAP L.14 | 1,00 | | | -- |
| 0046 | | VTRS44254 | | WASHER D.10 X40X2.5 UNI6593 | 1,00 | | | -- |
| 0047 | | MPVR47027 | | STEERING WHEEL D. 320 L.14 | 1,00 | | | -- |
| 0048 | | MPVR47066 | | PROTECTOR L.14 | 1,00 | | | -- |
| 0049 | | VTVT00288 | | SCREW TCTC 4X10 | 2,00 | | | -- |
| 0050 | | ETET01722 | | LABEL PLANCIA | 1,00 | | | -- |
| 0051 | | MECE00557 | | BOARD DISPLAY LOGIC 1404 CURTIS | 1,00 | | | -- |
| 0052 | | CMCV75723 | | REGISTER D.7 | 1,00 | | | -- |
| 0053 | | LAFN75975 | | PIN TK | 1,00 | | | -- |
| 0054 | | VTRS00506 | | WASHER D.12 UNI 6592 | 2,00 | | | -- |
| 0055 | | LAFN47029 | | PIN CH.10 H.16 | 1,00 | | | -- |
| 0056 | | VTDD01682 | | NUT M12 ZC UNI 5588 | 1,00 | | | -- |
| 0057 | | LAFN75973 | | PIN FLAP TK | 11,00 | | | -- |
| 0058 | | VTVR00031 | | CLAMP FRENO TK1400 | 1,00 | | | -- |
| 0059 | | LAFN47030 | | BUSHING L.14 | 4,00 | | | -- |
| 0060 | | VTVT75731 | | SCREW UNI 5923 6 X5 | 3,00 | | | -- |
| 0061 | | MLML75960 | | SPRING D. 8 X1 X32 | 1,00 | | | -- |
| 0062 | | LAFN47031 | | PIN L.14 | 1,00 | | | -- |
| 0063 | | LAFN47032 | | PEDALE L.14 | 1,00 | | | -- |
| 0064 | | LAFN47033 | | BUSHING L.14 | 1,00 | | | -- |
| 0065 | | VTAE87276 | | SEGER EXT. D10 DIN471 | 2,00 | | | -- |
| 0066 | | LAFN47034 | | BRAKE PEDAL L.14 | 1,00 | | | -- |
| 0067 | | MPVR45096 | | RUBBER V 1201 GR. | 1,00 | | | -- |
| 0068 | | LAFN47035 | | PIN CH.10 H.26 | 1,00 | | | -- |
| 0069 | | VTAE14016 | | CIRCLIP D. 12 UNI 7435 | 1,00 | | | -- |
| 0070 | | LAFN47036 | | PIN BRK.+FLAP L.14 | 1,00 | | | -- |
| 0071 | | CMCV87173 | | SHEATH CAVO FRENO 21251013 | 1,00 | | | -- |
| 0072 | | LAFN06792 | | BOARD COMANDI | 1,00 | | | -- |
| 0073 | | VTVT01110 | | SCREW TE 8X16 UNI5739 | 5,00 | | | -- |
| 0074 | | VTRS01080 | | WASHER D. 8 GRW | 1,00 | | | -- |
| 0075 | | VTRS87283 | | WASHER D.8X24X2,5 ZB UNI 6593 | 1,00 | | | -- |
| 0076 | | LAFN47039 | | FLANGE L.14 | 1,00 | | | -- |
| 0077 | | MECI76658 | | COMMUTAT.SWITCH2 P. TK | 1,00 | | | -- |
| 0078 | | MPVR47040 | | KNOB L.14 | 1,00 | | | -- |



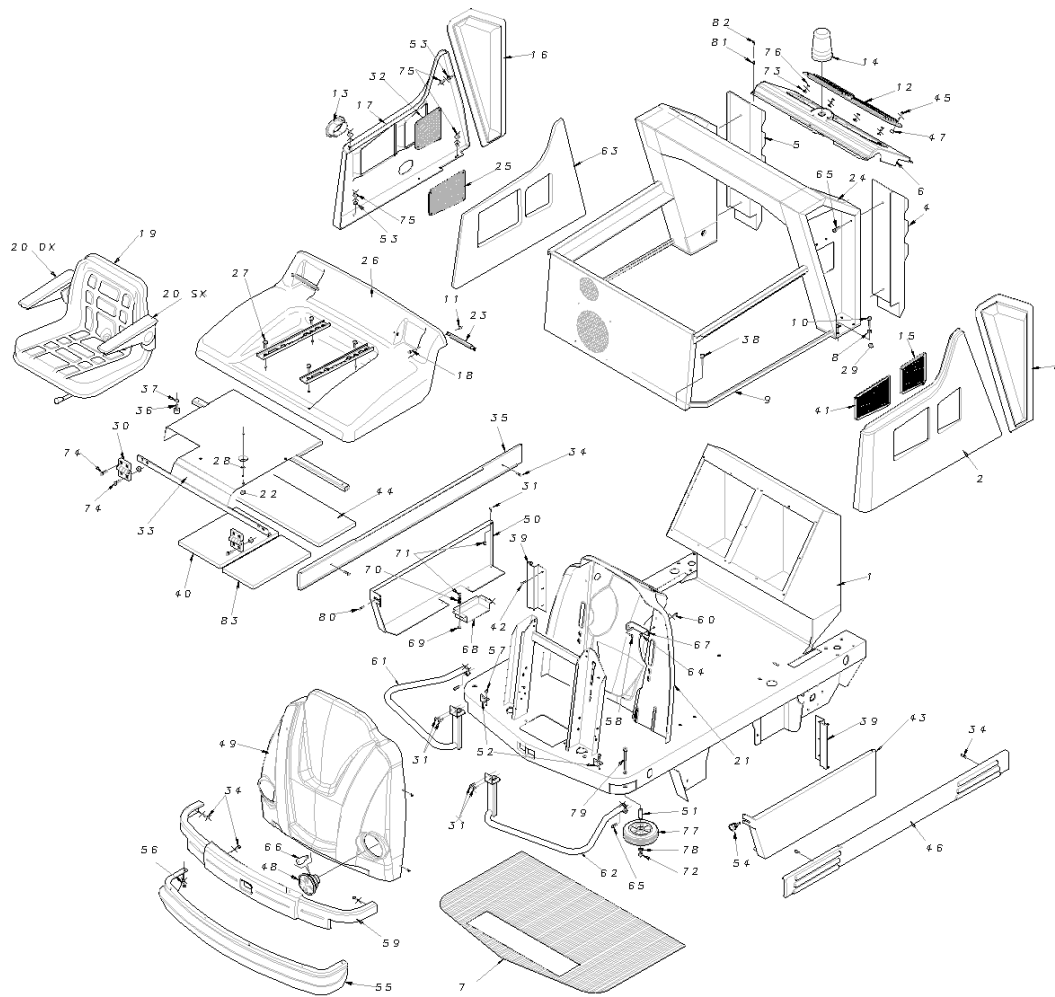
| Ref. | K | Part N. | Customer Part N. | Description | Qty | Validity: | | Price |
|------|---|-----------|------------------|----------------------------|------|-----------|----|-------|
| | | | | | | From | To | |
| 0079 | | MPVR04902 | | COVER SCHEDA MICRO | 1,00 | | | -- |
| 0080 | | KTRI01935 | | KIT 1050-1202 | 1,00 | | | -- |
| 0081 | | CMCV85320 | | CABLE D.2,5 L.760 21251003 | 1,00 | | | -- |
| 0082 | | MEVR02000 | | CONTACT - | 1,00 | | | -- |
| 0083 | | KTRI01935 | | KIT 1050-1202 | 1,00 | | | -- |
| 0084 | | MECE00426 | | BOARD PULSANTIERA | 1,00 | | | -- |
| 0085 | | MEVR02012 | | CONTACT - | 1,00 | | | -- |
| 0086 | | MECI75945 | | COMMUTAT.SWITCH3 POS. TK | 1,00 | | | -- |



| Ref. | K | Part N. | Customer Part N. | Description | Qty | Validity: | | Price |
|------|---|-----------|------------------|---------------------------------|------|-----------|----|-------|
| | | | | | | From | To | |
| 0001 | | LAFN45969 | | BODY LION 14000 | 1,00 | | | -- |
| 0002 | | MPVR04992 | | BODY SIDE SX | 1,00 | | | -- |
| 0003 | | MPVR00234 | | UPRIGHT SPALLA SX | 1,00 | | | -- |
| 0004 | | MPVR00229 | | BUMPER POSTERIORE SX TK1400 | 1,00 | | | -- |
| 0005 | | MPVR00227 | | BUMPER POSTERIORE DX TK1400 | 1,00 | | | -- |
| 0006 | | MPVR04988 | | COVER SUCTION MOTORS | 1,00 | | | -- |
| 0007 | | MPVR05057 | | PLANE MILLERIGHE CON BIADESIVO | 1,00 | | | -- |
| 0008 | | VTRS00505 | | WASHER D.10 TE UNI 6592 | 8,00 | | | -- |
| 0009 | | LAFN45976 | | SUPPORT L.14 | 1,00 | | | -- |
| 0010 | | VTVT01535 | | SCREW TCEI M10X 40 UNI 5931 ZB | 8,00 | | | -- |
| 0011 | | VTDD00491 | | NUT M 6 TEF | 6,00 | | | -- |
| 0012 | | MPVR04916 | | BRACKET COPERCHIO ASPIRATORI | 1,00 | | | -- |
| 0013 | | MPVR04698 | | FRAME FORO | 1,00 | | | -- |
| 0014 | | MEVR00935 | | FLASHING LIGHT G1050 | 1,00 | | | -- |
| 0015 | | LAFN06590 | | BRACKET FIANCATA | 1,00 | | | -- |
| 0016 | | MPVR00235 | | UPRIGHT SPALLA DX | 1,00 | | | -- |
| 0017 | | MPVR04993 | | BODY SIDE DX | 1,00 | | | -- |
| 0018 | | VTVT75726 | | SCREW TBEI M 6X 16 ISO 7380 ZB | 4,00 | | | -- |
| 0019 | | SESD45981 | | SEAT SC 73 L.14 | 1,00 | | | -- |
| 0020 | | SESD00001 | | KIT BRACCIOLO DX | 1,00 | | | -- |
| 0020 | | SESD00002 | | KIT BRACCIOLO SX | 1,00 | | | -- |
| 0021 | | MPVR04891 | | HOOD POSTERIORE G1404 | 1,00 | | | -- |
| 0022 | | VTDD00124 | | NUT M 8 BASSO | 4,00 | | | -- |
| 0023 | | KTRI01632 | | HANDLE COFANO PORTASEDILE | 2,00 | | | -- |
| 0024 | | ETET00100 | | LABEL ADESIVA BENZINA VERDE | 1,00 | | | -- |
| 0025 | | LAFN06587 | | BRACKET FIANCATA | 1,00 | | | -- |
| 0026 | | MPVR04991 | | HOOD SUPERIORE 1400 VERDE | 1,00 | | | -- |
| 0027 | | VTVT00447 | | SCREW TE 8X25 UNI5739 | 4,00 | | | -- |
| 0028 | | VTRS00512 | | WASHER D. 8 X24 ZC. | 8,00 | | | -- |
| 0029 | | VTDD00042 | | NUT AUT.M10 UNI7474 | 8,00 | | | -- |
| 0030 | | CEVR85332 | | HINGE MEB F D.6 TK | 2,00 | | | -- |
| 0031 | | VTVT62920 | | SCREW TE F/ROND. M 6X 16 ZB | 6,00 | | | -- |
| 0032 | | LAFN06588 | | BRACKET FIANCATA | 1,00 | | | -- |
| 0033 | | LAFN01018 | | FRAME PORTASED.TK1400 DIESEL ZN | 1,00 | | | -- |
| 0034 | | VTVT01118 | | SCREW TCEI M 8X16 ZC. UNI 5931 | 4,00 | | | -- |
| 0035 | | MPVR00225 | | BUMPER LATERALE DX TK1400 | 1,00 | | | -- |
| 0036 | | ABGO00008 | | VIBRATION DAMP.PM 20X20 M6X20 | 2,00 | | | -- |
| 0037 | | VTDD00482 | | NUT M 6 ZIN UNI 5588 | 2,00 | | | -- |
| 0038 | | VTVT62920 | | SCREW TE F/ROND. M 6X 16 ZB | 4,00 | | | -- |



| Ref. | K | Part N. | Customer Part N. | Description | Qty | Validity: | | Price |
|------|---|-----------|------------------|----------------------------------|------|-----------|---------|-------|
| | | | | | | From | To | |
| 0039 | | CEVR45986 | | HINGE L.14 | 2,00 | | | -- |
| 0040 | | ITSO00006 | | PANEL FONOASS.SOTTOSED.DIESEL | 1,00 | | | -- |
| 0041 | | LAFN06589 | | BRACKET FIANCATA | 1,00 | | | -- |
| 0042 | | VTVT75719 | | SCREW TE F/ROND. M 6 X 10 | 6,00 | | | -- |
| 0043 | | LAFN00724 | | PLANE LATERALE SX | 1,00 | | | -- |
| 0044 | | ITSO00043 | | PANEL ISOLATORE PORTASEDILE | 1,00 | | | -- |
| 0045 | | VTVT72043 | | SCREW M 4 X16 TC UNI7687 | 4,00 | | | -- |
| 0046 | | MPVR00226 | | BUMPER LATERALE SX 1400 | 1,00 | | | -- |
| 0047 | | VTVR00015 | | INSERT FILETTATO M4X10 ZIGRINATO | 4,00 | | | -- |
| 0048 | | MELF00052 | | LANTERN - | 2,00 | 06/2011 | | -- |
| 0048 | | MEVR00135 | | LANTERN G1400 | 2,00 | | 06/2011 | -- |
| 0049 | | MPVR08031 | | HOOD ANTERIORE G1404 | 1,00 | | | -- |
| 0050 | | LAFN00723 | | PLANE LATERALE DX | 1,00 | | | -- |
| 0051 | | LAFN47011 | | BUSHING L.14 | 2,00 | | | -- |
| 0052 | | LAFN06793 | | BRACKET FISSA FRONTALE | 2,00 | | | -- |
| 0053 | | VTRS04026 | | WASHER D. 6X18X2.38 | 8,00 | | | -- |
| 0054 | | RTRT00022 | | HANDWHEEL D.30 M6X15 | 1,00 | | | -- |
| 0055 | | MPVR00240 | | CRANKCASE SPOILER ANTERIORE | 1,00 | | | -- |
| 0056 | | VTVT00100 | | SCREW AUTOF.TC UNI 6954 3,9X16 | 6,00 | | | -- |
| 0057 | | VTVT09916 | | SCREW TBEI M 6X 20 ISO 7380 ZB | 2,00 | | | -- |
| 0058 | | VTVT62920 | | SCREW TE F/ROND. M 6X 16 ZB | 2,00 | | | -- |
| 0059 | | MPVR87170 | | BUMPER GRIGIO CPL 21201056 | 1,00 | | | -- |
| 0060 | | VTVT75726 | | SCREW TBEI M 6X 16 ISO 7380 ZB | 2,00 | | | -- |
| 0061 | | LAFN01102 | | BUMPER ANTERIORE DX | 1,00 | | | -- |
| 0062 | | LAFN01103 | | BUMPER ANTERIORE SX | 1,00 | | | -- |
| 0063 | | ITTE00005 | | PANEL FONOASS.FIAN.LAT.DX DIES. | 1,00 | | | -- |
| 0064 | | VTDD00491 | | NUT M 6 TEF | 2,00 | | | -- |
| 0065 | | VTVT63129 | | SCREW TE F/ROND. M 8X16 ZB | 6,00 | | | -- |
| 0066 | | MELF00050 | | LAMP - | 2,00 | 06/2011 | | -- |
| 0066 | | MELF87169 | | LAMP 12V 35W | 2,00 | | 06/2011 | -- |
| 0067 | | LAFN06794 | | BRACKET FISSA FRONTALE G1404 | 2,00 | | | -- |
| 0068 | | LAFN46645 | | PROTECTION L.14 DX | 1,00 | | | -- |
| 0069 | | VTVT63029 | | SCREW TCEI M 6X 35 UNI 5931 ZB | 2,00 | | | -- |
| 0070 | | MLML46644 | | SPRING D. 6 | 1,00 | | | -- |
| 0071 | | VTDD00491 | | NUT M 6 TEF | 3,00 | | | -- |
| 0072 | | VTDD00042 | | NUT AUT.M10 UNI7474 | 2,00 | | | -- |
| 0073 | | VTVR47015 | | INSERT PLS. D.3 | 4,00 | | | -- |
| 0074 | | VTVT12255 | | SCREW TCEI 6X25 UNI5931 | 4,00 | | | -- |
| 0075 | | VTVT06237 | | SCREW TCEI 6X20 UNI5931 | 8,00 | | | -- |



| Ref. | K | Part N. | Customer Part N. | Description | Qty | Validity: | | Price |
|------|---|-----------|------------------|---------------------------------|------|-----------|----|-------|
| | | | | | | From | To | |
| 0076 | | VTVT00044 | | SCREW TC AF.X PLAS UNI9707 4X16 | 4,00 | | | -- |
| 0077 | | RTRT31046 | | WHEEL D.150 E 350 | 2,00 | | | -- |
| 0078 | | VTRS00505 | | WASHER D.10 TE UNI 6592 | 2,00 | | | -- |
| 0079 | | VTVT04857 | | SCREW TCEI M 10X70 UNI 5931 | 2,00 | | | -- |
| 0080 | | VTVT62920 | | SCREW TE F/ROND. M 6X 16 ZB | 1,00 | | | -- |
| 0081 | | VTVR00309 | | INSERT FILETTATO M5 | 4,00 | | | -- |
| 0082 | | VTVT45339 | | SCREW TBEI M 5X 16 ISO 7380 ZB | 4,00 | | | -- |
| 0083 | | ITTE00027 | | INSULATOR | 1,00 | 12/2007 | | -- |