

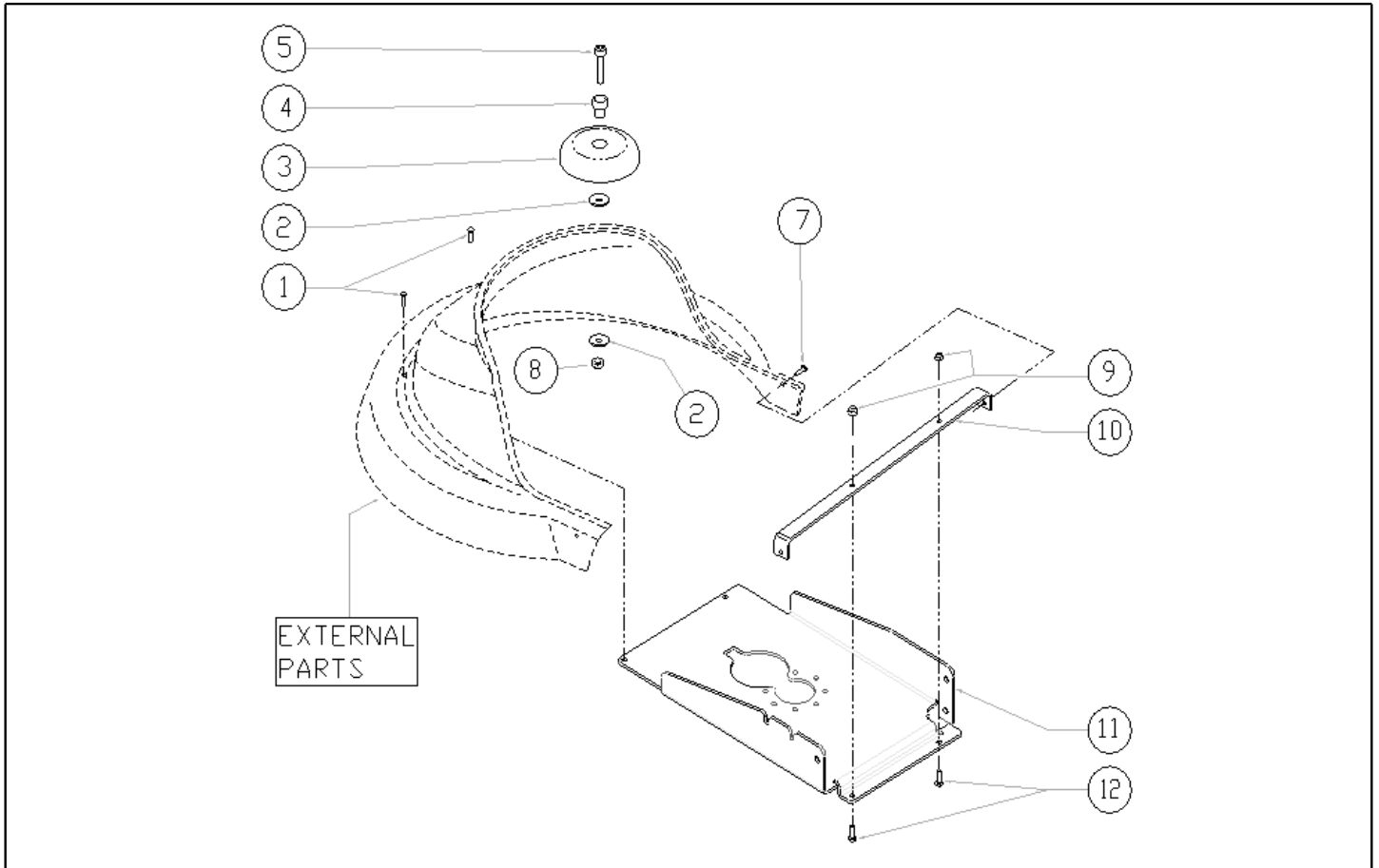


IPC

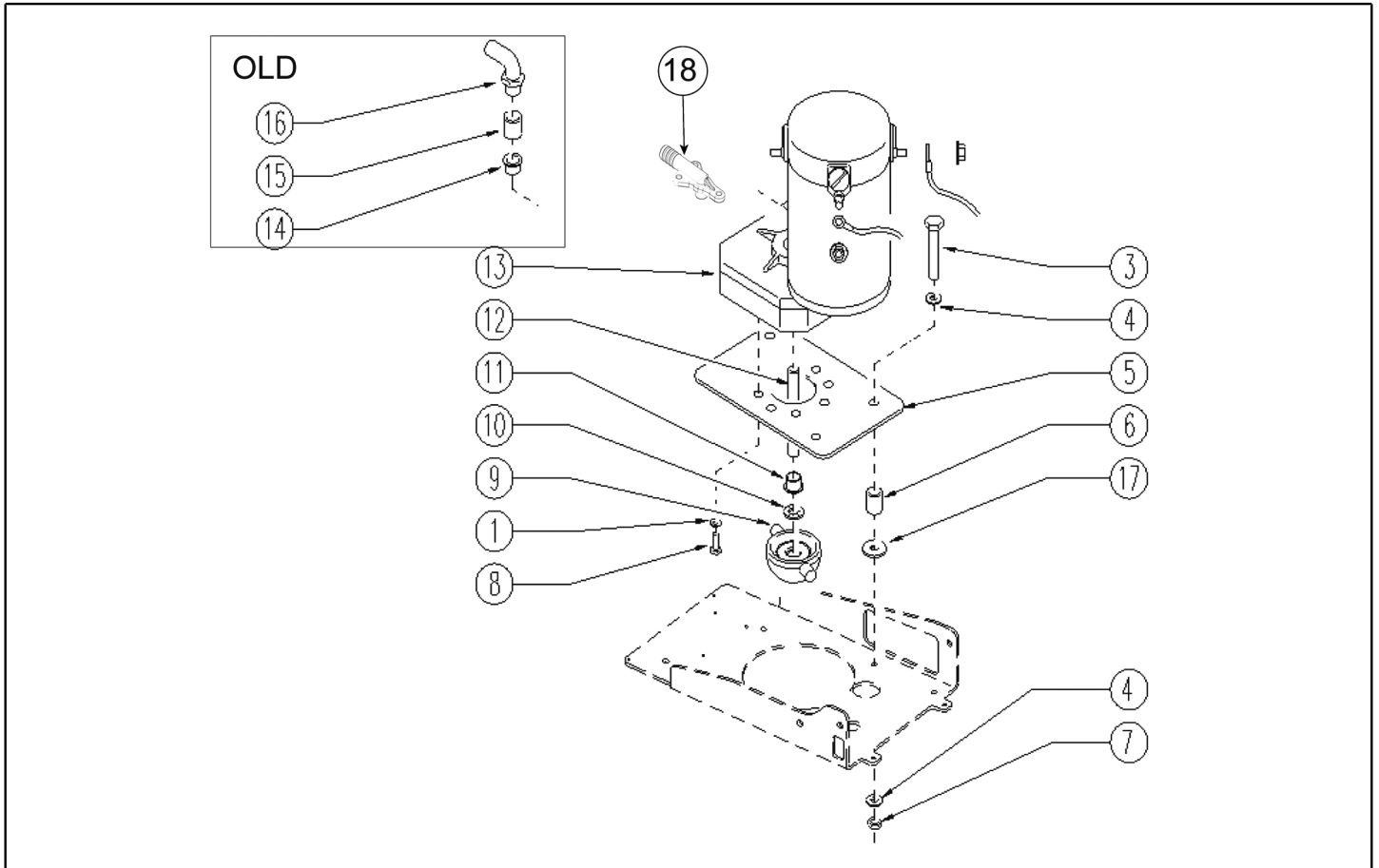
Spare parts list

Ref: LPTB02530

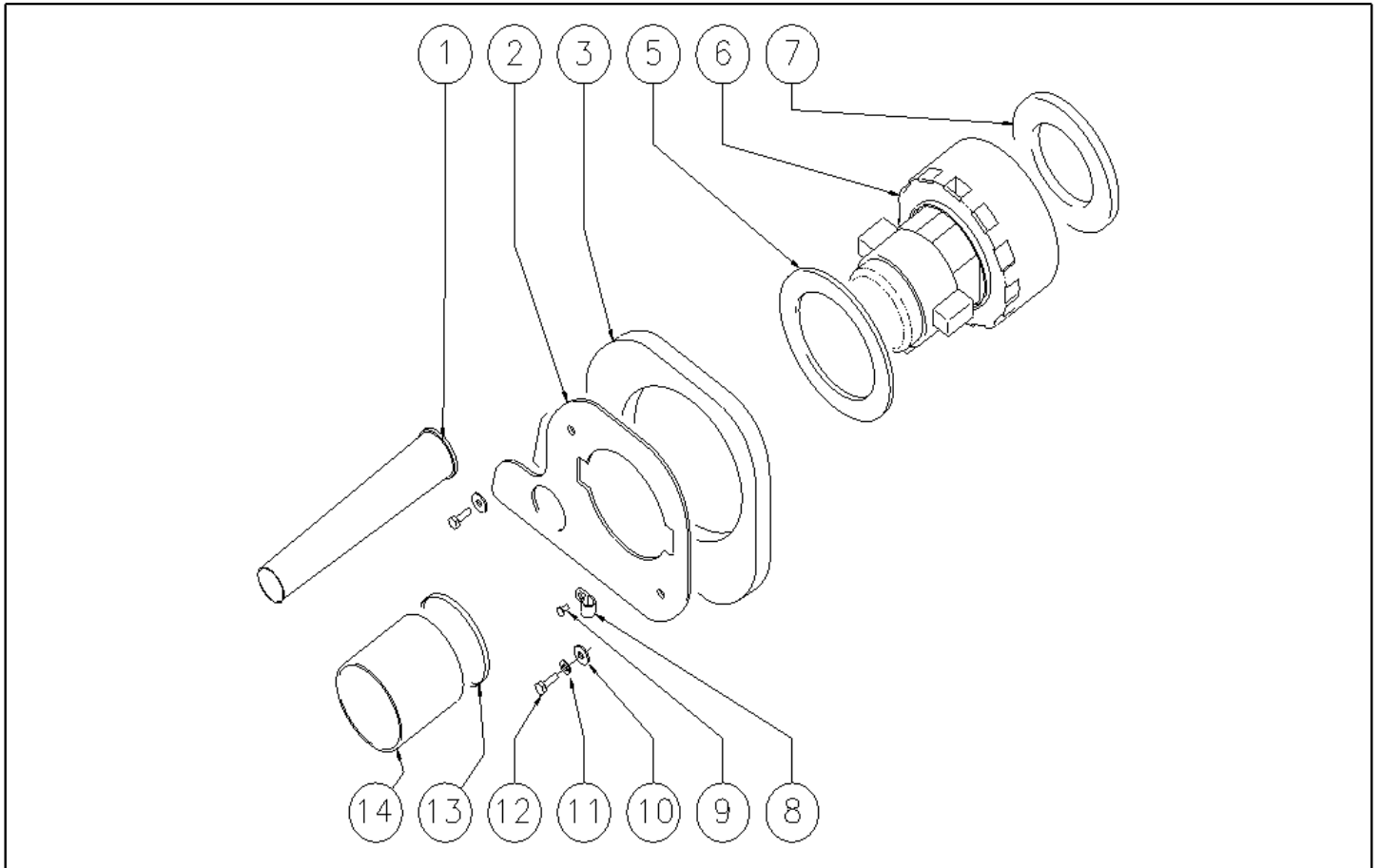
Model: FLOOR WASHER CT70 BT50+CB GR/VE USA



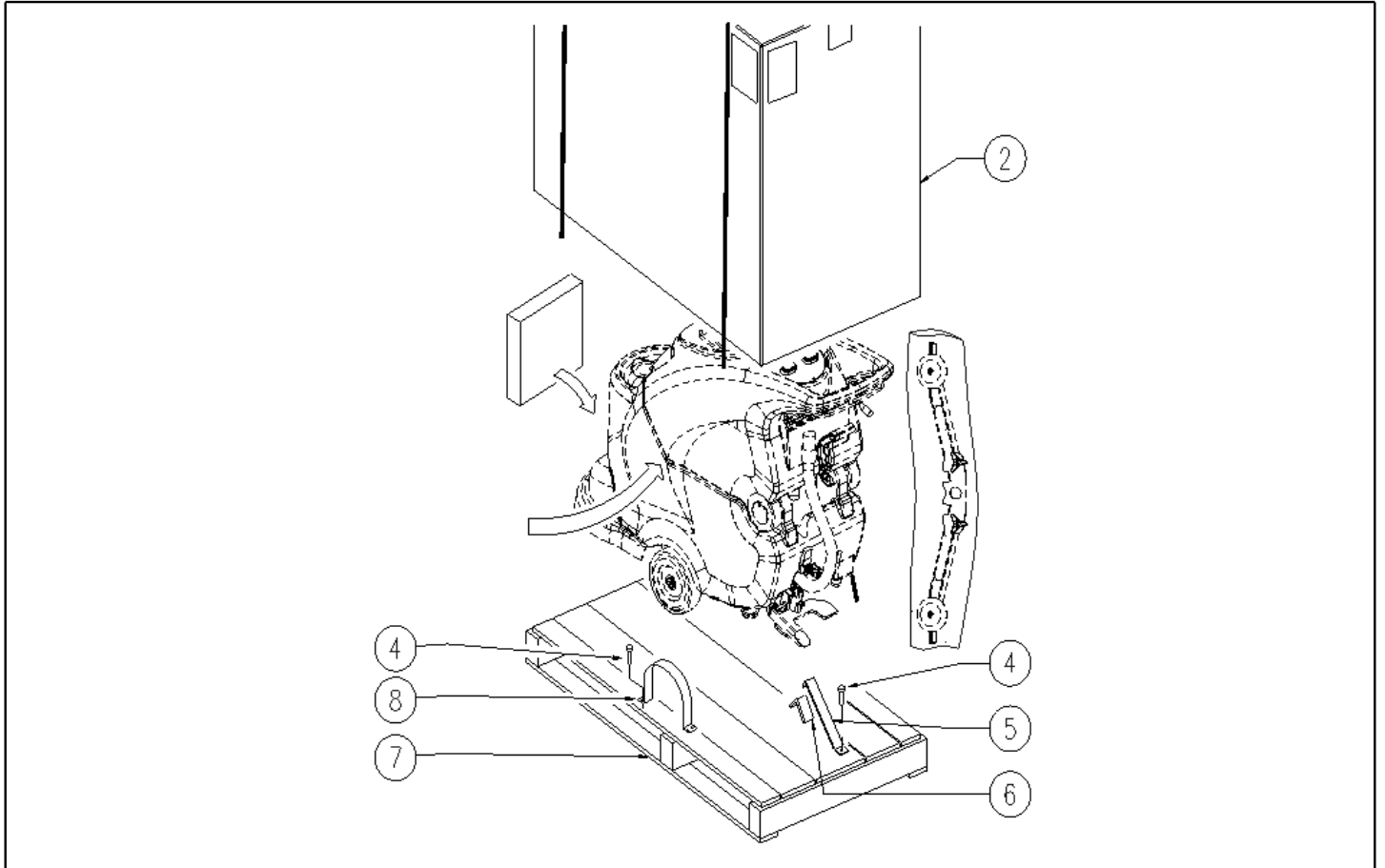
Ref. K	Part n.	Customer part n.	Description	Quantity	Validity		Price
					From	To	
0001	VTVT00659	SL04065	SCREW TC+ M. 4-15	2,00		14/02/2010	--
0001	VTVT01366		SCREW M4X16	2,00	15/02/2010	07/04/2016	--
0001	VTVT01004		SCREW TC+ M4 X 10 TRILOBATA	2,00	08/04/2016		--
0002	VTRS13946	SL06025	WASHER D. 8 X24 INX UNI 6593	2,00			--
0003	MPVR05290		ROLLER PARACOLPI	1,00			--
0004	LAFN03915	SL07390	BUSHING NUOVO RUOTINO STRONG	1,00			--
0005	VTVT17349		SCREW TCEI M 8X30	1,00		16/06/2009	--
0005	VTVT00822	SL04329	SCREW TCEI M 8-30	1,00	17/06/2009		--
0007	VTVT01366		SCREW M4X16	2,00			--
0008	VTDD01695	SL05039	NUT M 8 INX	1,00			--
0009	VTDD15518	75375	NUT M 6 INX	2,00			--
0010	LAFN05899	SL39370	SUPPORT BRACKET CARTER 1 EXTREME	1,00			--
0011	LAFN07373		PLATE RIDUTTORE	1,00			--
0012	VTVT15143	SL04135	SCREW TE 6X16 UNI5739	2,00			--



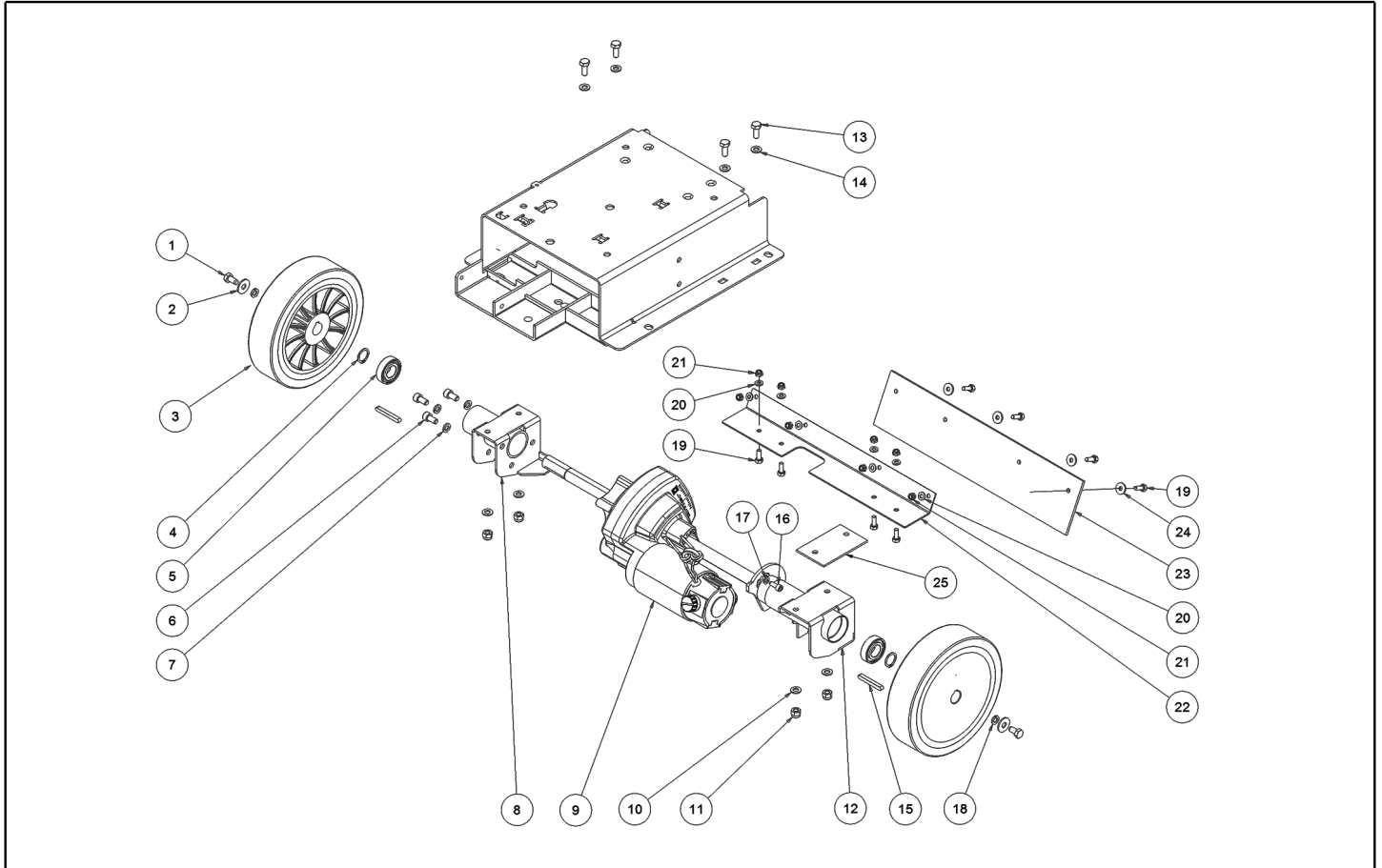
Ref. K	Part n.	Customer part n.	Description	Quantity	Validity		Price
					From	To	
0001	VTRS15144	11051232	WASHER D. 6 INX GRW UNI 1751	8,00			--
0003	VTVT13937	11051230	SCREW TE M 8X 30 INX UNI 5739	4,00		01/03/2008	--
0004	VTRS13947	75373	WASHER D. 8 INX UNI 6592	4,00		01/03/2008	--
0005	LAFN05920	SL39392	FLANGE RIDUTTORE	1,00		01/03/2008	--
0006	RCDS34717	SL07063	BUSHING D. 9X12X 8.3	4,00		01/03/2008	--
0007	VTDD01695	SL05039	NUT M 8 INX	4,00		01/03/2008	--
0008	VTVT15906	SL04180	SCREW TE 6X 12 A2 UNI 5739	8,00			--
0009	MFVR00134	SL01043	DRIVE DISK SPAZZOLE	1,00			--
0010	MPVR02997	SL14359	CLIP ANELLO X PERNO D10	1,00		18/05/2009	--
0010	VTVR00416		HANDWHEEL M 6MAX110 D.35	1,00	19/05/2009		--
0011	CUVR43254	SL12039	BUSHING CB 85 1010 18T	1,00		24/07/2013	--
0012	LAFN04202	SL07689	TUBE SOLUZIONE INOX D10	1,00		24/07/2013	--
0013	MOCC00298		MOTOR.GEARBOX MRP6	1,00		11/02/2008	--
0013	MOCC00327		Gear Motor	1,00	12/02/2008	24/07/2013	--
0013	MOCC00344		BRUSH -	4,00			--
0013	MOCC00405		MOTOR	1,00	25/07/2013		--
0014	CUVR43254	SL12039	BUSHING CB 85 1010 18T	1,00		24/07/2013	--
0015	LAFN51028	SL07693	BUSHING	1,00		24/07/2013	--
0016	RCVR45752	SL18232	HOSE FITTING "L" 3/8M - D.10 PLS.	1,00		24/07/2013	--
0017	VTRS00241	SL06017	WASHER D. 8-24	4,00		01/03/2008	--
0018	RCDS00046		CONNECTOR -	1,00	25/07/2013		--



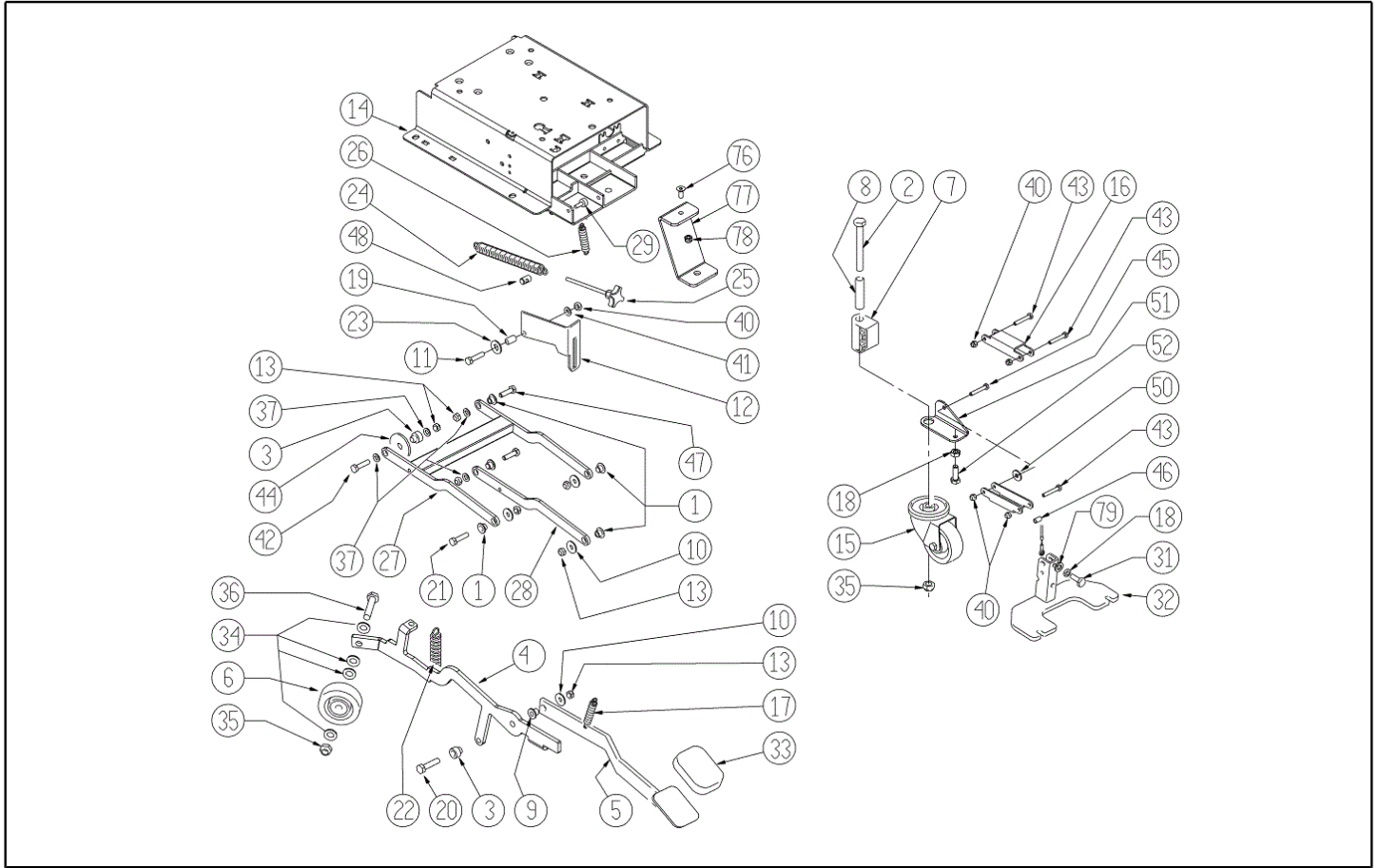
Ref. K	Part n.	Customer part n.	Description	Quantity	Validity		Price
					From	To	
0001	TBFX00244	SL19198	TUBE D 34 L200MM	1,00		14/06/2007	--
0001	MPVR05259		TUBE SCARICO	1,00	15/06/2007		--
0002	LAFN06363		FLANGE ASPIRATORE	1,00			--
0003	MPVR05103		SOUND-PROOFING ASPIRATORE	1,00			--
0005	MPVR04724		FLANGE IN NYLON	1,00			--
0006	MOCC00253	SL02455	MOTOR ASPIR.BIST.24V	1,00		04/11/2008	--
0006	MOCC00349		MOTOR VACUUM 2 STAGES 24V	1,00	05/11/2008		--
0006	MEVR05200		CARBON MOTORE ASP.AMET.116599-13	2,00			--
0007	GUGO00272	SL03648	GASKET VACUUM MOTOR CT	1,00			--
0008	FsvR00099	SL14150	CLAMP FERMATUBO	1,00			--
0009	VTVT00813	SL04319	SCREW M 4X 8 TCB-TC UNI 8112	1,00			--
0010	VTRS13945	SL06039	WASHER D. 6X18 INX UNI 6593	2,00			--
0011	VTRS15144	11051232	WASHER D. 6 INX GRW UNI 1751	2,00			--
0012	VTVT15143	SL04135	SCREW TE 6X16 UNI5739	2,00			--
0013	FsvR00500		CLAMP 80-100 INOX	1,00		30/04/2007	--
0013	FsvR00118		CLAMP D.94	1,00	01/05/2007		--
0014	TBFX00268	SL19408	SUCTION HOSE D80 L=80MM	1,00		30/04/2007	--
0014	TBFX00312		TUBE ASPIRAZIONE	1,00	01/05/2007		--



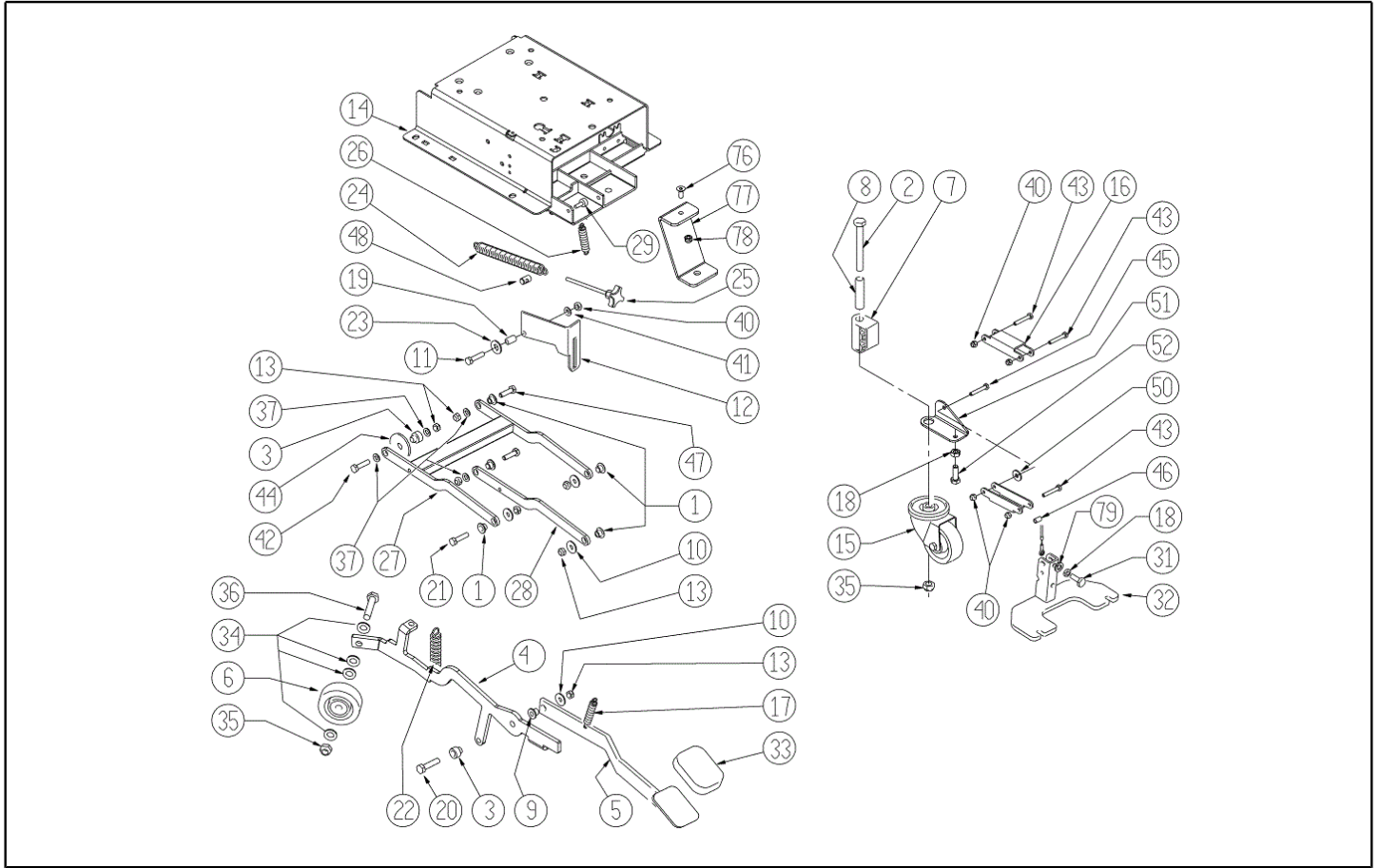
Ref. K	Part n.	Customer part n.	Description	Quantity	Validity		Price
					From	To	
0002	MICT00196		BOX	1,00			--
0004	VTVT00043	1105360	SCREW AUTOF.LEGNO 4,5X25 TS BR	9,00			--
0005	MIVR00137		CLAMP RUOTA POSTERIORE X IMBAL.	1,00			--
0006	GUGO00009	1320066	MOUSSE	0,05			--
0007	MIBA00054	69101007	PALLET Scrubber 40/62B/BF/A	1,00			--
0008	MIVR00135		CLAMP RUOTA POSTERIORE X IMBAL.	2,00			--



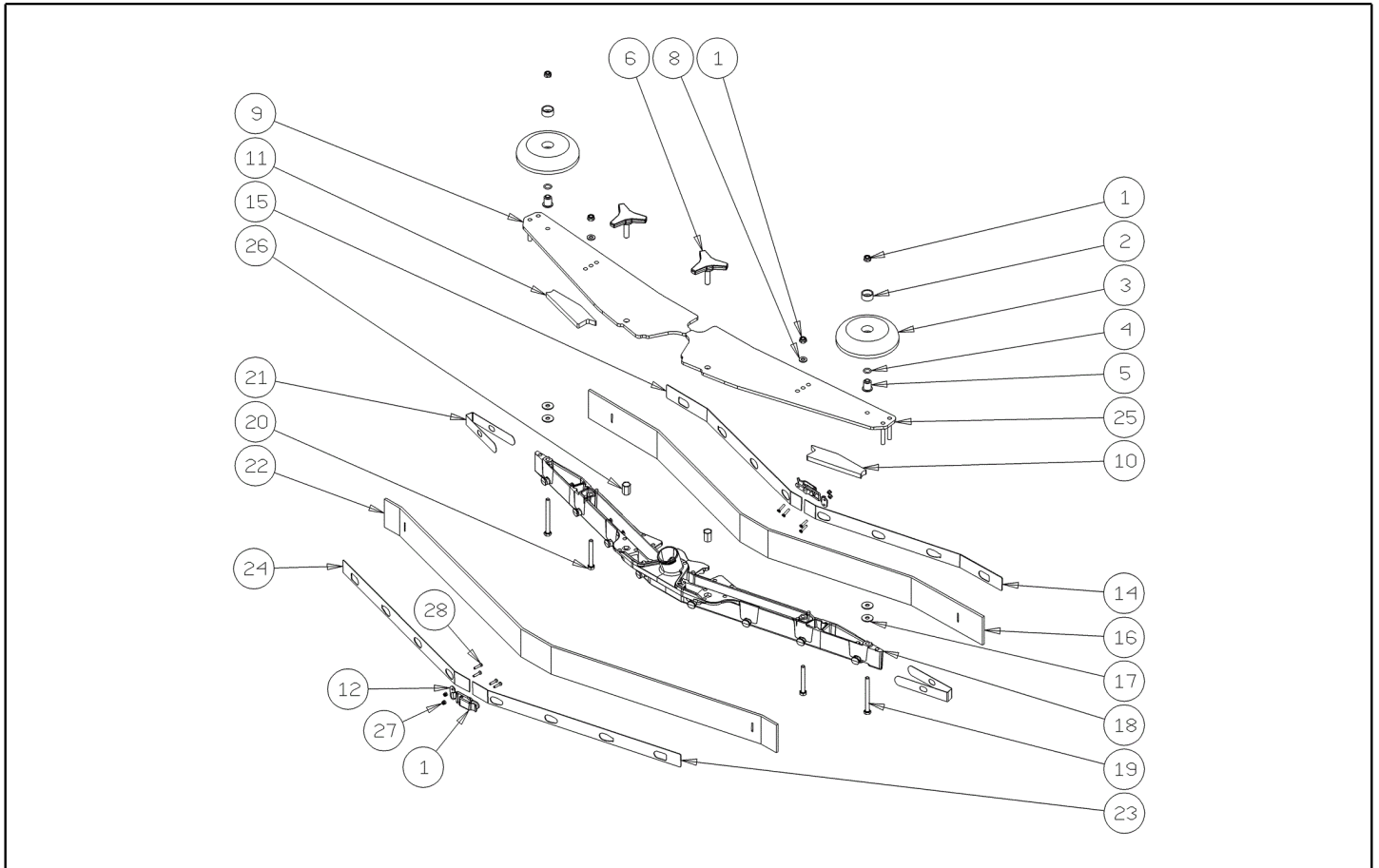
Ref. K	Part n.	Customer part n.	Description	Quantity	Validity		Price
					From	To	
0001	VTVT15916	SL04203	SCREW TE M 8X 16 UNI 5739 A2	2,00			--
0002	VTRS13946	SL06025	WASHER D. 8 X24 INX UNI 6593	2,00			--
0003	RTRT00524		WHEEL -	2,00		17/05/2010	--
0003	RTRT00529		WHEEL D200	2,00	18/05/2010	17/06/2012	--
0003	RTRT00546		WHEEL D.200	2,00	18/06/2012		--
0004	VTAE06193	RP06193	CIRCLIP D. 20 UNI 7435	2,00			--
0005	CUVR19846	70039	BALL BEARING 6004 2RS1	2,00		21/09/2011	--
0005	CUVR00083	SL12001	BEARING 6004 2RS H SKF	2,00	22/09/2011	07/04/2013	--
0005	CUVR00190		BEARING 6004	2,00	08/04/2013		--
0006	VTVT00876	SL04397	SCREW TCEI M.8-16	3,00			--
0007	VTRS15146	05519	WASHER D. 8 INX GRW UNI 1751	3,00			--
0008	LAFN07811		SUPPORT -	1,00			--
0009	MOCC00373		MOTOR -	1,00		13/10/2010	--
0009	MOCC00022	1380116	CARBON X MOT.COD.MOCC86902	2,00			--
0009	MOCC00395		MOTOR TRACTION 24V 200W 150G	1,00	14/10/2010		--
0010	VTRS13947	75373	WASHER D. 8 INX UNI 6592	4,00			--
0011	VTDD01695	SL05039	NUT M 8 INX	4,00			--
0012	LAFN07813		SUPPORT -	1,00			--
0013	VTVT15916	SL04203	SCREW TE M 8X 16 UNI 5739 A2	4,00			--
0014	VTRS13947	75373	WASHER D. 8 INX UNI 6592	4,00			--
0015	VTVR33668	SL11105	KEY 6x 6x40 UNI 6604A	2,00		17/06/2012	--
0015	VTVR00566		KEY 6X10X40	2,00	18/06/2012		--
0016	VTVT00717	SL04172	SCREW TCEI M. 6-16	2,00			--
0017	VTRS15144	11051232	WASHER D. 6 INX GRW UNI 1751	2,00			--
0018	VTRS15144	11051232	WASHER D. 6 INX GRW UNI 1751	2,00			--
0019	VTVT15143	SL04135	SCREW TE 6X16 UNI5739	8,00	23/07/2012		--
0020	VTRS00245	SL06022	WASHER D.6 UNI 6592 INOX	8,00	23/07/2012		--
0021	VTDD01694	SL05074	NUT M6 INOX	8,00	23/07/2012		--
0022	LAFN07951		BRACKET CT40-90	1,00	23/07/2012		--
0023	MPVR06230		FLAP CT40 CT70-90	1,00	23/07/2012	17/03/2014	--
0023	MPVR06966		FLAP -	1,00	18/03/2014		--
0024	VTRS13945	SL06039	WASHER D. 6X18 INX UNI 6593	4,00	23/07/2012		--
0025	MPVR10764		PROTECTION .	1,00	13/06/2016		--



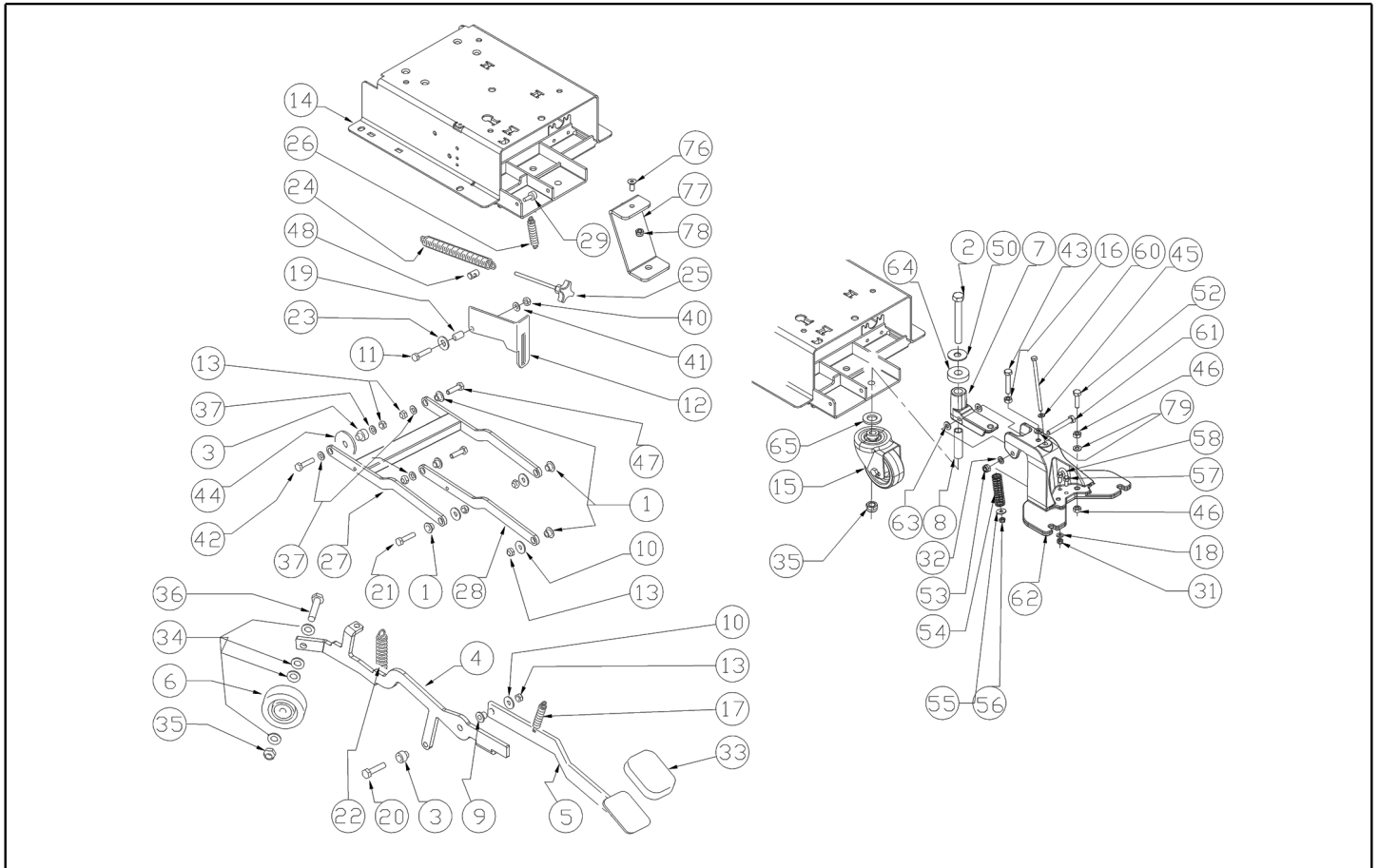
Ref. K	Part n.	Customer part n.	Description	Quantity	Validity		Price
					From	To	
0001	LAFN06391		BUSHING PARALLELOGRAMMA	5,00			--
0002	VTVT24212		SCREW TE M 12X100 UNI 5737 INOX	1,00			--
0003	LAFN04190	SL07682	BUSHING PARALLELOGR.TEST.GR.	2,00			--
0004	LAFN07872		LEVER -	1,00			--
0005	LAFN07602		LEVER -	1,00		30/06/2013	--
0005	LAFN09270		PEDALE -	1,00	01/07/2013		--
0006	RTRT49171	SL08046	CASTER D. 80-12	1,00			--
0007	MPVR04734		BLOCK TERGI	1,00			--
0008	LAFN09006		PIN -	1,00			--
0009	LAFN51068		Bushing	1,00			--
0010	VTRS13946	SL06025	WASHER D. 8 X24 INX UNI 6593	4,00			--
0011	VTVT00161	05244	SCREW TE M6X20	1,00			--
0012	LAFN10124		PLATE	1,00			--
0013	VTDD01695	SL05039	NUT M 8 INX	7,00			--
0014	LAFN07293		BASE SERBATOIO	1,00			--
0015	RTRT00518		WHEEL CASTOR D.80X30	1,00		01/08/2012	--
0015	RTRT00395		WHEEL CASTOR D.80X25 PU	1,00	02/08/2012		--
0016	LAFN05853	SL39324	LEVER ARM SOLLEVAMENTO TERGI	2,00			--
0017	MLML34726	SL13013	SPRING TR E350 N	1,00			--
0018	VTDD15521	05518	NUT M 8 INX A2 UNI 5588	1,00			--
0019	LAFN03840	SL07318	BUSHING	1,00			--
0020	VTVT15917	SL04143	SCREW TE M 8X50 INOX A2 UNI	1,00			--
0021	VTVT15907	SL04145	SCREW TE 8X25 UNI5739 INX	3,00			--
0022	MLML00313		SPRING -	1,00			--
0023	VTRS00274	SL06064	WASHER NYLON 66 D.8,4-17-2 UNI	1,00			--
0024	MLML31130	SL13037	SPRING D. 17.5 X110 N38	1,00			--
0025	VTVR35749	SL20047	HANDWHEEL M 6MAX110 D.35	1,00			--
0026	MLML00303		SPRING REGISTRAZIONE FLAP	1,00			--
0027	LAFN06388		ARM TESTATA SUPERIORE	1,00			--
0028	LAFN06389		ARM PARALLELOGRAMMA	1,00			--
0029	VTVR35749	SL20047	HANDWHEEL M 6MAX110 D.35	1,00			--
0031	VTVT00410	SL04127	SCREW TE M8x35 UNI5739 INOX	1,00			--
0032	LAFN07560		PLATE -	1,00			--
0033	MPVR05186		COVER -	1,00			--
0034	VTRS15978		WASHER D.12X24 UNI 6592 INX	4,00			--
0035	VTDD00176	SL05092	NUT M.12 INOX A2 BASSO AUTOB.	2,00			--
0036	VTVT00836	SL04343	SCREW TE M12-60 INOX	1,00			--
0037	VTRS13947	75373	WASHER D. 8 INX UNI 6592	4,00			--
0040	VTDD01694	SL05074	NUT M6 INOX	5,00			--
0041	VTRS00245	SL06022	WASHER D.6 UNI 6592 INOX	1,00			--
0042	VTVT00410	SL04127	SCREW TE M8x35 UNI5739 INOX	1,00			--
0043	VTVT01683		SCREW TE 6X40	4,00			--
0044	MPVR05134		GASKET D.60 FORO D.12 SP.2	1,00			--
0045	VTVT01684		SCREW TE 6X45	1,00			--



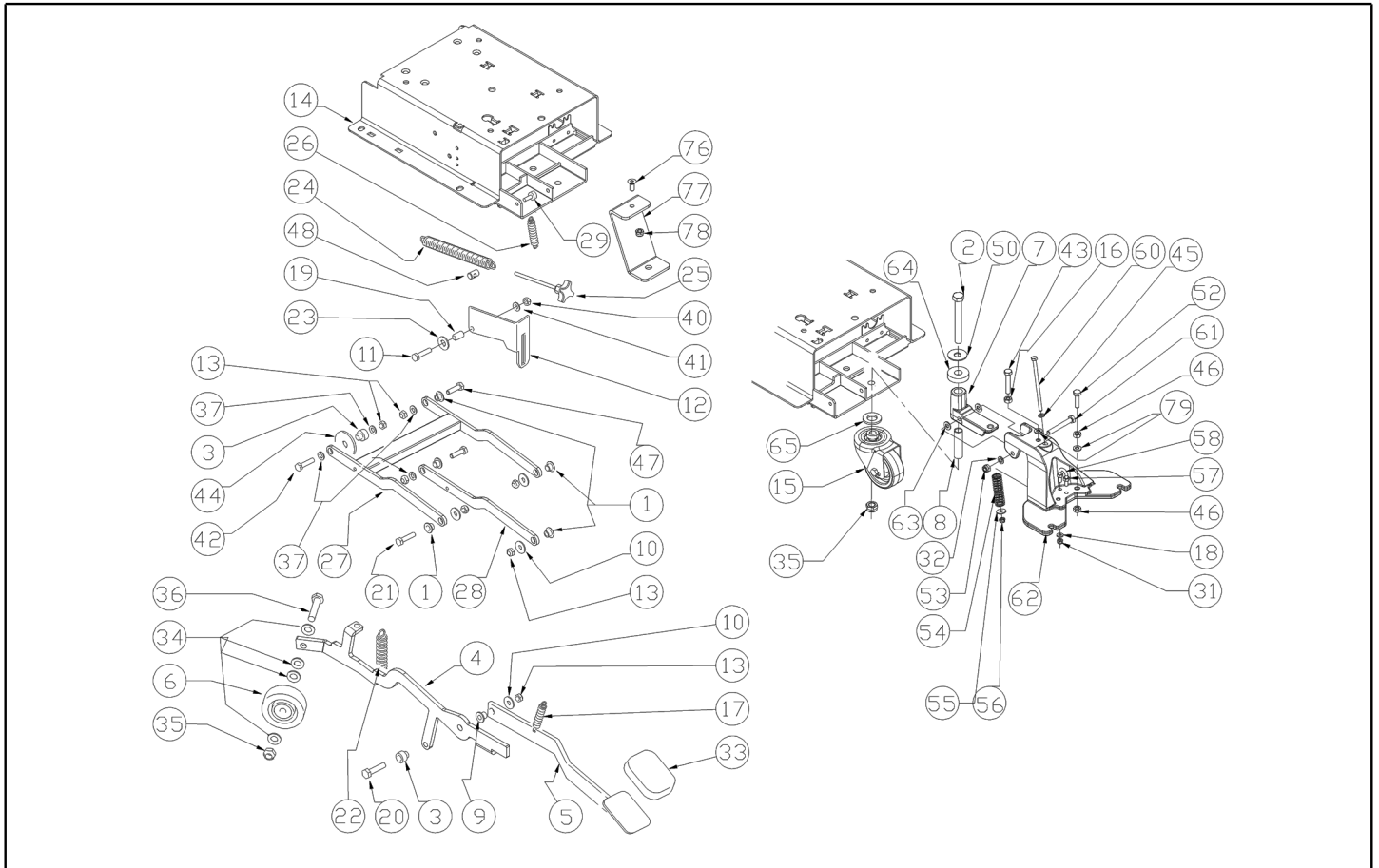
Ref. K	Part n.	Customer part n.	Description	Quantity	Validity		Price
					From	To	
0046	LAFN06898		SPACER 6-8 h15	1,00			--
0047	VTVT13937	11051230	SCREW TE M 8X 30 INX UNI 5739	2,00			--
0048	LAFN35747	SL07199	SPRING SUPPORT LAV. E/B 450	1,00			--
0050	VTRS13945	SL06039	WASHER D. 6X18 INX UNI 6593	1,00			--
0051	LAFN08999		BRACKET -	1,00			--
0052	VTVT13938	75362	SCREW TE 8X20 UNI5739 INX	1,00			--
0076	VTVT00224	SL04294	SCREW	1,00			--
0077	LAFN06860		BRACKET CT70	1,00			--
0078	VTDD01695	SL05039	NUT M 8 INX	1,00			--
0079	VTRS15146	05519	WASHER D. 8 INX GRW UNI 1751	1,00	25/03/2013		--



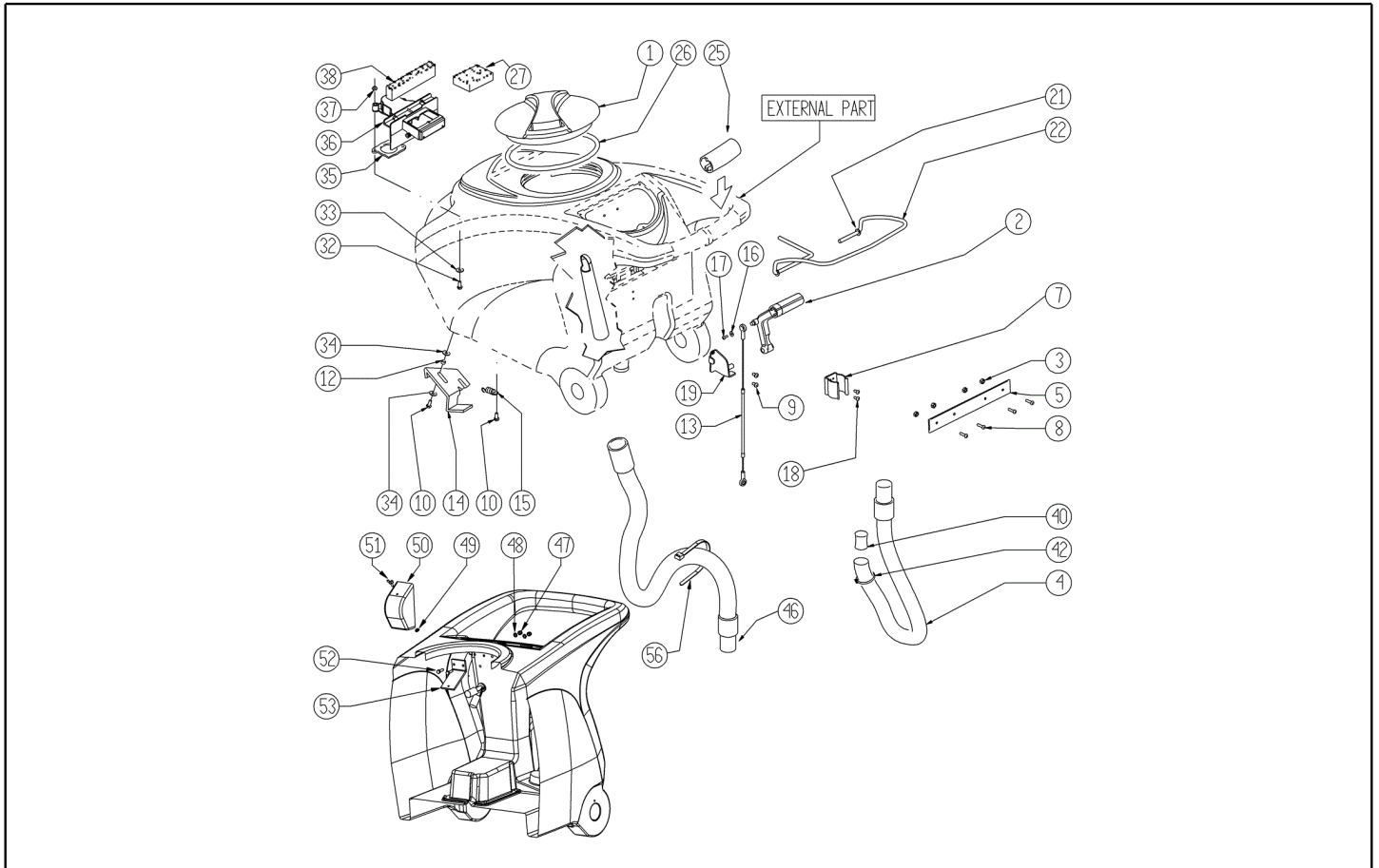
Ref. K	Part n.	Customer part n.	Description	Quantity	Validity		Price
					From	To	
0001	LAFN09302		CLOSURE -	2,00	26/09/2013		--
0002	MPVR49229	SL17608	BUSHING SHK	2,00			--
0003	MPVR05290		ROLLER PARACOLPI	2,00			--
0004	GUGO00164	SL03199	GASKET	2,00			--
0005	LAFN04100	SL07596	SPACER PER RUOTINO PARACOLPI	2,00			--
0006	MPVR06003		KNOB AISI 304	2,00		05/03/2013	--
0006	MPVR06004		KNOB AISI 304	2,00	06/03/2013		--
0008	VTRS00245	SL06022	WASHER D.6 UNI 6592 INOX	2,00			--
0009	LAFN09012		PLATE -	1,00			--
0010	GUVR00301		GASKET -	1,00			--
0011	GUVR00300		GASKET -	1,00			--
0012	LAFN09301		SOCKET -	2,00	26/09/2013		--
0014	LAFN08948		BRACKET -	1,00		25/09/2013	--
0014	LAFN09279		SHEET METAL PA. -	1,00	26/09/2013		--
0015	LAFN08949		BRACKET -	1,00		25/09/2013	--
0015	LAFN09280		SHEET METAL PA. -	1,00	26/09/2013		--
0016	MPVR05800		RUBBER BLADE FRONT SQUEEGEE S PU	1,00			--
0017	VTRS13945	SL06039	WASHER D. 6X18 INX UNI 6593	4,00			--
0018	KTRIO2048		SMALL SQUEEGEE BODY	1,00			--
0019	VTVT00841	SL04354	SCREW TE M 6X65 UNI 5739 INX	2,00			--
0020	VTVT15515	SL04261	SCREW TE M 6X 50 INOX A2	2,00			--
0021	MPVR05897		CLOSURE S	2,00			--
0022	MPVR05802		RUBBER REAR SQUEEGEE S PU	1,00			--
0023	LAFN08950		BRACKET -	1,00		25/09/2013	--
0023	LAFN09281		SHEET METAL PA. -	1,00	26/09/2013		--
0024	LAFN08951		BRACKET -	1,00		25/09/2013	--
0024	LAFN09283		SHEET METAL PA. -	1,00	26/09/2013		--
0025	LAFN09013		PLATE -	1,00			--
0026	VTVR00565		INSERT -	2,00			--
0027	VTDD00210		NUT M 3 AUTOBL.DIN 985 IX.A2	8,00	26/09/2013		--
0028	VTVT01070		SCREW TSTC M3X8	8,00	26/09/2013		--



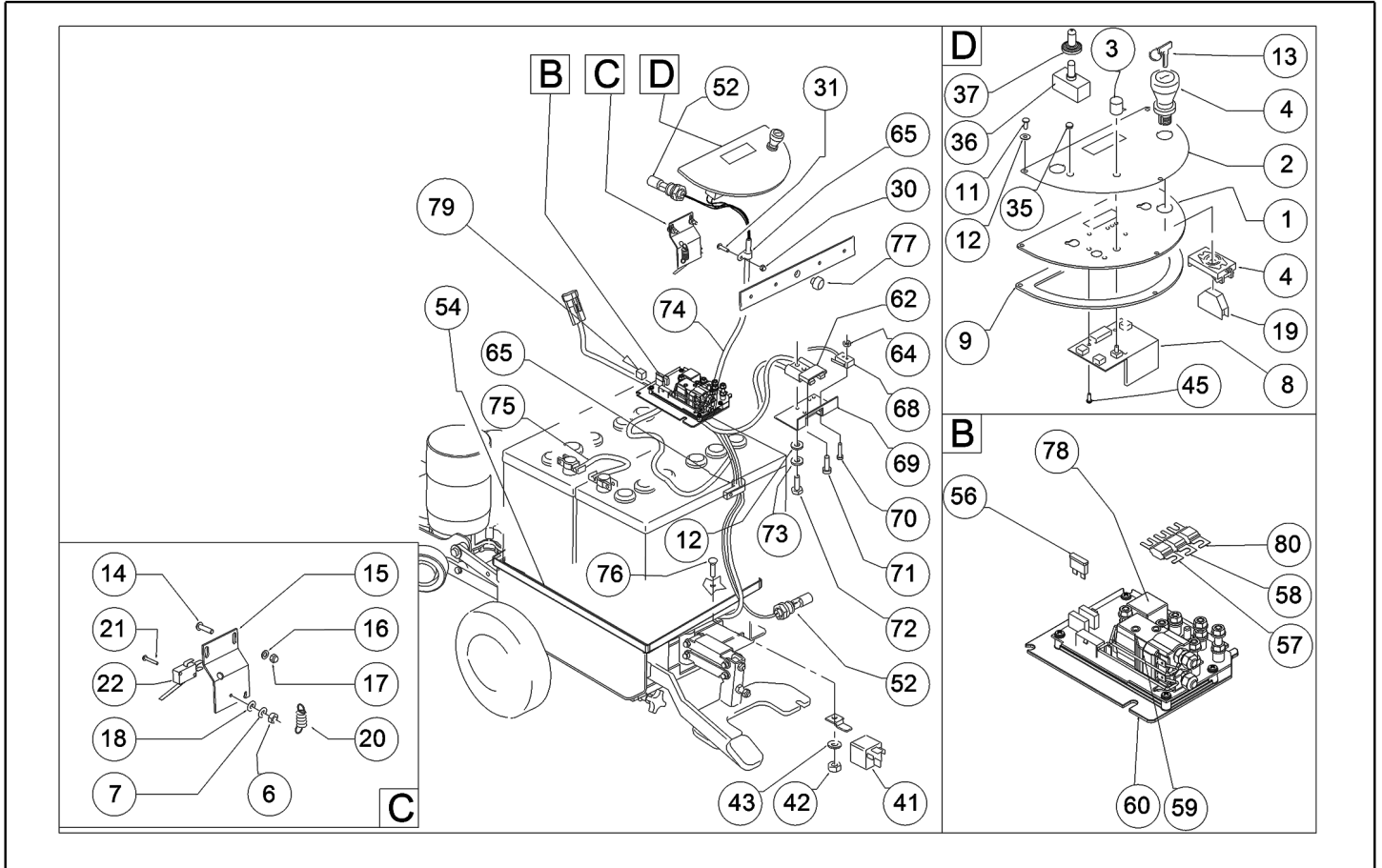
Ref. K	Part n.	Customer part n.	Description	Quantity	Validity		Price
					From	To	
0001	LAFN06391		BUSHING PARALLELOGRAMMA	5,00			--
0002	VTVT00285	SL04151	SCREW TE M12X110	1,00			--
0003	LAFN04190	SL07682	BUSHING PARALLELOGR.TEST.GR.	2,00			--
0004	LAFN07872		LEVER -	1,00			--
0005	LAFN09270		PEDALE -	1,00			--
0006	RTRT49171	SL08046	CASTER D. 80-12	1,00			--
0007	MFVR00226		SUPPORT SQUEEGEE	1,00			--
0008	LAFN09006		PIN -	1,00			--
0009	LAFN51068		Bushing	1,00			--
0010	VTRS13946	SL06025	WASHER D. 8 X24 INX UNI 6593	4,00			--
0011	VTVT00161	05244	SCREW TE M6X20	1,00			--
0012	LAFN10124		PLATE	1,00			--
0013	VTDD01695	SL05039	NUT M 8 INX	7,00			--
0014	LAFN07293		BASE SERBATOIO	1,00			--
0015	RTRT00395		WHEEL CASTOR D.80X25 PU	1,00			--
0016	VTDD15521	05518	NUT M 8 INX A2 UNI 5588	1,00			--
0017	MLML34726	SL13013	SPRING TR E350 N	1,00			--
0018	VTRS00245	SL06022	WASHER D.6 UNI 6592 INOX	1,00			--
0019	LAFN03840	SL07318	BUSHING	1,00			--
0020	VTVT15917	SL04143	SCREW TE M 8X50 INOX A2 UNI	1,00			--
0021	VTVT15907	SL04145	SCREW TE 8X25 UNI5739 INX	3,00			--
0022	MLML00313		SPRING -	1,00			--
0023	VTRS00274	SL06064	WASHER NYLON 66 D.8,4-17-2 UNI	1,00			--
0024	MLML31130	SL13037	SPRING D. 17.5 X110 N38	1,00			--
0025	VTVR35749	SL20047	HANDWHEEL M 6MAX110 D.35	1,00			--
0026	MLML00303		SPRING REGISTRAZIONE FLAP	1,00			--
0027	LAFN06388		ARM TESTATA SUPERIORE	1,00			--
0028	LAFN06389		ARM PARALLELOGRAMMA	1,00			--
0029	VTVR35749	SL20047	HANDWHEEL M 6MAX110 D.35	1,00			--
0031	VTDD01694	SL05074	NUT M6 INOX	1,00			--
0032	VTRS13947	75373	WASHER D. 8 INX UNI 6592	1,00			--
0033	MPVR05186		COVER -	1,00			--
0034	VTRS15978		WASHER D.12X24 UNI 6592 INX	3,00			--
0035	VTDD00176	SL05092	NUT M.12 INOX A2 BASSO AUTOB.	2,00			--
0036	VTVT00836	SL04343	SCREW TE M12-60 INOX	1,00			--
0037	VTRS13947	75373	WASHER D. 8 INX UNI 6592	4,00			--
0040	VTDD01694	SL05074	NUT M6 INOX	5,00			--
0041	VTRS00245	SL06022	WASHER D.6 UNI 6592 INOX	1,00			--
0042	VTVT00410	SL04127	SCREW TE M8x35 UNI5739 INOX	1,00			--
0043	VTVT15371	71051247	SCREW TE M 8X45 INOX A2 UNI	1,00			--
0044	MPVR05134		GASKET D.60 FORO D.12 SP.2	1,00			--
0045	VTRS00245	SL06022	WASHER D.6 UNI 6592 INOX	1,00			--
0046	VTDD15521	05518	NUT M 8 INX A2 UNI 5588	1,00			--
0047	VTVT13937	11051230	SCREW TE M 8X 30 INX UNI 5739	2,00			--



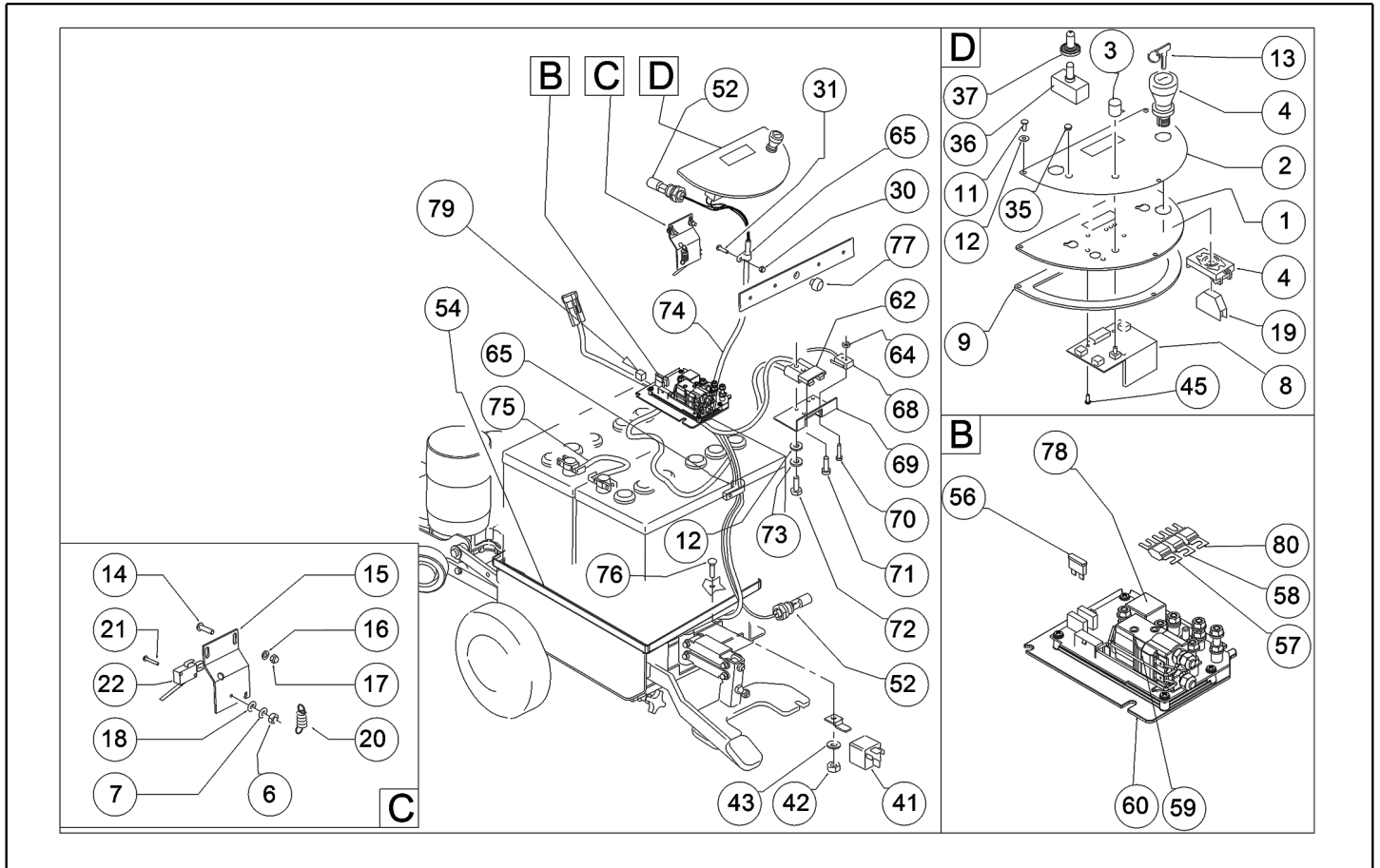
Ref. K	Part n.	Customer part n.	Description	Quantity	Validity		Price
					From	To	
0048	LAFN35747	SL07199	SPRING SUPPORT LAV. E/B 450	1,00			--
0050	VTRS09142	1105328	WASHER UNI 6593 12X36X2,5	1,00			--
0052	VTVT13937	11051230	SCREW TE M 8X 30 INX UNI 5739	1,00			--
0053	VTDD01695	SL05039	NUT M 8 INX	1,00			--
0054	MLML00338		SPRING -	1,00			--
0055	VTRS13945	SL06039	WASHER D. 6X18 INX UNI 6593	1,00			--
0056	VTDD01694	SL05074	NUT M6 INOX	1,00			--
0057	VTDD00053	75386	NUT M6 INOX UNI5589	1,00			--
0058	LAFN09231		BRACKET M6X11X29	1,00			--
0060	VTVT01008		SCREW 6X110	1,00			--
0061	VTVT01009		SCREW 8X60	1,00			--
0062	MFVR00227		SUPPORT SQUEEGEE	1,00			--
0063	VTRS00274	SL06064	WASHER NYLON 66 D.8,4-17-2 UNI	2,00			--
0064	MPVR06069		WASHER 15X40	1,00			--
0065	VTRS09142	1105328	WASHER UNI 6593 12X36X2,5	1,00			--
0076	VTVT00224	SL04294	SCREW	1,00			--
0077	LAFN06860		BRACKET CT70	1,00			--
0078	VTDD01695	SL05039	NUT M 8 INX	1,00			--
0079	VTRS15146	05519	WASHER D. 8 INX GRW UNI 1751	1,00			--



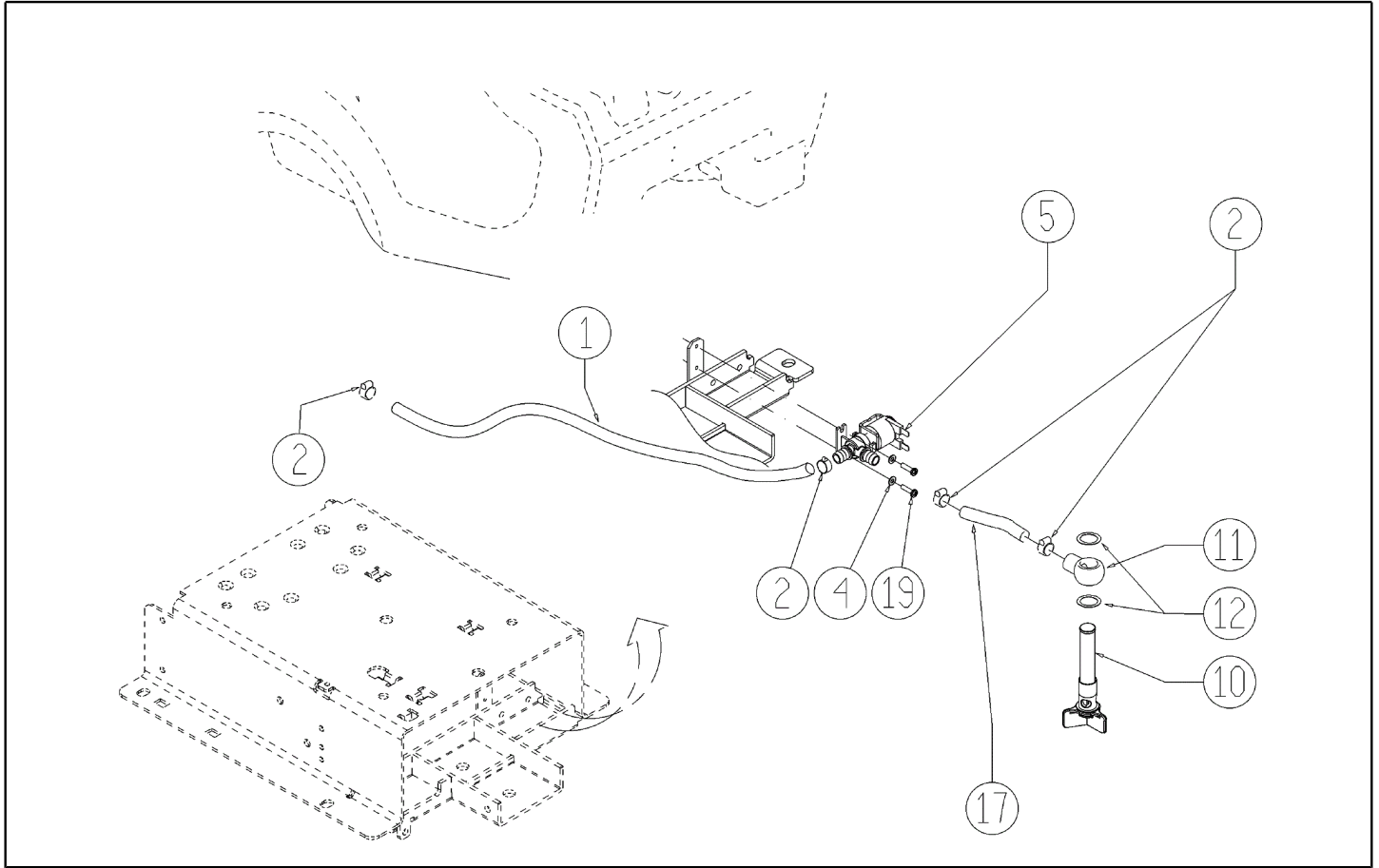
Ref. K	Part n.	Customer part n.	Description	Quantity	Validity		Price
					From	To	
0001	MPVR04051	SL17611	TANK CAP	1,00			--
0002	MPVR49942	SL17614	LEVER SQUEEGEE LIFTING PP	1,00			--
0003	VTDD15518	75375	NUT M 6 INX	4,00			--
0004	TBFX00358		TUBE PU CT40/70/90	1,00			--
0005	LAFN05865	SL39336	PLATE COPRILEVA CONSENSO	1,00			--
0007	MPVR46988	SL13118	CLIP LAV. SHK	1,00			--
0008	VTVT00651	SL04055	SCREW TBEI M. 5x16 INOX	4,00			--
0009	VTVT15906	SL04180	SCREW TE 6X 12 A2 UNI 5739	2,00			--
0010	VTVT15143	SL04135	SCREW TE 6X16 UNI5739	3,00			--
0012	LAFN03626	SL07047	SPACER	2,00			--
0013	CMCV00464		CABLE SOLLEVAMENTO TERGI	1,00			--
0014	LAFN06849		HANDLE CT 70	1,00			--
0015	MLML00203	SL13098	SPRING	1,00			--
0016	VTRS00251	SL06031	WASHER 4-16 INOX A2	1,00			--
0017	VTVT00800	SL04303	SCREW TC 4X12 ZN	1,00			--
0018	VTVT21096	SL04032	SCREW TE M 4X 10 INX	2,00			--
0019	LAFN05870	SL39341	BRACKET LEVA SOLLEVAM. SQUEEGEE	1,00		06/09/2016	--
0019	LAFN11019		BRACKET -	1,00	07/09/2016		--
0021	VTRS13947	75373	WASHER D. 8 INX UNI 6592	2,00			--
0022	LAFN05861	SL39332	LEVER CONSENSO SPAZZOLE	1,00		12/06/2014	--
0022	LAFN09339		LEVER -	1,00	13/06/2014		--
0025	MPVR05215		KNOB -	2,00			--
0026	GUGO00263	SL03612	GASKET CIRCOLARE TAPPO	1,00			--
0027	FTDP00133	SL03647	FILTER VACUUM MOTOR	1,00			--
0032	VTVT01139		SCREW TE M.4-25	2,00			--
0033	VTRS00515	SL06032	WASHER D. 4 INX	2,00			--
0034	VTRS00274	SL06064	WASHER NYLON 66 D.8,4-17-2 UNI	4,00			--
0035	GUGO00417		GASKET SCATOLA ASPIRAZIONE	1,00			--
0036	MPVR05482		BOX -	1,00			--
0037	VTDD15925	SL05078	NUT M 4 INX	2,00			--
0038	GUGO00418		GASKET CONDOTTO ASPIRAZIONE	1,00			--
0040	GUGO00245	SL03519	GASKET	1,00			--
0042	FSVR43136	SL14063	CLAMP D. 35-40 DF.	1,00			--
0046	KTRI04696		KIT REPLACEMENT TBFX00353	1,00			--
0047	VTDD01693	SL05087	NUT M 5 INX	2,00			--
0048	VTRS00516	SL06034	WASHER D. 5 INX	2,00			--
0049	VTVR01038		WASHER -	1,00			--
0050	MPVR05596		PROTECTION -	1,00			--
0051	VTVT01150		SCREW 4x10	1,00			--
0052	VTVT07725	SL04152	SCREW TE 5X16 UNI5739 INX	2,00			--
0053	LAFN07631		BRACKET -	1,00			--
0056	FSVR00248		CLAMP -	1,00			--



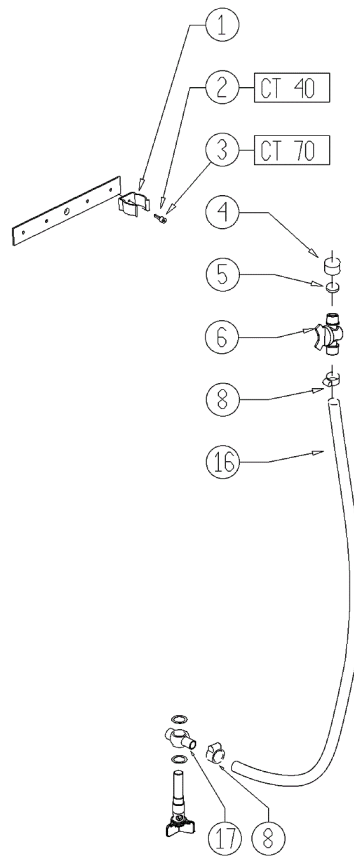
Ref. K	Part n.	Customer part n.	Description	Quantity	Validity		Price
					From	To	
0001	LAFN08989		SUPPORT -	1,00			--
0002	ETET01717		LABEL -	1,00			--
0003	MEVR01666		KNOB POTENTIOMETER	1,00			--
0004	MECI00402		BUTTON A FUNGO	1,00			--
0006	VTDD21115	SL05019	NUT M 3 INOX	5,00			--
0007	VTRS00268	SL06056	WASHER D.3	5,00			--
0008	MECE00474		BOARD CT70 EV	1,00		10/04/2013	--
0008	MECB01329		BOARD BT CT70 H2O - NEW	1,00	11/04/2013		--
0009	GUGO38417		GASKET PANN.COM.EXTREME	1,00			--
0011	VTVT37012	SL04289	SCREW M 4X 10 TCB-TC INX	3,00			--
0012	VTRS00515	SL06032	WASHER D. 4 INX	10,00			--
0013	CHVR00051		Fixing Lever	1,00			--
0014	VTVT07725	SL04152	SCREW TE 5X16 UNI5739 INX	2,00			--
0015	LAFN05904	SL39374	PLATE MICRO LEVA	1,00			--
0016	VTRS00516	SL06034	WASHER D. 5 INX	2,00			--
0017	VTDD01693	SL05087	NUT M 5 INX	6,00			--
0018	VTRS21116	SL06009	WASHER D. 3 INX				--
0019	MECI00403		CONTACT -	1,00			--
0020	MLML34726	SL13013	SPRING TR E350 N	1,00		09/07/2014	--
0020	MLML00203	SL13098	SPRING	1,00	10/07/2014		--
0021	VTVT01316		SCREW TC+ M3-16	2,00			--
0022	MECI36393	SL23109	MICROSWITCH TRZ. DRW	1,00			--
0030	VTDD15925	SL05078	NUT M 4 INX	1,00			--
0031	VTVT00704	SL04149	SCREW TE M 4X 16 UNI5739 INOX	5,00			--
0035	RCVR00164	70216		1,00			--
0036	MECI30499		SWITCH 10A - 250VAC	1,00			--
0037	MEVR01975		RUBBER DEVIATORE	1,00			--
0041	MECI00005	1180040	RELAY 24V 10/20A	1,00			--
0042	VTDD01694	SL05074	NUT M6 INOX	1,00			--
0043	VTRS00245	SL06022	WASHER D.6 UNI 6592 INOX	1,00			--
0045	VTVT00722	SL04179	SCREW	3,00			--
0052	MECI00516		SENSOR DI LIVELLO ORIZZONTALE	2,00			--
0054	LAFN35588	SL17162-1	BATTERY SUPPORT LAV. BT	1,00			--
0056	MEVR01428	SL53040	FUSE A LAMA 2 A. UNIVAL	1,00			--
0057	MEVR02061		FUSE 80A	1,00		31/12/2015	--
0057	MEVR02105		FUSE 50A OMEGA FT3050	1,00	01/01/2016		--
0058	MEVR02060		FUSE 40A	1,00			--
0059	METT00085		CONTACTOR 100A	1,00			--
0060	MECE00574		BOARD CT40-70-90	1,00			--
0062	MEVR01079	SL23010K	PLUG M CB50 A 600V RD.	1,00			--
0064	VTDD08634	SL05031	NUT M2	2,00			--
0065	FSVR00099	SL14150	CLAMP FERMATUBO	2,00			--
0068	MECI00334	SL53031-L	MICROSWITCH V4	1,00			--
0069	LAFN06409		SUPPORT -	1,00			--



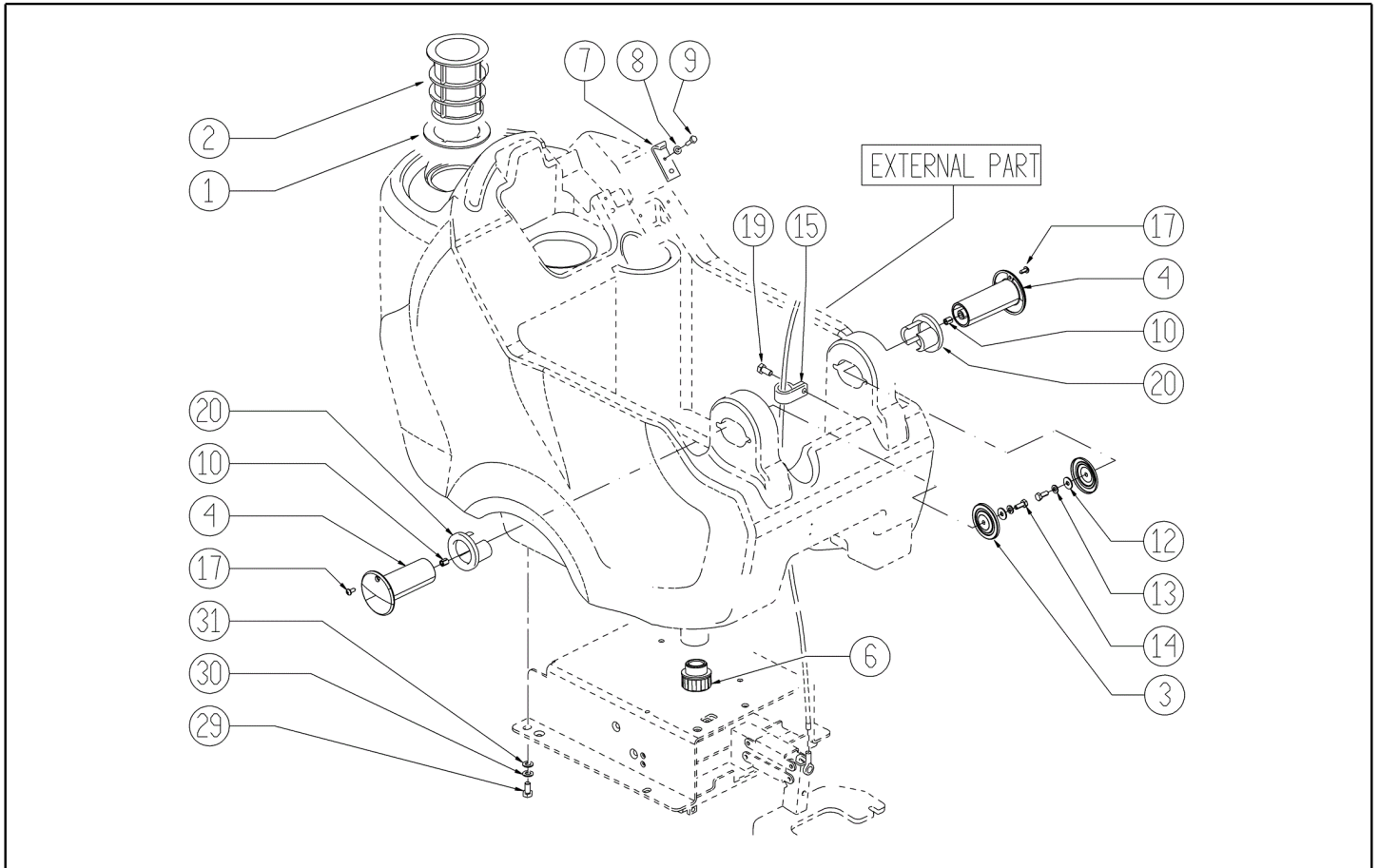
Ref. K	Part n.	Customer part n.	Description	Quantity	Validity		Price
					From	To	
0070	VTVT00671	SL04086	SCREW TC- M.2-16 OTTONE	2,00			--
0071	VTVT00872	SL04393	SCREW TSP+ 2.9X13 AUTOFIL. INOX	1,00			--
0072	VTVT00814	SL04320	SCREW TE M.4-25	2,00			--
0073	VTRS15913	SL06107	WASHER D. 4 GROVER A2 UNI1751	2,00			--
0074	MECB01302		WIRING CT40-70 BT	1,00		10/04/2013	--
0074	MECB01334		WIRING CT40-55-70 BT	1,00	11/04/2013		--
0075	MEVR34820	SL23838	WIRING B 450 BT	1,00			--
0076	VTVT01676		SCREW TSTC UNI 7688 M6X16	1,00			--
0077	MPVR00043	12602002	CAP CHIUS.FORO PORTAFUS.L 15	1,00			--
0078	MECE00139	70194	RELAY 24V 70A	1,00			--
0079	GUGO00460		MOUSSE 20x15x18	1,00	20/05/2015		--
0080	MEVR02104		FUSE 30A OMEGA FT3030	1,00			--



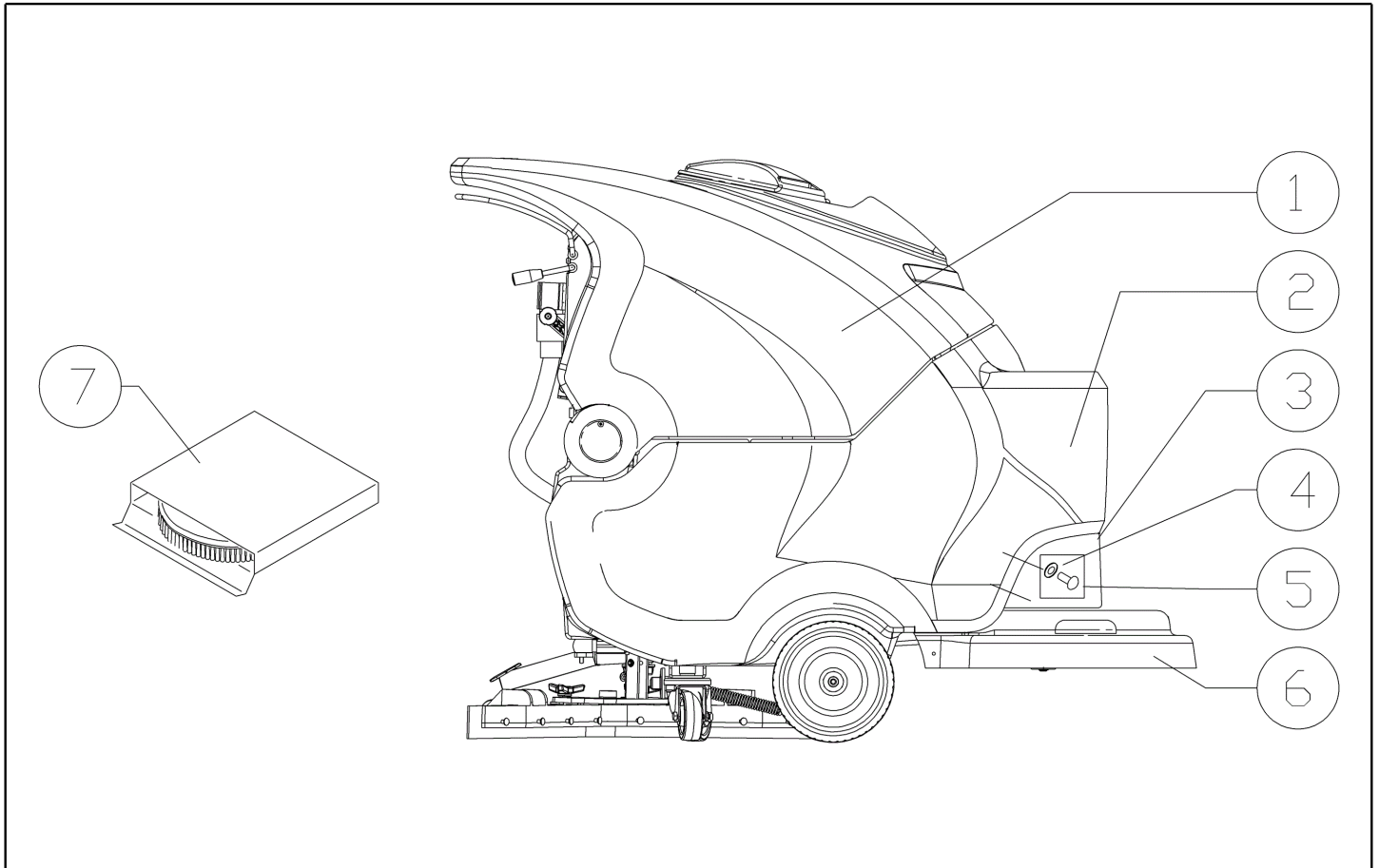
Ref. K	Part n.	Customer part n.	Description	Quantity	Validity		Price
					From	To	
0001	TBFX48011	MP19205	TUBE FLEX D.12X3 ARMORV.PVC TR	0,71			--
0002	FSVR00428		CLAMP D. 12-20	4,00			--
0004	VTRS00515	SL06032	WASHER D. 4 INX	2,00			--
0005	MEEV00036		SOLENOID VALVE HOLE 8mm CLEANTIME	1,00			--
0010	MPVR05221		FILTER COMPLETO	1,00		14/02/2013	--
0010	MPVR06303		FILTER CT40-70-90	1,00	15/02/2013		--
0011	LAFN07783		CONNECTOR -	1,00			--
0012	VTRS00567		WASHER 1/2	2,00			--
0017	TBFX48011	MP19205	TUBE FLEX D.12X3 ARMORV.PVC TR	0,17			--
0019	VTVT01158		SCREW M4x16	2,00			--



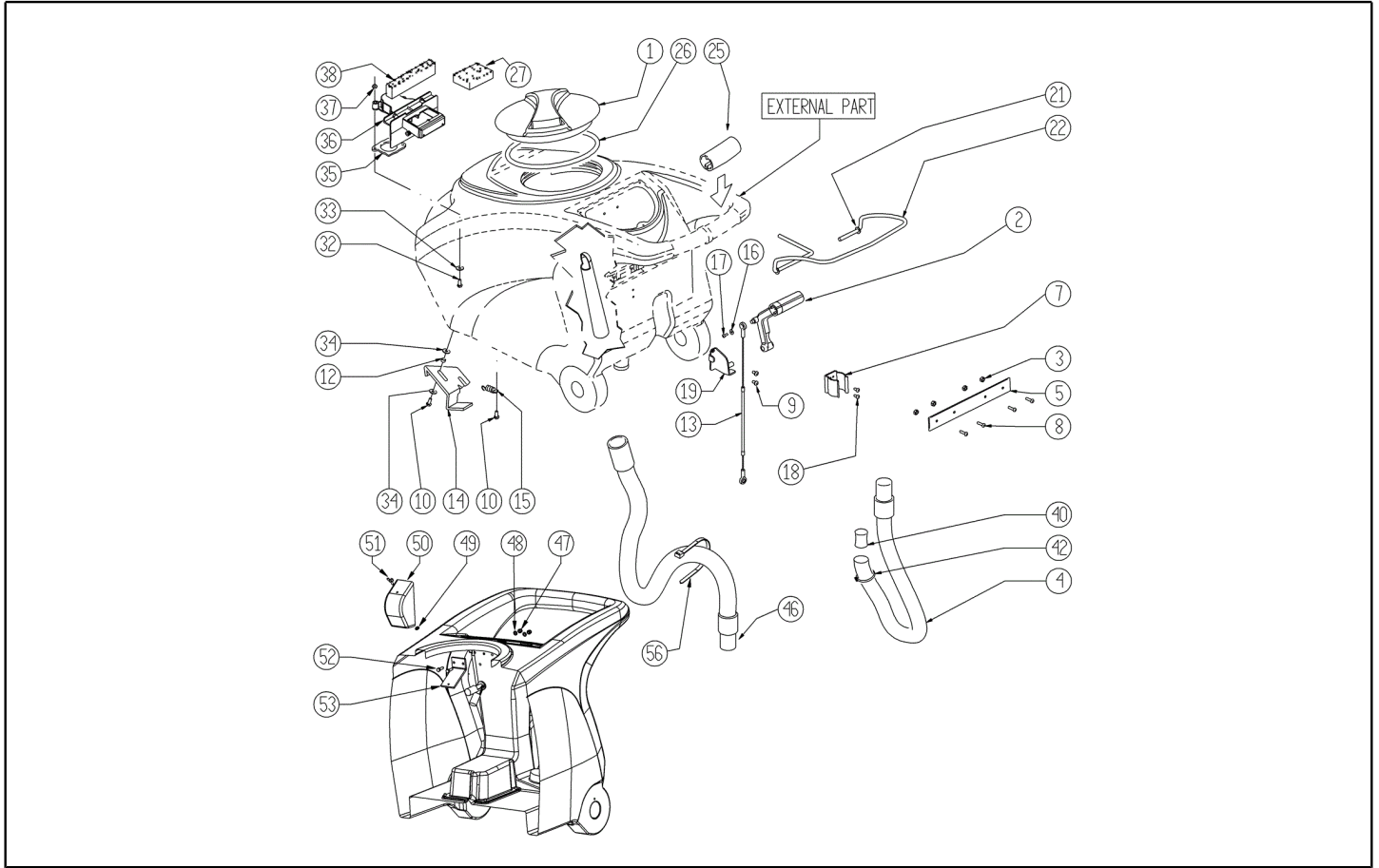
Ref. K	Part n.	Customer part n.	Description	Quantity	Validity		Price
					From	To	
0001	MPVR05280		CLIP M25	1,00			--
0002	VTVT19236	1105777	SCREW TCCE UNI 5931 5X20 ZB	1,00			--
0003	VTVT01327		SCREW TCEI 5X25 UNI5931	1,00			--
0004	RCVR00353	SL14382	CAP 1/2"G X ELETTR. ACL	1,00			--
0005	GUGO00268	SL03630	GASKET D.21 SP.3 GOMMA	1,00			--
0006	RCVR00590		CONNECTOR 1/2 M RESCA 15	1,00			--
0008	FSVR00428		CLAMP D. 12-20	4,00			--
0016	TBBP00435		TUBE D.16	1,00			--
0017	RCVR00767		CONNECTOR -	1,00			--



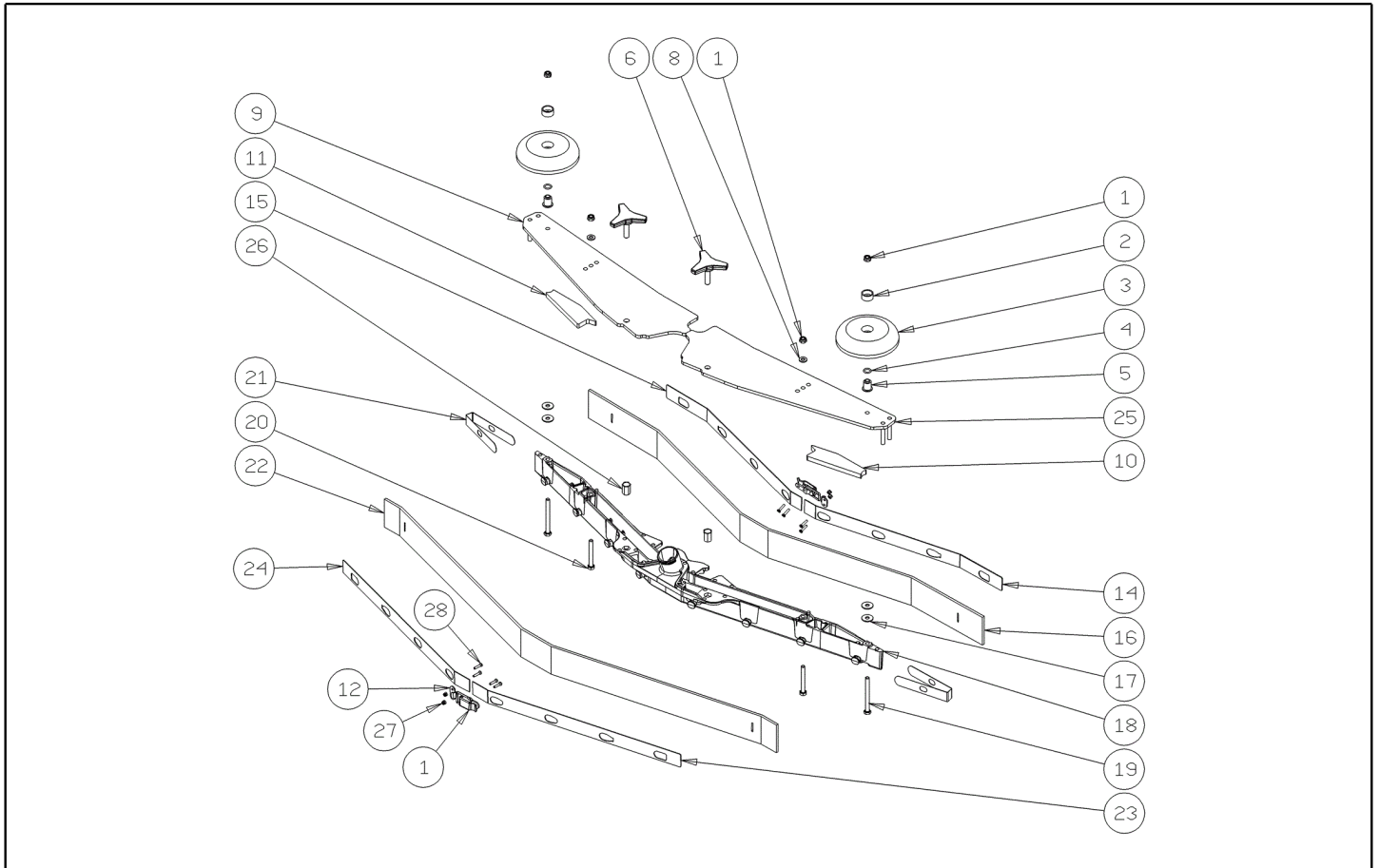
Ref. K	Part n.	Customer part n.	Description	Quantity	Validity		Price
					From	To	
0001	GUGO00267	SL03627	GASKET FILTRO	1,00			--
0002	FTAC00040		FILTER -	1,00			--
0003	LAFN07800		SHEET METAL PA. -	2,00			--
0004	MPVR48695	SL17493-1	PIN SHK.BK	2,00		10/09/2014	--
0004	MPVR06407		PIN -	2,00	11/09/2014		--
0006	MPVR08003		CAP	1,00		13/12/2016	--
0006	MPVR10774		CAP 1/2"	1,00	14/12/2016		--
0007	LAFN06489		PLATE	1,00			--
0008	VTRS15144	11051232	WASHER D. 6 INX GRW UNI 1751	1,00			--
0009	VTVT01303		SCREW TE M6-10 INOX	1,00			--
0010	VTVR48693	1105901	INSERT FILETTATO M6	2,00			--
0012	VTRS13945	SL06039	WASHER D. 6X18 INX UNI 6593	2,00			--
0013	VTRS15144	11051232	WASHER D. 6 INX GRW UNI 1751	2,00			--
0014	VTVT15143	SL04135	SCREW TE 6X16 UNI5739	2,00			--
0015	MPVR02933	SL14146	DUCT LOCK D.9,5	2,00			--
0017	VTVT48694	SL04371	SCREW TCB TC 5 X12 UNI 9707 TZ	2,00		10/09/2014	--
0019	VTVT15961	SL04108	SCREW M 5X 16 TCB TC UNI 7687	1,00			--
0020	PMVR02028		RUBBER GRUPPO MONTAGGIO	2,00			--
0029	VTVT15916	SL04203	SCREW TE M 8X 16 UNI 5739 A2	4,00			--
0030	VTRS00269	SL06057	WASHER D. 8 DIN 6798-A INX A2	4,00			--
0031	VTRS13947	75373	WASHER D. 8 INX UNI 6592	4,00			--



Ref. K	Part n.	Customer part n.	Description	Quantity	Validity		Price
					From	To	
0001	MPVR05929		TANK SOLUZIONE CT75	1,00			--
0002	MPVR05559		TANK SOLUTION CT70	1,00			--
0003	MPVR05208		COVER 50-55	1,00			--
0004	VTRS00516	SL06034	WASHER D. 5 INX	4,00			--
0005	VTVT15961	SL04108	SCREW M 5X 16 TCB TC UNI 7687	4,00			--
0006	MPVR04722		BRUSH PROTECT. 55	1,00			--
0007	SPPV43963	AL02251	BRUSH NYL 0.8 500	1,00			--



Ref. K	Part n.	Customer part n.	Description	Quantity	Validity		Price
					From	To	
0001	MPVR04051	SL17611	TANK CAP	1,00			--
0002	MPVR49942	SL17614	LEVER SQUEEGEE LIFTING PP	1,00			--
0003	VTDD15518	75375	NUT M 6 INX	4,00			--
0004	TBFX00348		TUBE CT40-70-90 HOSE DRAIN	1,00		10/04/2013	--
0004	TBFX00358		TUBE PU CT40/70/90	1,00	11/04/2013		--
0005	LAFN05865	SL39336	PLATE COPRILEVA CONSENSO	1,00			--
0007	MPVR46988	SL13118	CLIP LAV. SHK	1,00			--
0008	VTVT00651	SL04055	SCREW TBEI M. 5x16 INOX	4,00			--
0009	VTVT15906	SL04180	SCREW TE 6X 12 A2 UNI 5739	2,00			--
0010	VTVT15143	SL04135	SCREW TE 6X16 UNI5739	3,00			--
0012	LAFN03626	SL07047	SPACER	2,00			--
0013	CMCV00361		CABLE CABLE LIFTING SQUEEGEE HD	1,00			--
0014	LAFN06849		HANDLE CT 70	1,00			--
0015	MLML00203	SL13098	SPRING	1,00			--
0016	VTRS00251	SL06031	WASHER 4-16 INOX A2	1,00			--
0017	VTVT00800	SL04303	SCREW TC 4X12 ZN	1,00			--
0018	VTVT21096	SL04032	SCREW TE M 4X 10 INX	2,00			--
0019	LAFN05870	SL39341	BRACKET LEVA SOLLEVAM. SQUEEGEE	1,00		06/09/2016	--
0019	LAFN11019		BRACKET -	1,00	07/09/2016		--
0021	VTRS13947	75373	WASHER D. 8 INX UNI 6592	2,00			--
0022	LAFN05861	SL39332	LEVER CONSENSO SPAZZOLE	1,00		12/06/2014	--
0022	LAFN09339		LEVER -	1,00	13/06/2014		--
0025	MPVR05215		KNOB -	2,00			--
0026	GUGO00263	SL03612	GASKET CIRCOLARE TAPPO	1,00			--
0027	FTDP00133	SL03647	FILTER VACUUM MOTOR	1,00			--
0032	VTVT01139		SCREW TE M.4-25	2,00			--
0033	VTRS00515	SL06032	WASHER D. 4 INX	2,00			--
0034	VTRS00274	SL06064	WASHER NYLON 66 D.8,4-17-2 UNI	4,00			--
0035	GUGO00417		GASKET SCATOLA ASPIRAZIONE	1,00			--
0036	MPVR05482		BOX -	1,00			--
0037	VTDD15925	SL05078	NUT M 4 INX	2,00			--
0038	GUGO00418		GASKET CONDOTTO ASPIRAZIONE	1,00			--
0040	GUGO00245	SL03519	GASKET	1,00			--
0042	FSVR43136	SL14063	CLAMP D. 35-40 DF.	1,00			--
0046	KTRI04696		KIT REPLACEMENT TBFX00353	1,00			--
0047	VTDD01693	SL05087	NUT M 5 INX	2,00			--
0048	VTRS00516	SL06034	WASHER D. 5 INX	2,00			--
0049	VTVR01038		WASHER -	1,00			--
0050	MPVR05596		PROTECTION -	1,00			--
0051	VTVT01150		SCREW 4x10	1,00			--
0052	VTVT07725	SL04152	SCREW TE 5X16 UNI5739 INX	2,00			--
0053	LAFN07631		BRACKET -	1,00			--
0056	FSVR00248		CLAMP -	1,00			--



Ref. K	Part n.	Customer part n.	Description	Quantity	Validity		Price
					From	To	
0001	LAFN09302		CLOSURE -	2,00	26/09/2013		--
0002	MPVR49229	SL17608	BUSHING SHK	2,00			--
0003	MPVR05290		ROLLER PARACOLPI	2,00			--
0004	GUGO00164	SL03199	GASKET	2,00			--
0005	LAFN04100	SL07596	SPACER PER RUOTINO PARACOLPI	2,00			--
0006	MPVR06003		KNOB AISI 304	2,00		05/03/2013	--
0006	MPVR06004		KNOB AISI 304	2,00	06/03/2013		--
0008	VTRS00245	SL06022	WASHER D.6 UNI 6592 INOX	2,00			--
0009	LAFN09012		PLATE -	1,00			--
0010	GUVR00301		GASKET -	1,00			--
0011	GUVR00300		GASKET -	1,00			--
0012	LAFN09301		SOCKET -	2,00	26/09/2013		--
0014	LAFN08948		BRACKET -	1,00		25/09/2013	--
0014	LAFN09279		SHEET METAL PA. -	1,00	26/09/2013		--
0015	LAFN08949		BRACKET -	1,00		25/09/2013	--
0015	LAFN09280		SHEET METAL PA. -	1,00	26/09/2013		--
0016	MPVR08039		BLADE S LATEX	1,00			--
0017	VTRS13945	SL06039	WASHER D. 6X18 INX UNI 6593	4,00			--
0018	KTRIO2048		SMALL SQUEEGEE BODY	1,00			--
0019	VTVT00841	SL04354	SCREW TE M 6X65 UNI 5739 INX	2,00			--
0020	VTVT15515	SL04261	SCREW TE M 6X 50 INOX A2	2,00			--
0021	MPVR05897		CLOSURE S	2,00			--
0022	MPVR08035		BLADE S LATEX	1,00			--
0023	LAFN08950		BRACKET -	1,00		25/09/2013	--
0023	LAFN09281		SHEET METAL PA. -	1,00	26/09/2013		--
0024	LAFN08951		BRACKET -	1,00		25/09/2013	--
0024	LAFN09283		SHEET METAL PA. -	1,00	26/09/2013		--
0025	LAFN09013		PLATE -	1,00			--
0026	VTVR00565		INSERT -	2,00			--
0027	VTDD00210		NUT M 3 AUTOBL.DIN 985 IX.A2	8,00	26/09/2013		--
0028	VTVT01070		SCREW TSTC M3X8	8,00	26/09/2013		--