

Wet/Dry Vacuums

Polyethylene, Polypropylene, & Steel

Operations and Parts Manual



IPC

EAGLE



Models:

GC	150
GC	190
GC	290
GC	390
GS	162
GS	178
GP	172
GS	278

IMPORTANT SAFETY INSTRUCTIONS

When using an electrical appliance, basic precaution must always be followed, including the following:

READ ALL INSTRUCTIONS BEFORE USING THIS MACHINE.

This machine is for commercial use.

WARNING



DANGER: Failure to read and observe all DANGER statements could result in severe bodily injury or death. Read and observe all DANGER statements found in your Owner's Manual and on your machine.



WARNING: Failure to read and observe all WARNING statements could result in injury to you or to other personnel; property damage could occur as well. Read and observe all WARNING statements found in your Owner's Manual and on your machine.



CAUTION: Failure to read and observe all CAUTION statements could result in damage to the machine or to other property. Read and observe all CAUTION statements found in your Owner's Manual and your machine.



DANGER: Failure to read the Owner's Manual prior to operating or attempting any service or maintenance procedure to your machine could result in injury to you or to other personnel; damage to the machine or to other property could result as well. You must have training in the operation of this machine before using it. If you or your operator(s) cannot read English, have this manual explained fully before attempting to operate this machine.



DANGER: Operating a machine that is not completely or fully assembled could result in injury or property damage. Do not operate this machine until it is completely assembled. Inspect the machine carefully before operation. Use only as described in this manual. Use only the manufacturer's recommended attachments.



DANGER: Machines can cause an explosion when operated near flammable materials and vapors. Do not use this machine with or near fuels, grain dust, solvents, thinners, or other flammable materials.



DANGER: Do not pick up flammable fluids, dust or vapors.



DANGER: Do not vacuum anything that is burning or smoking, such as cigarettes, matches, or hot ashes.



DANGER: This machine is not suitable for picking up health endangering dust.



DANGER: Using a machine with a damaged power cord could result in an electrocution. Do not use the machine if the power cord is damaged. Do not use the electrical cord to move the machine. Keep cord away from heated surfaces. Do not unplug by pulling on the cord; grasp the plug, not the cord. Turn off all controls before unplugging. Do not close a door on cord or pull around sharp edges or corners.



DANGER: Electrocution could occur if maintenance and repairs are performed on a unit that is not properly disconnected from the power source. Disconnect the power supply before attempting any maintenance or service.



Warning: Operating a machine without observing all labels, decals, etc., could result in injury or damage. Read all machine labels before attempting to operate the machine. Make sure all of the labels are attached or fastened to the machine. Get replacement labels and decals from the manufacturer's distributor.



Warning: Electrical components can "short-out" if exposed to water or moisture. Keep the electrical components of the machine dry. Always store the machine in a dry area.



Warning: Use of this machine to move other objects or to climb on could result in injury to the operator or damage to the machine. Do not use this machine as a step or furniture. Do not allow to be used as a toy. Close attention is necessary when used by or near children.



Warning: Moving parts of this machine can cause injury and/or damage. Keep hands, feet, loose clothing, hair, fingers, and all parts of the body away from openings and moving parts.



Warning: Electrocutation could occur if you handle the plug or appliance with wet hands. Do not handle plug or appliance with wet hands.



Warning: Do not use without dust bag and or filters in place.



Warning: Rotating fan blades inside the cover. Before opening cover, switch off machine. Wait until the fan/brush stops completely or dust and debris may be ejected.



Warning: If the machine is not working properly, has been dropped, damaged, left outdoors, or dropped into water, return it to an Authorized service center.



Warning: Damage could occur to machine if openings are blocked. Do not put any object into openings. Do not use any opening blocked: keep free of dust, lint, hair, and anything that may reduce air flow.



Warning: Injury could occur to the operator or the machine if used without the dust bag and/or filters in place. Do not use the machine without the dust bag and/or filters in place.



Warning: Injury to the operator and/or damage to the machine could occur when cleaning on stairs, unless caution is used. Use extreme caution when cleaning on stairs.

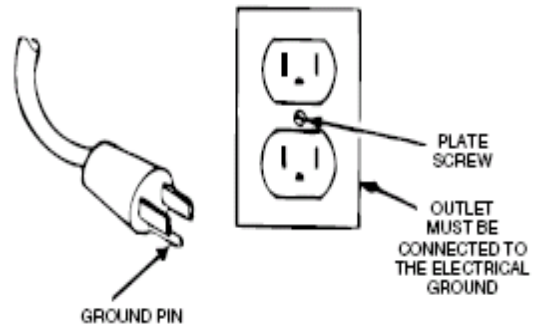


Warning: To reduce the risk of electrical shock, always use a 3-wire electrical system connected to the electrical ground. Whenever possible connect the machine to an outlet protected by a ground fault interrupter (GFCI). See "Grounding Instructions."

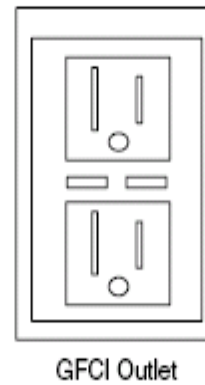
SAVE THESE INSTRUCTIONS

120 Volt Machine Instructions For Connection To The Power Supply And The Electrical Ground

This machine must be connected to the electrical ground to protect the operator from electrical shock. The machine has an approved power cord with three conductors and a plug with three terminals. Connect the plug to a receptacle that has three holes and is connected to the electrical ground. The green (or green and yellow) conductor in the cord is the ground wire. Never connect this wire to any terminal other than the ground terminal.



This machine uses a 120 volt AC 60 cycle electrical circuit. Make sure you have the correct frequency and voltage before connecting the power cord to an outlet. The machine has a plug as shown in Figure 1. If a receptacle connected to the electrical ground as shown in Figure 1 is not available, have one installed by an electrical contractor. **Do not use an adapter.**



Warning: To reduce the risk of electrical shock, protect the machine from rain. Keep the machine in a dry area.



Warning: To reduce the risk of electrical shock, always use a 3-wire electrical system connected to the electrical ground. Whenever possible connect the machine to an outlet protected by a ground fault interrupter (GFCI).



Warning: Do not cut, remove or break the ground pin. If the outlet does not fit the plug, consult your electrical contractor.



Warning: Have worn, cut or damaged cords and plugs replaced by an authorized service person.



Warning: If it becomes necessary to use an extension cord to reach an electrical outlet, you must use one that is at least one size larger in wire size. Such as a power cord that is marked 12/3 would need to use an extension cord that is marked 10/3. Do not use an extension cord that is undersized.

IMPORTANT INSTRUCTIONS

- Before use, the equipment must be correctly assembled with all of its components
- Check that the electrical outlet is correct for use with the plug on the machine
- Before connecting, check that the specified motor voltage corresponds to the main voltage available
- Never use the equipment near flammable, explosive or toxic substances: sparks from the motor could cause dangerous reactions.
- Always unplug the machine from the electrical outlet when leaving machine unattended or before attempting any repair.
- Service and repair should be done by qualified personnel only. Use only original manufacturer's replacement parts.

Operation

This machine is a commercial vacuum designed for wet or dry pick up. And must be stored in a dry location.

- Machines with dual or triple vac motors can be run together or independently as the job requires.
- Dry soil can be vacuumed directly into the tank or into a disposable paper bag fitted onto the vacuum inlet.
- For wet pick-up, remove polyester filter. The machine is equipped with a shut-off float. As the tank is filled to capacity, a float rises and seals the vac intake, causing a loss of vacuum. Switch off the vacuum when this happens and bring the machine to a drain.
- To empty the machine, either use the drain hose mounted on the back of the tank, or remove the motor head assembly and tilt the tank backwards on tipping models, or lift and dump out the contents of smaller units.
- With both wet and dry applications be sure to frequently clean the filter. This is especially true when the vacuum is being used with strippers and floor finish.

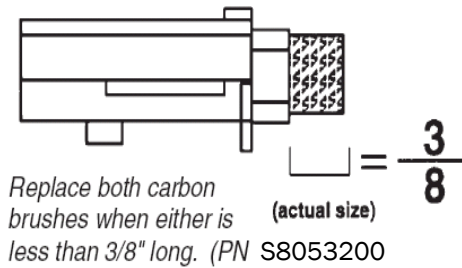
After Use

1. Store the cord on the hook.
2. Store the appliance indoors, away from sources of heat.
3. This appliance is provided with an automatically reset thermal limiter to avoid damage to motor. If thermal limiter operates do one or more of the following:
 - Change the bag
 - Clean or replace the cartridge filter
 - Check hose and tank inlet for any obstructions
 - Wait a few minutes for the thermal limiter to re-close the circuit

Periodic Maintenance

(Every six to twelve months)

1. Check filter for wear, replace dirt saturated filters that do not respond to normal cleaning.
2. Inspect gasket seals and replace those which have begun to leak.
3. Examine carbon motor brushes and commutator.



Servicing The Filter

The filter is accessed by lifting the head assembly off the tank.

The Polyester filter assembly is easily removed by simply lifting the filter basket out of the tank.

The cartridge filters they are removed very easily. First remove the filter retainer by turning the black knob 90 degrees counter-clockwise. The cartridge filter will then slide off of the support assembly.

Note:

- Be sure to frequently clean the filters.
- Allow filters to thoroughly air dry after washing them before returning them to the machine.
- Worn filters can affect vacuum performance. Replace the filters when they become worn out and normal cleaning will not restore vacuum performance.

Servicing The Vac Motor

Motor Replacement

1. Disconnect power cord from power source.
2. To access the vac motor, remove the screws that attach the main cover to the head assembly and set the cover to one side.
3. Disconnect the motor's 2 red lead wires from the main wiring bridge.
4. Disconnect green/yellow wire by removing the screw from the motor core.
5. Remove the four motor mounting screws.
6. Remove motor plate and set aside.
7. Take out the motor and remove the upper and lower gaskets.
8. Inspect gaskets. If they show signs of wear replace the.
9. Install gaskets onto new motor ensuring that they are properly seated.
10. Install the new motor. Make sure foam mufflers are positioned properly.
11. Attach motor plate to motor.
12. Connect green/yellow wire to motor core.
13. Connect motor's 2 red lead wires to main wiring bridge.
14. Re-assemble vac cover.
15. Test for proper operation.

Servicing The Vac Motor

Carbon Brush Replacement

(Replacement Carbon Brushes: Part# S8053200)

1. Disconnect power cord from power source.
2. To access the vac motor, remove the screws that attach the main cover to the head assembly and set the cover to one side.
3. Remove the screws that attach the inner cover to the head assembly and set aside.
4. Remove the carbon brush assembly by removing the 2 screws that attach it to the vac motor. See Figure 1
5. Slide off the carbon brush connector from the motor terminal. See Figure 2
6. Inspect armature commuator. If it is extremely pitted, grooved or not concentric then the motor will need to be replaced or sent to a qualified service center.
7. Reverse steps 6 through 4 to install new carbon brush and housing.
8. Repeat steps 4 through 7 for the other carbon brush.
9. Reverse steps 3 and 2 for re-assembly.
10. Test for proper operation.

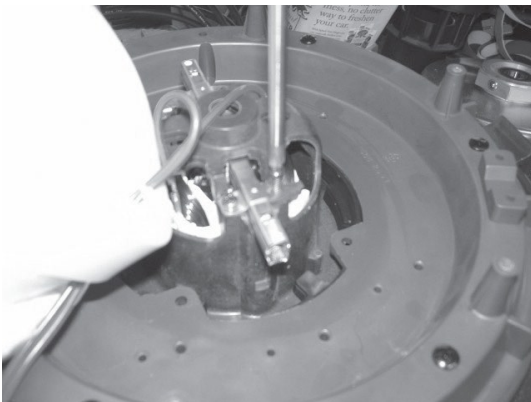


Figure 1

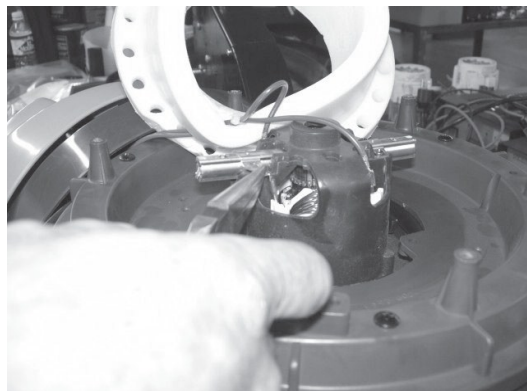
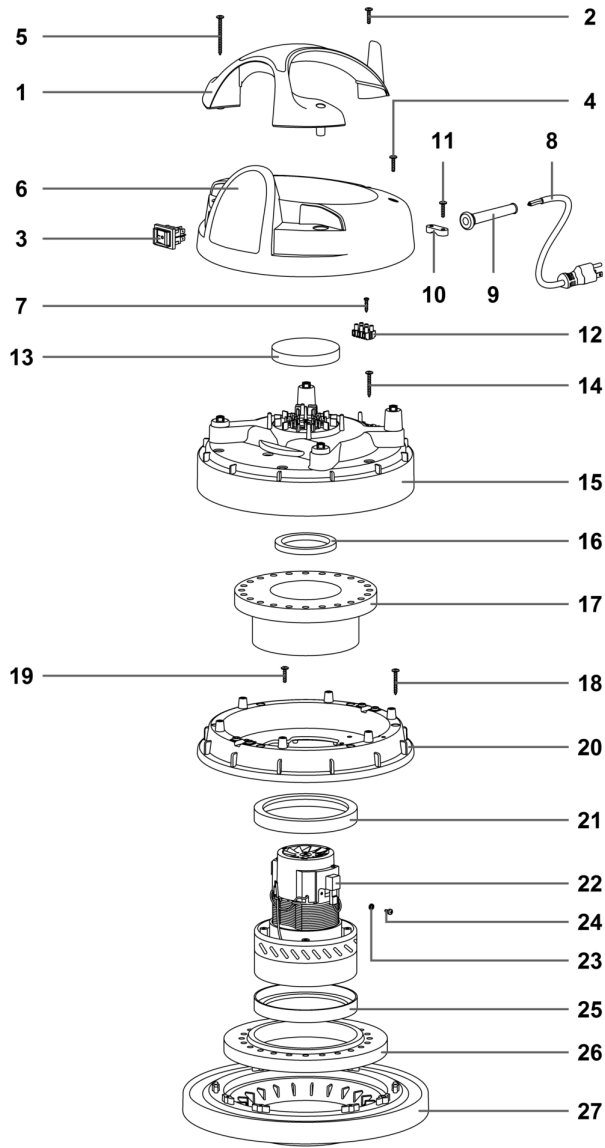
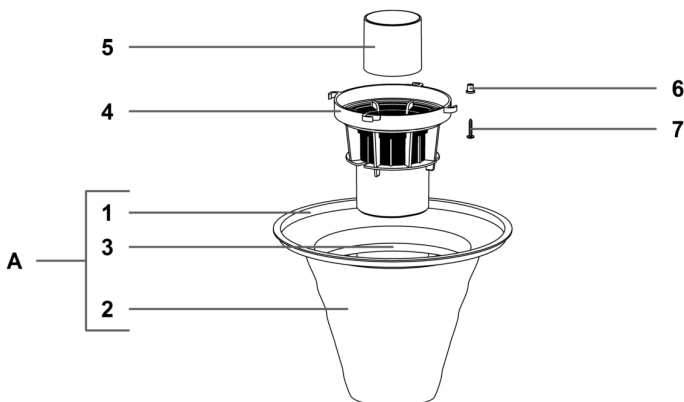


Figure 2

GC 150 Vacuum Motor Assembly



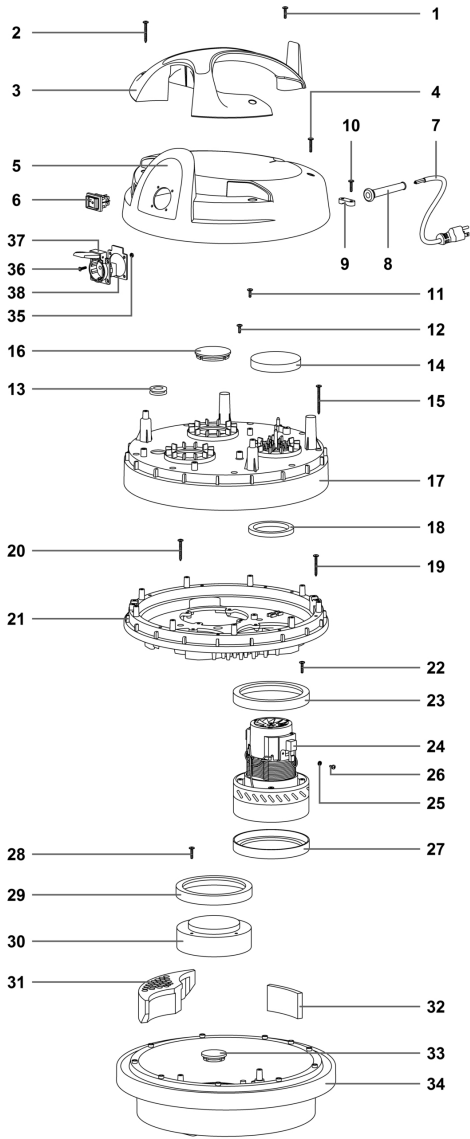
No.	Part #	Description	Qty.
*	FSVR00127	CLAMP	1,00
*	MECB01830	MOTOR WIRING 40CM POKE-IN UL	1,00
*	MECB01686	CONN.WIRE M.AWG-400-G/V-SP9-4,2	1,00
0001	MPVR11833	HANDLE TOPPER 500 VERDE IPC AU	1,00
0002	KTRI03437	SCREW PFU TMT PHL 5X20 BLACK	1,00
0003	MECI72195	ANTISPLASH SWITCH	1,00
0004	KTRI03437	SCREW PFU TMT PHL 5X20 BLACK	2,00
0005	VTVT40007	SCREW PAT TMT PHL 5X55 BLACK	2,00
0006	MPVR11834	COVER TOPPER 500 NE AU	1,00
0007	VTVT88715	SCREW PAT TCB 4,5X20 ZN BLACK	1,00
0008	MECV35825	ELECTRIC CORD 3X16 AWG	1,00
0009	KTRI03358	FAIR-LEAD LONG	1,00
0010	MPVR28690	CABLE CLAMP	1,00
0011	KTRI03437	SCREW PFU TMT PHL 5X20 BLACK	1,00
0012	MECB01155	TERMINAL BOARD 300-500 3P AWG S/R	1,00
0013	FTDP38064	FILTER MTP/65 H=15 D.95	1,00
0014	VTVT71971	SCREW PAT TMT PHL 5X35 BLACK	6,00
0015	MPVR09109	GREEN COVER 99 W/O/HOLES AU.-IPC	1,00
0016	KTRI04227	WASHER H8 D85X65	1,00
0017	KTRI04215	FILTER PHONO H=75	1,00
0018	VTVT71971	SCREW PAT TMT PHL 5X35 BLACK	6,00
0019	KTRI03437	SCREW PFU TMT PHL 5X20 BLACK	4,00
0020	MPVR08400	MOT.FASTENER 500 SELF-EXT BLACK	1,00
0021	KTRI04216	"L" GASKET W/O HOLES H=5,5	1,00
0022	MOMO00909	MOTOR BD381 AU 1000W 120/60	1,00
0023	VTRS00393	TOOTHED WASHER M4 UNI 8842	1,00
0024	VTVT01037	SCREW TC CROSS M 4X8 UNI 7687	1,00
0025	KTRI04216	"L" GASKET W/O HOLES H=5,5	1,00
0026	KTRI04216	WASHER MTP 65MM 18D 230X145	1,00
0027	PMA00116		1,00



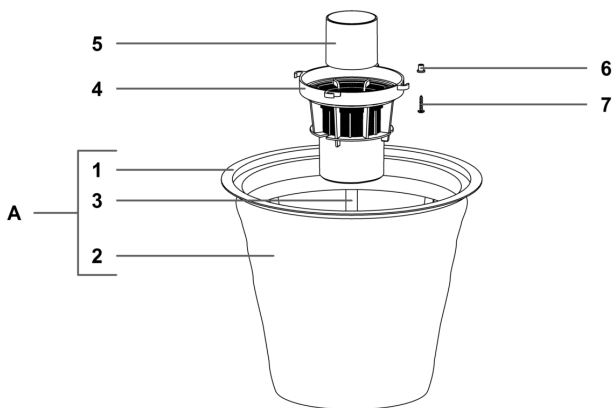
Filter Assembly

No.	Part #	Description	Qty.
A	KTRI02943	KIT RING+FILT+BASK. 500 C	1,00
0001	MPVR36522	FILTER RING 500	1,00
0002	FTDP00534	FILTER POLY AN3-500 CON REG H230	1,00
0003	MPVR37038	CONICAL BASKET 300	1,00
0004	MPVR40521	NET ANTIFOAM BODY HIGH	1,00
0005	RCGR40008	HIGH FLOAT 99 W/GASKET 37 SHA	1,00
0006	MPVR35796	PLASTIC SLEEVE D.8	4,00
0007	VTVT36751	SCREW PAT TMT PHL 5X25	4,00

GC 190, GS 162, GS 178, GP 172 Vacuum Motor Assembly



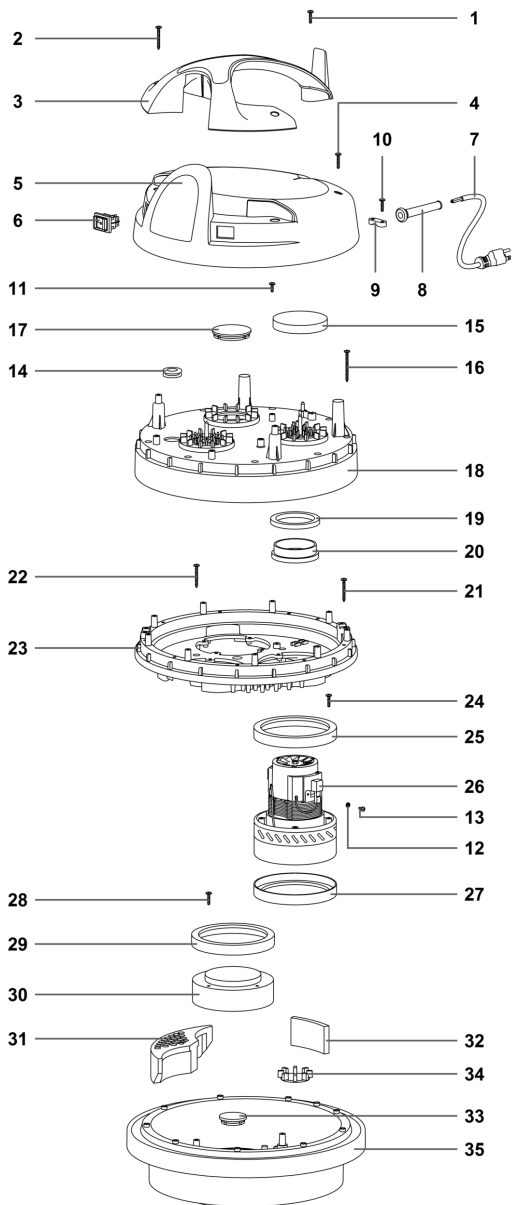
No.	Part #	Description	Qty.
*	PMQE00258	KIT ELETRIC 600 1MOT.AUTOEST.	1,00
*	MECB01827	WIRING 50CM MOTOR POKE-IN UL	1,00
*	FSVR00127	CLAMP	1,00
*	MECB01694	CONNECTING WIRE AWG-400-G/V-FF-4,2	1,00
*	MECB01702		1,00
*	MECB01527	CONNECTING WIRES AWG-350-ROS-FF-SP9	2,00
*	MECB01705	CONN.WIRE M.AWG-200-G/V-5,2-5,2	1,00
0001	KTRI03437	SCREW PFU TMT PHL 5X20 BLACK	1,00
0002	KTRI03765	SCREW PAT TMT PHL 5X40 BLACK	2,00
0003	MPVR11825	HANDLE TOPPER 600 VERDE IPC AU	1,00
0004	VTVT72055	SCREW PFU TMT PHL 5X25 ZN BLACK	2,00
0005	MPVR12004	COVER TOPPER 600 NERO AU P/S	1,00
0006	MECI72195	ANTISPLASH SWITCH	1,00
0007	MECB01211	CABLE E.3X14AWG SJTW MT8,5 N5	1,00
0008	KTRI03358	FAIR-LEAD LONG	1,00
0009	MPVR28690	CABLE CLAMP	1,00
0010	KTRI03437	SCREW PFU TMT PHL 5X20 BLACK	1,00
0011	KTRI03436	SCREW PAT TMT PHL 5X14 ZN BLACK	2,00
0012	KTRI03436	SCREW PAT TMT PHL 5X14 ZN BLACK	1,00
0013	MEVR72017	GUIDING SLIT FOR QUICK COUPLING	1,00
0014	FTDP38064	FILTER MTP/65 H=15 D.95	1,00
0015	VTVT40007	SCREW PAT TMT PHL 5X55 BLACK	9,00
0016	MPVR09575	CAP COVER SELF-EXTINGUISHING	2,00
0017	MPVR08501		1,00
0018	KTRI04227	WASHER H8 D85X65	1,00
0019	KTRI03765	SCREW PAT TMT PHL 5X40 BLACK	9,00
0020	KTRI03765	SCREW PAT TMT PHL 5X40 BLACK	3,00
0021	MPVR09319	MOTOR-FASTENER NEV.600 BLACK S-EXT.	1,00
0022	KTRI03437	SCREW PFU TMT PHL 5X20 BLACK	4,00
0023	KTRI04216	"L" GASKET W/O HOLES H=5,5	1,00
0024	MOMO00909	MOTOR BD381 AU 1000W 120/60	1,00
0025	VTRS00393	TOOTHED WASHER M4 UNI 8842	1,00
0026	VTVT01037	SCREW TC CROSS M 4X8 UNI 7687	1,00
0027	KTRI04216	"L" GASKET W/O HOLES H=5,5	1,00
0028	KTRI03437	SCREW PFU TMT PHL 5X20 BLACK	8,00
0029	KTRI04216	"L" GASKET W/O HOLES H=5,5	2,00
0030	MPVR08575	FAKE MOTOR LOWERED AU	2,00
0031	KTRI04140	ANTINOISE TRIANGLE H=51	3,00
0032	KTRI04141	GASKET MTP/30 AU-AD 50X10X85	3,00
0033	MPVR38058	BASE CAP	2,00
0034	PMBA00209		1,00
0035	VTDD00232	NUT M 4 UNI 5588	4,00
0036	VTVT01192	SCREW TSP CROSS M 4X12 UNI 7688	4,00
0037	MEVR01792	DOOR UL W/DOOR	1,00
0038	GUVR38060	SCHUKO GASKET SOCKET	1,00



Filter Assembly

No.	Part #	Description	Qty.
A	KTRI02332	KIT RING+FILT+BASK.400 CONIC.SAN	1,00
0001	MPVR35807	FILTER RING 400	1,00
0002	FTDP00523	FILTER POLY AN4-600 CON REG H320	1,00
0003	MPVR09199	CONICAL BASKET 400	1,00
0004	MPVR40521	NET ANTIFOAM BODY HIGH	1,00
0005	RCGR40008	HIGH FLOAT 99 W/GASKET 37 SHA	1,00
0006	MPVR35796	PLASTIC SLEEVE D.8	4,00
0007	VTVT36751	SCREW PAT TMT PHL 5X25	4,00

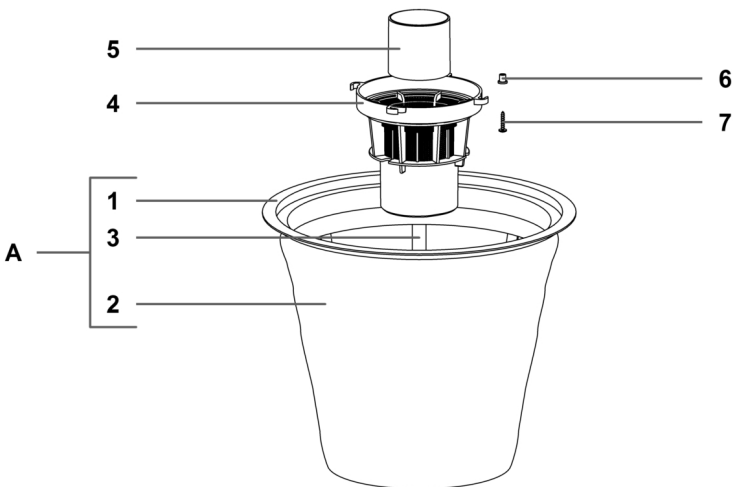
GC 290, GS 278 Vacuum Motor Assembly



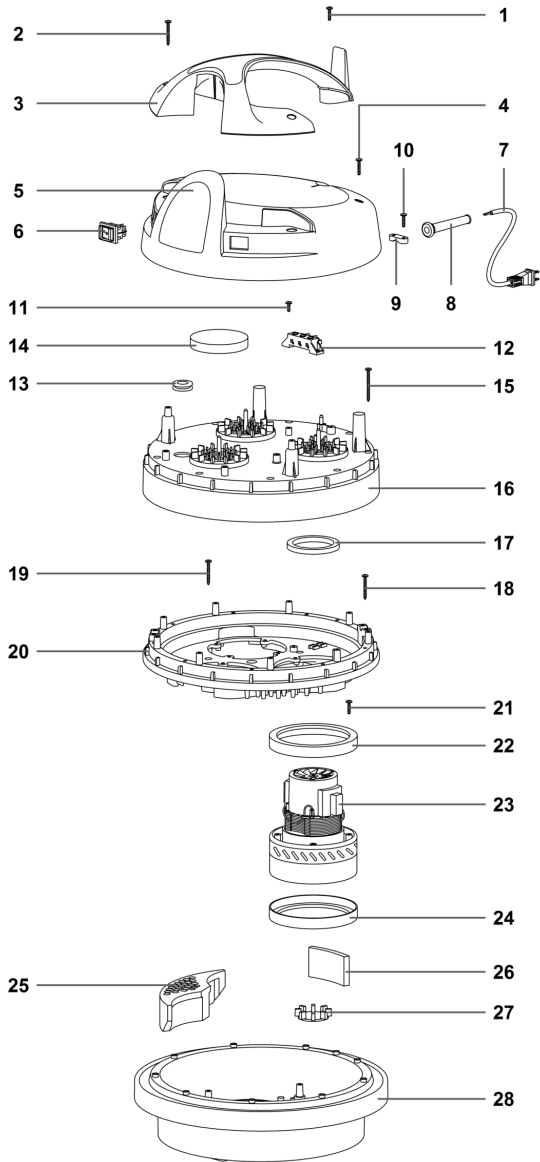
No.	Part #	Description	Qty.
*	PMQE00259	ELECTRIC KIT 600 2MOT. AUTOEST.	1,00
*	MECB01827	WIRING 50CM MOTOR POKE-IN UL	2,00
*	FSVR00127	CLAMP	3,00
0001	KTRI03437	SCREW PFU TMT PHL 5X20 BLACK	1,00
0002	KTRI03765	SCREW PAT TMT PHL 5X40 BLACK	2,00
0003	MPVR11825	HANDLE TOPPER 600 VERDE IPC AU	1,00
0004	VTVT72055	SCREW PFU TMT PHL 5X25 ZN BLACK	2,00
0005	PMVR06457	COVER TOPPER 600 NE AU 2INT	1,00
0006	MECI28744	ANTISPLASH RED LIGHT SWITCHER	2,00
0007	MECB01211	CABLE E.3X14AWG SJTW MT8,5 N5	1,00
0008	KTRI03358	FAIR-LEAD LONG	1,00
0009	MPVR28690	CABLE CLAMP	1,00
0010	KTRI03437	SCREW PFU TMT PHL 5X20 BLACK	1,00
0011	KTRI03436	SCREW PAT TMT PHL 5X14 ZN BLACK	2,00
0012	VTRS00393	TOOTHED WASHER M4 UNI 8842	2,00
0013	VTVT01037	SCREW TC CROSS M 4X8 UNI 7687	2,00
0014	MEVR72017	GUIDING SLIT FOR QUICK COUPLING	1,00
0015	FTDP38064	FILTER MTP/65 H=15 D.95	2,00
0016	VTVT40007	SCREW PAT TMT PHL 5X55 BLACK	9,00
0017	MPVR09575	CAP COVER SELF-EXTINGUISHING	1,00
0018	MPVR08501	WASHER H8 D85X65	1,00
0019	KTRI04227	WASHER H8 D85X65	2,00
0020	KTRI03367	RING MOTORE H=7 (15) PLAST.AUT	2,00
0021	KTRI03765	SCREW PAT TMT PHL 5X40 BLACK	9,00
0022	KTRI03765	SCREW PAT TMT PHL 5X40 BLACK	3,00
0023	MPVR09319	MOTOR-FASTENER NEV.600 BLACK S-EXT.	1,00
0024	KTRI03437	SCREW PFU TMT PHL 5X20 BLACK	8,00
0025	KTRI04216	"L" GASKET W/O HOLES H=5,5	2,00
0026	MOMO00908	MOTOR BD301 AU 800W 120/60	2,00
0027	KTRI04216	"L" GASKET W/O HOLES H=5,5	2,00
0028	KTRI03437	SCREW PFU TMT PHL 5X20 BLACK	4,00
0029	KTRI04216	"L" GASKET W/O HOLES H=5,5	1,00
0030	MPVR08575	FAKE MOTOR LOWERED AU	1,00
0031	KTRI04140	ANTINOISE TRIANGLE H=51	3,00
0032	KTRI04141	GASKET MTP/30 AU-AD 50X10X85	3,00
0033	MPVR38058	BASE CAP	1,00
0034	KTRI03379	AUTOMATIC VALVE	2,00
0035	PMBA00202		1,00

Filter Assembly

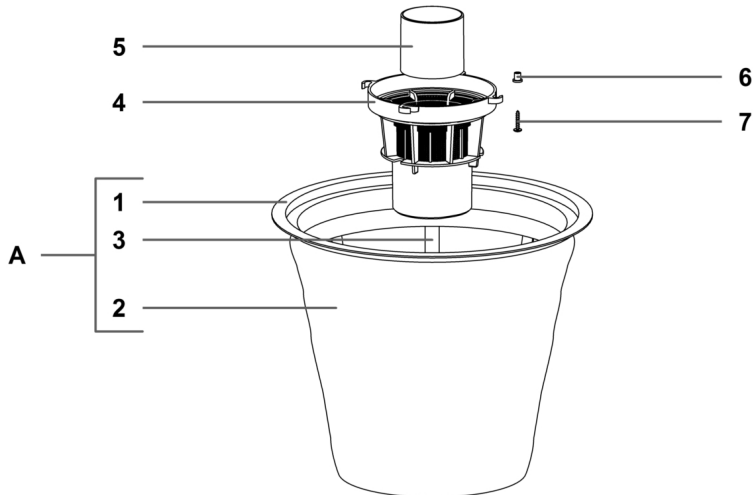
No.	Part #	Qty.
A	KIT RING+FILT+BASK.400 CONIC.SAN	1,00
0001	FILTER RING 400	1,00
0002	FILTER POLY AN4-600 CON REG H320	1,00
0003	CONICAL BASKET 400	1,00
0004	NET ANTIFOAM BODY HIGH	1,00
0005	HIGH FLOAT 99 W/GASKET 37 SHA	1,00
0006	PLASTIC SLEEVE D.8	4,00
0007	SCREW PAT TMT PHL 5X25	4,00



GC 390 Vacuum Motor Assembly



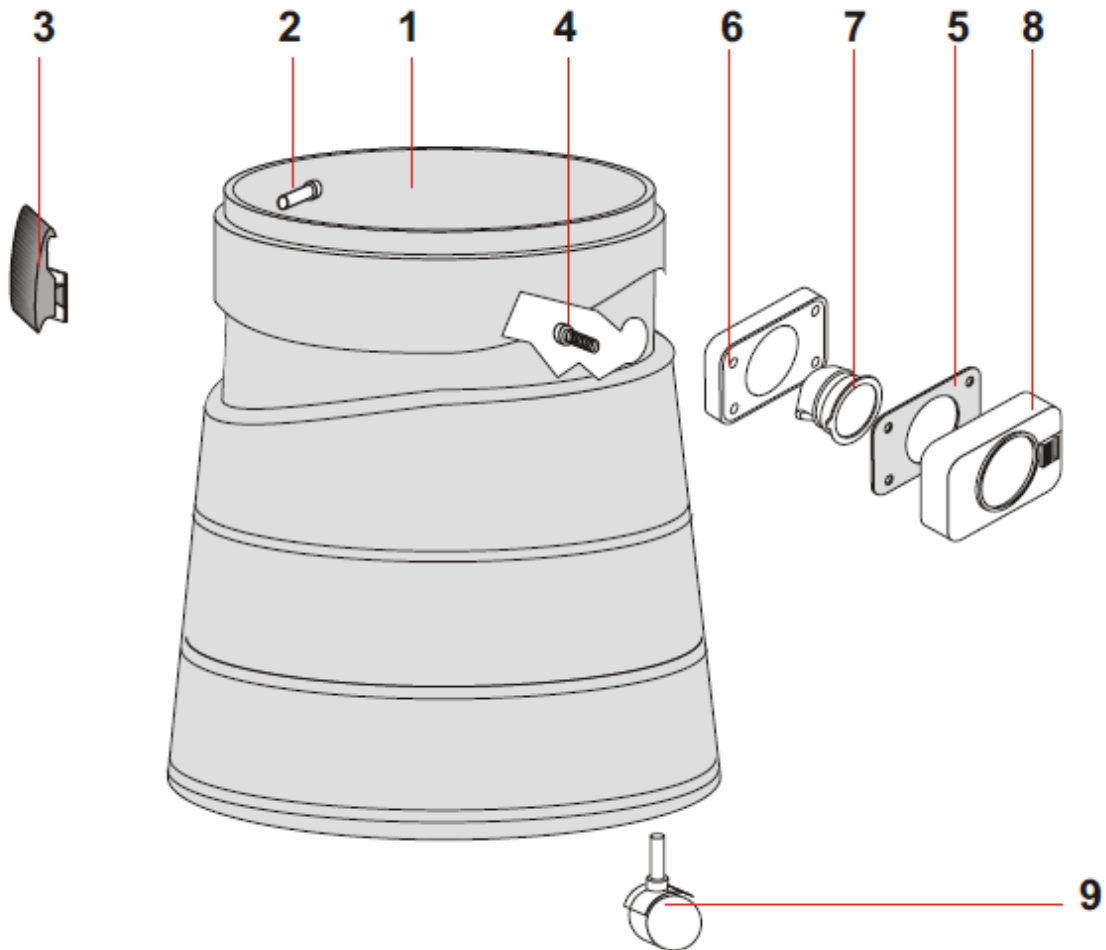
No.	Part #	Description	Qty.
*	MECB01620	CONNEC.WIRES AWG-350-GRI-FF-FF	1,00
*	MECB01617	CONNECTING WIRES AWG-350-ROS-FF-FF	1,00
*	MECB01827	WIRING 50CM MOTOR POKE-IN UL	3,00
*	FSVR00127	CLAMP	3,00
0001	KTRI03437	SCREW PFU TMT PHL 5X20 BLACK	1,00
0002	KTRI03765	SCREW PAT TMT PHL 5X40 BLACK	2,00
0003	MPVR11825	HANDLE TOPPER 600 VERDE IPC AU	1,00
0004	VTVT72055	SCREW PFU TMT PHL 5X25 ZN BLACK	2,00
0005	PMVR06458	COVER TOPPER 600 NE AU 3INT	1,00
0006	MECI28744	ANTISPLASH RED LIGHT SWITCHER	3,00
0007	MECB01972	CABLE 2X14AWG SJTW MT8,5 N1-15P	1,00
0008	KTRI03358	FAIR-LEAD LONG	1,00
0009	MPVR28690	CABLE CLAMP	1,00
0010	KTRI03437	SCREW PFU TMT PHL 5X20 BLACK	1,00
0011	KTRI03436	SCREW PAT TMT PHL 5X14 ZN BLACK	2,00
0012	MECB01402	CLAMPS 400-600 2P 2MOT AWG RAD	1,00
0013	MEVR72017	GUIDING SLIT FOR QUICK COUPLING	1,00
0014	FTDP38064	FILTER MTP/65 H=15 D.95	2,00
0015	VTVT40007	SCREW PAT TMT PHL 5X55 BLACK	9,00
0016	MPVR08501		1,00
0017	KTRI04227	WASHER H8 D85X65	3,00
0018	KTRI03765	SCREW PAT TMT PHL 5X40 BLACK	9,00
0019	KTRI03765	SCREW PAT TMT PHL 5X40 BLACK	3,00
0020	MPVR09319	MOTOR-FASTENER NEV.600 BLACK S-EXT.	1,00
0021	KTRI03437	SCREW PFU TMT PHL 5X20 BLACK	12,00
0022	KTRI04216	"L" GASKET W/O HOLES H=5,5	3,00
0023	MOMO00914	MOTOR BD302 500W 120 50/60	3,00
0024	KTRI04216	"L" GASKET W/O HOLES H=5,5	3,00
0025	KTRI04140	ANTINOISE TRIANGLE H=51	3,00
0026	KTRI04141	GASKET MTP/30 AU-AD 50X10X85	3,00
0027	KTRI03379	AUTOMATIC VALVE	3,00
0028	PMBA00209		1,00



Filter Assembly

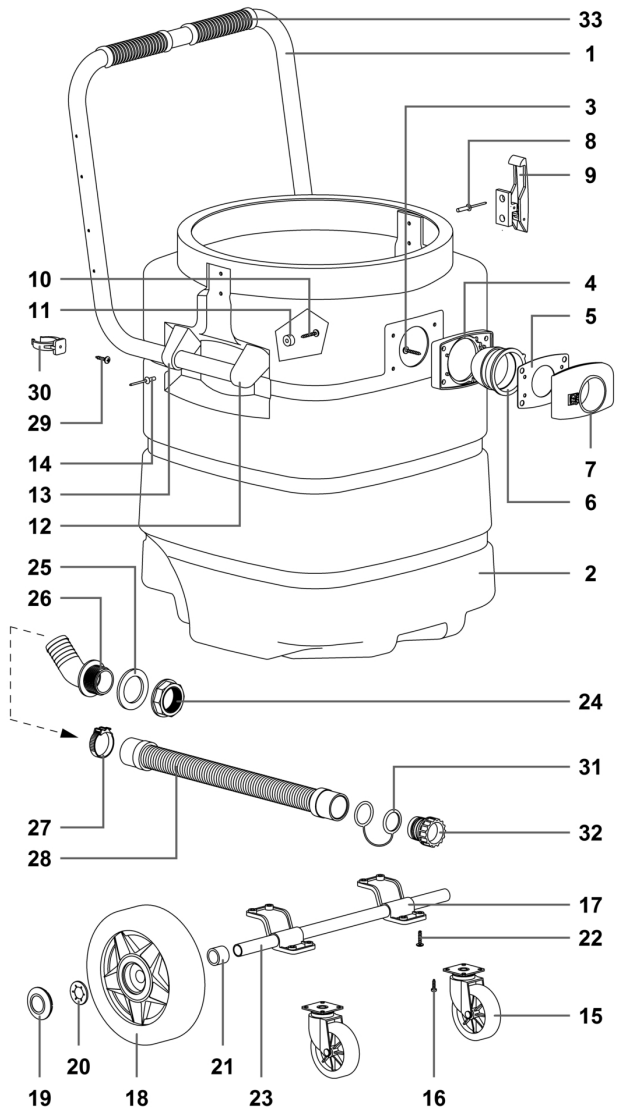
No.	Part #	Description	Qty.
A	KTRI02332	KIT RING+FILT+BASK.400 CONIC.SAN	1,00
0001	MPVR35807	FILTER RING 400	1,00
0002	FTDP00523	FILTER POLY AN4-600 CON REG H320	1,00
0003	MPVR09199	CONICAL BASKET 400	1,00
0004	MPVR40521	NET ANTIFOAM BODY HIGH	1,00
0005	RCGR40008	HIGH FLOAT 99 W/GASKET 37 SHA	1,00
0006	MPVR35796	PLASTIC SLEEVE D.8	4,00
0007	VTVT36751	SCREW PAT TMT PHL 5X25	4,00

Tank Assembly GC 150



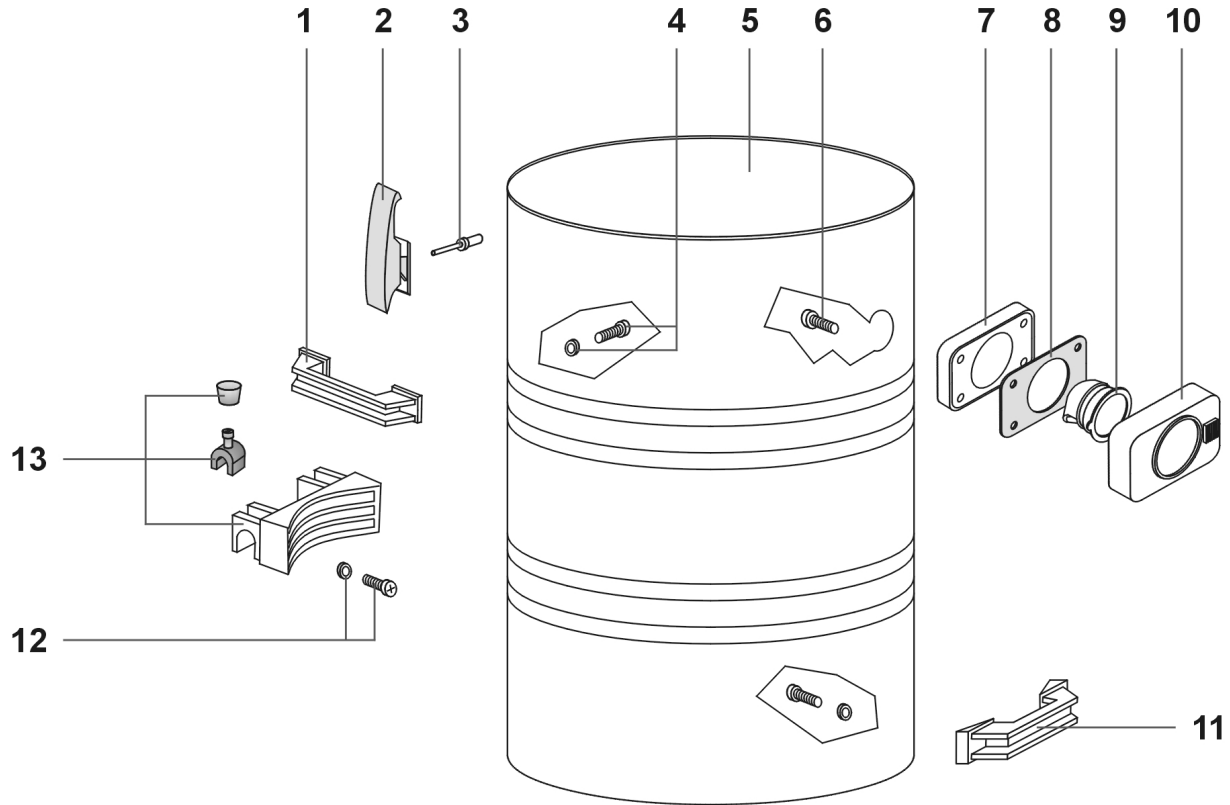
No.	Part#	Description	Qty.
0001	PMVR05010	PLASTIC TANK SPOT/CLIP W/D BLACK	1,00
0002	VTVR00340	RIVET 5X24,5	4,00
0003	CHVR28735	COMPLETE PLASTIC HOOK BLACK	2,00
0004	VTVT71971	SCREW PAT TMT PHL 5X35 BLACK	4,00
0005	GUGO28701	GASKET D.38	1,00
0006	GUGO28736	GASKET R 205 BLACK	1,00
0007	MPVR09047	PIPE UNION R155 BLACK C/PUL.GR-IPC	1,00
0008	MPVR28696	DEFLECTOR 99	1,00
0009	RTRT42006	TROLLEY BOX WHEEL	6,00

Tank and Cart Assembly GC 190, GC 290, GC 390



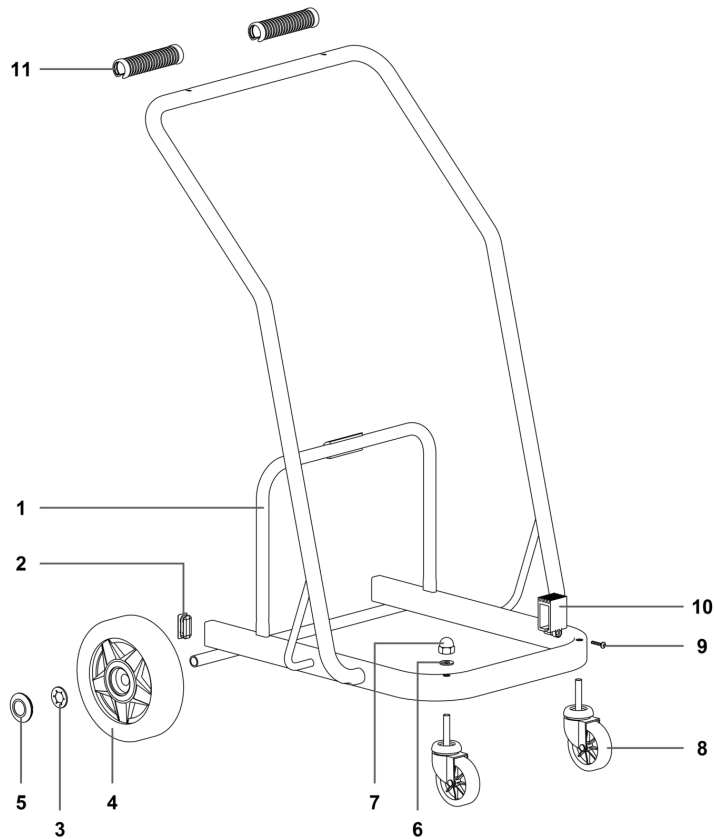
No.	Part #	Description	Qty.
0001	LAFN09921	HANDLE MARKET COMPACT BLACK	1,00
0002	PMVR03302	TANK 400/SM BLACK	1,00
0003	VTVT71966	SCREW PAT TMT PHL 5X30 BLACK	4,00
0004	KTRI03732	GASKET 99 BLACK	1,00
0005	GUGO28701	GASKET D.38	1,00
0006	MPVR28696	DEFLECTOR 99	1,00
0007	MPVR09047	PIPE UNION R155 BLACK C/PUL.GR-IPC	1,00
0008	VTVR00340	RIVET 5X24,5	4,00
0009	CHVR28735	COMPLETE PLASTIC HOOK BLACK	2,00
0010	VTVT71966	SCREW PAT TMT PHL 5X30 BLACK	8,00
0011	VTRS72158	PLAST.WASHER	8,00
0012	MPVR07780	HANDLE SUPPORT	2,00
0013	MPVR08086	HANDLE SUPPORT PASSING	2,00
0014	VTVR00396	RIVET 4,8X17 BLACK	2,00
0015	KTRI03722	FLANGED WHEEL D.80	2,00
0016	VTVT72114	SCREW TC POZ 4X15 AC ZN BLACK	8,00
0017	KTRI03720	SUPPORT WHEEL PIN	2,00
0018	RTRT85069	REAR WHEEL D.200	2,00
0019	MPVR85070	WHEEL CAP D.200/250 BLACK	2,00
0020	KTRI03721	BLOC. D.18	2,00
0021	KTRI03762	WHEEL SPACER MARK.PLAST.	2,00
0022	KTRI03437	SCREW PFU TMT PHL 5X20 BLACK	8,00
0023	LAFN85932	PIVOT WHEEL MARK.PLAST.TANK	1,00
0024	KTRI03423	RING 1-1/4"	1,00
0025	GUGO41219	GASKET 60X40X4	1,00
0026	KTRI03974	FITTING CONNECTOR 45° 1-1/4"	1,00
0027	FSVR00074	CLIP 300X9	1,00
0028	TBFX41220	DRAIN TUBE D.34 L=600	1,00
0029	VTVT87311	SCREW PAT TMT PHL 5X20 INOX	1,00
0030	KTRI03979	LIRA CLAMP D.34	1,00
0031	MPVR41222	TIE ROD CAP	1,00
0032	MPVR10436	PLASTIC TOP D.40 X 35 W/OR COMPL.	1,00
0033	MPVR02288	PLAST.TROLLEY HANDLE	2,00

Tank Assembly GS 178



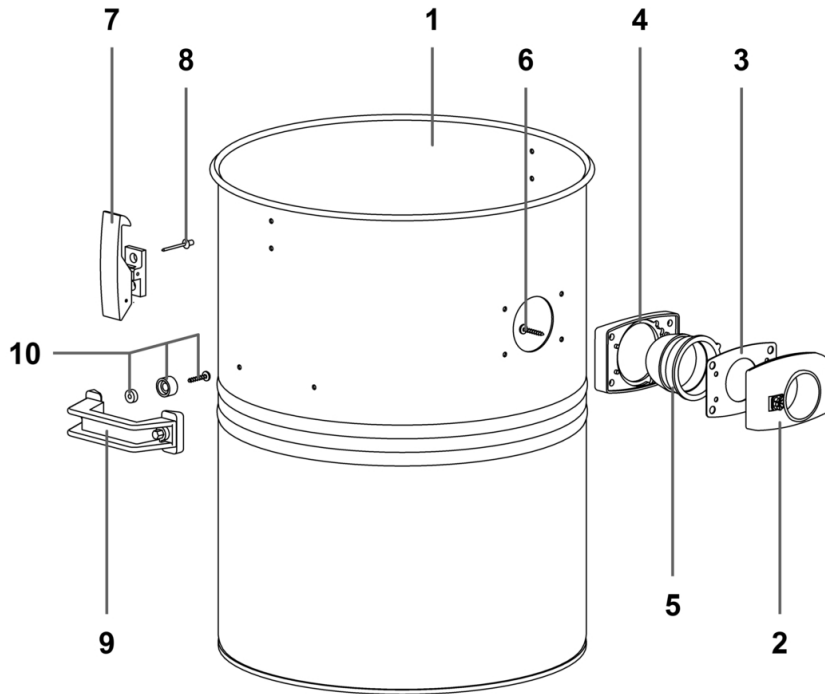
No.	Part#	Description	Qty.
0001	MPVR28737	BLACK HANDLE	2,00
0002	CHVR28735	COMPLETE PLASTIC HOOK BLACK	2,00
0003	VTVR71991	RIVET 5X11	4,00
0004	RIGE00015	COMPLETE SEAL W/SCREW L=25	6,00
0005	LAFN08274	TANK 400 TIPP.H=685 AISI 430	1,00
0006	VTVT71966	SCREW PAT TMT PHL 5X30 BLACK	4,00
0007	GUGO28736	GASKET R 205 BLACK	1,00
0008	GUGO28701	GASKET D.38	1,00
0009	MPVR28696	DEFLECTOR 99	1,00
0010	MPVR09047	PIPE UNION R155 BLACK C/PUL.GR-IPC	1,00
0011	MPVR28737	BLACK HANDLE	1,00
0012	RIGE00015	COMPLETE SEAL W/SCREW L=25	4,00
0013	KTRI04012	HINGE GROUP BASC COMP	1,00

Cart Assembly GS 178



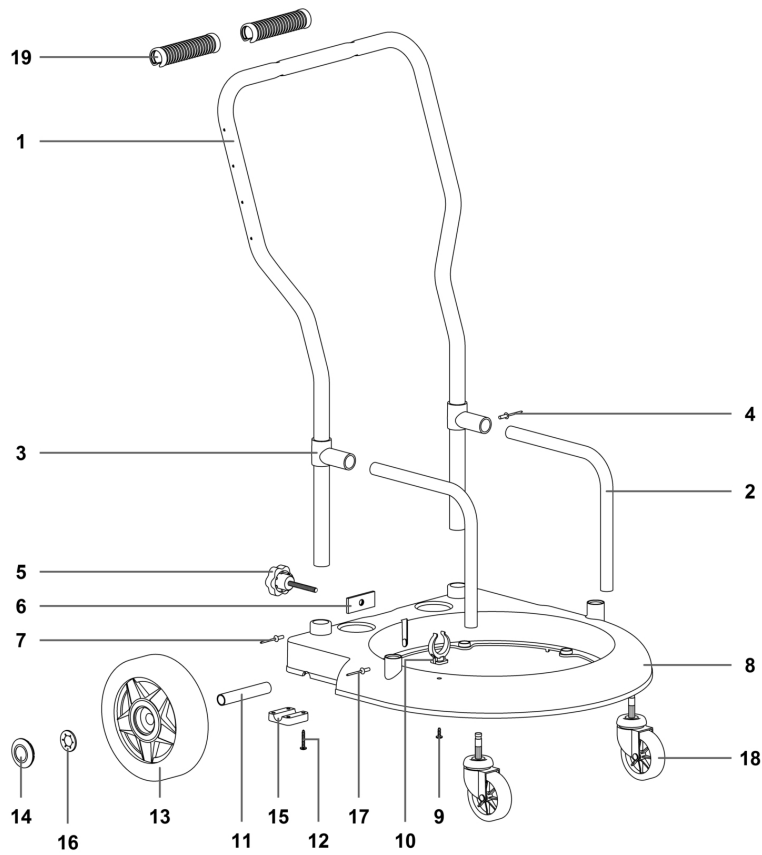
No.	Part#	Description	Qty.
0001	LAFN09997	METALLIC STRUCT 400 TIPPING	1,00
0002	MPVR06136	PLASTIC TOP 40X20	2,00
0003	KTRI03721	BLOC. D.18	2,00
0004	RTRT85069	REAR WHEEL D.200	2,00
0005	MPVR85070	WHEEL CAP D.200/250 BLACK	2,00
0006	VTRS71964	WASHER M 10	2,00
0007	VTDD72234	NUT M 10	2,00
0008	KTRI03382	FRONT WHEEL	2,00
0009	VTVT72055	SCREW PFU TMT PHL 5X25 ZN BLACK	4,00
0010	MPVR06691	FOOT TIPPING BEARING	4,00
0011	MPVR02288	PLAST.TROLLEY HANDLE	2,00

Tank Assembly GS 162



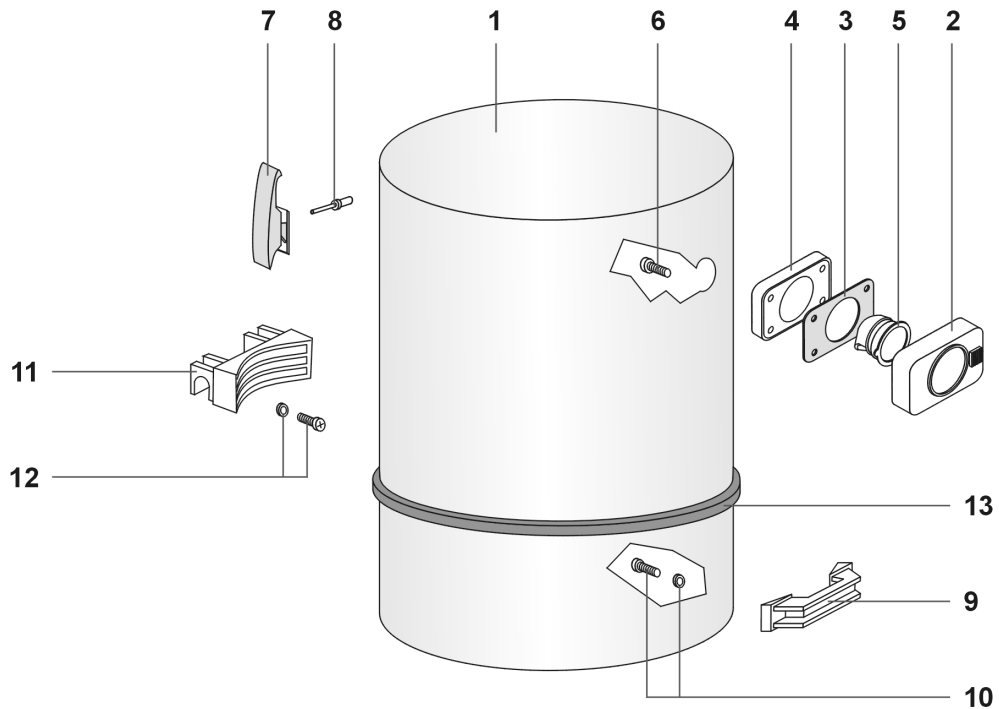
No.	Part#	Description	Qty.
0001	LAFN09703	TANK 400 AISI 430 + DRAIN	1,00
0002	MPVR09047	PIPE UNION R155 BLACK C/PUL.GR-IPC	1,00
0003	GUGO28701	GASKET D.38	1,00
0004	GUGO28736	GASKET R 205 BLACK	1,00
0005	MPVR28696	DEFLECTOR 99	1,00
0006	VTVT71966	SCREW PAT TMT PHL 5X30 BLACK	4,00
0007	CHVR28735	COMPLETE PLASTIC HOOK BLACK	2,00
0008	VTVR71991	RIVET 5X11	4,00
0009	MPVR28737	BLACK HANDLE	2,00
0010	RIGE00015	COMPLETE SEAL W/SCREW L=25	4,00

Cart Assembly GS 162



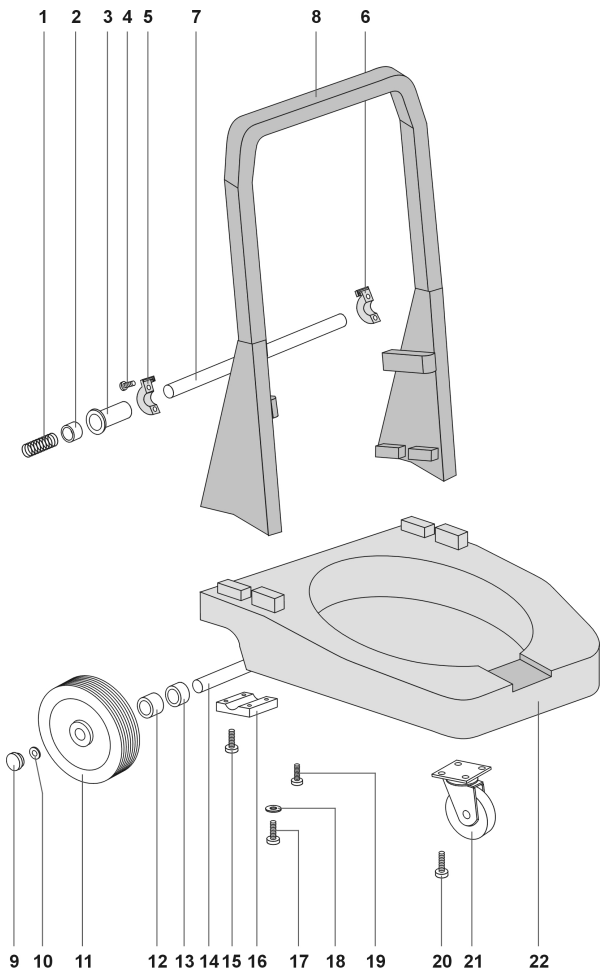
No.	Part#	Description	Qty.
0001	LAFN09734	HANDLE MARKET 400 BLACK	1,00
0002	MPVR02240	VARNISHED SUPPORT TUBE	2,00
0003	LAFN03247	"T" TUBE	2,00
0004	VTVR00396	RIVET 4,8X17 BLACK	2,00
0005	VTVR00162	HAND-WHEEL M 8X60	1,00
0006	LAFN06613	PLATE LOCKING THREADED	1,00
0007	VTVR00396	RIVET 4,8X17 BLACK	2,00
0008	MPVR08479	TROLLEY BODY 400 MARKET B	1,00
0009	KTRI03436	SCREW PAT TMT PHL 5X14 ZN BLACK	1,00
0010	KTRI03979	LIRA CLAMP D.34	1,00
0011	LAFN09549	WHEEL PIN D.18X105 SP.1.5 ZN	2,00
0012	VTVT71966	SCREW PAT TMT PHL 5X30 BLACK	8,00
0013	RTRT85069	REAR WHEEL D.200	2,00
0014	MPVR85070	WHEEL CAP D.200/250 BLACK	2,00
0015	MPVR28774	LOCK PIVOT BRACKET	2,00
0016	KTRI03721	BLOC. D.18	2,00
0017	VTVR00396	RIVET 4,8X17 BLACK	2,00
0018	RTRT40020	FRONT WHEEL D.80 W/PIVOT	2,00
0019	MPVR02288	PLAST.TROLLEY HANDLE	2,00

Tank Assembly GP 172



No.	Part#	Description	Qty.
0001	PMVR06257	TANK EUROPA 400 BASC. NERO	1,00
0002	MPVR09047	PIPE UNION R155 BLACK C/PUL.GR-IPC	1,00
0003	GUGO28701	GASKET D.38	1,00
0004	GUGO28736	GASKET R 205 BLACK	1,00
0005	MPVR28696	DEFLECTOR 99	1,00
0006	VTVT71966	SCREW PAT TMT PHL 5X30 BLACK	4,00
0007	CHVR28735	COMPLETE PLASTIC HOOK BLACK	2,00
0008	VTVR00340	RIVET 5X24,5	4,00
0009	MPVR28737	BLACK HANDLE	1,00
0010	PMVR02551	COMPL.SEAL JOI. W/SCREW L=3	2,00
0011	CEVR00053	HINGE PLASTIC TANK 400/S	1,00
0012	PMVR02551	COMPL.SEAL JOI. W/SCREW L=3	4,00
0013	MPVR09725	SHOCKPROOF BAND 400 GREEN IPC	1,00

Cart Assembly GP 172



No.	Part#	Description	Qty.
0001	MLML00371	SPRING PLASTIC DRUM 400 PLASTIC	2,00
0002	KTRI03762	WHEEL SPACER MARK.PLAST.	2,00
0003	MPVR06378	HINGE PIN 400 PLASTIC	2,00
0004	VTVT72207	SCREW PAT TMT PHL 5X25 BLACK	4,00
0005	MPVR09684	TUBE BLOCK RIGHT	1,00
0006	MPVR09685	TUBE BLOCK LEFT	1,00
0007	LAFN08318	UP-AND-OVER PIN DIA.18X465 SP.1,5 ZN.	1,00
0008	MPVR06710	PLAS.BIG HANDLE GREY 6000	1,00
0009	MPVR85070	WHEEL CAP D.200/250 BLACK	2,00
0010	KTRI03721	BLOC. D.18	2,00
0011	RTRT85069	REAR WHEEL D.200	2,00
0012	KTRI03762	WHEEL SPACER MARK.PLAST.	2,00
0013	MPVR28773	SPACER BUSH	2,00
0014	LAFN08319	WHEEL PIN D.18X505 SP.1,5 ZN.	1,00
0015	VTVT71966	SCREW PAT TMT PHL 5X30 BLACK	8,00
0016	MPVR28774	LOCK PIVOT BRACKET	2,00
0017	VTVT71971	SCREW PAT TMT PHL 5X35 BLACK	2,00
0018	VTRS72158	PLAST.WASHER	6,00
0019	KTRI03765	SCREW PAT TMT PHL 5X40 BLACK	
0020	KTRI03437	SCREW PFU TMT PHL 5X20 BLACK	8,00
0021	KTRI03722	FLANGED WHEEL D.80	2,00
0022	MPVR02277	TROLLEY BODY EUROPA BASC. GR6000	1,00

Tools



Item	Part#	Description	Qty
	S72672	Complete Tool Kit	1
1	S70003	Crevice Tool	1
2	S76295	Round Brush	1
3	S70008	Hose	1
4	S76387	Wand, Straight	2
5	S76389	Wand, Curved	1
6	S76384	16" Floor Brush	1
7	S76385	16" Floor Squeegee	1
7a	S82333	Replacement Squeegee Blades	2
1	S76388	Adapter	1

Not shown: Adaptor 2" Tank inlet to 1.5" raw hose—Used on 3 motor models due to 2" tank inlet

Filters

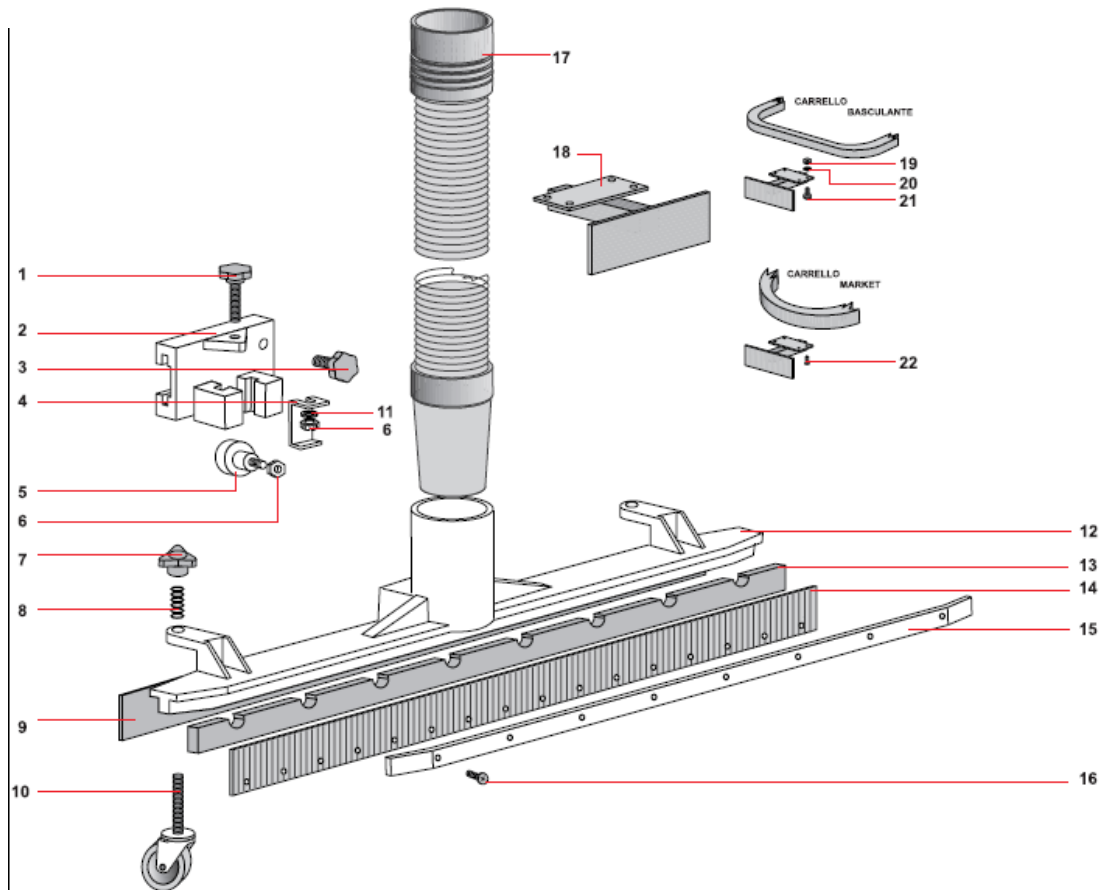
Part#	Description	Where Used
S82860	Filter Bag, Standard Polyester	315 models
S82845	Filter Bag, Standard Polyester	415/429/430 models
S83742*	Cartridge Filter, Paper	315 models
S73742*	Cartridge Filter, Polyester	315 models
S82881*	Cartridge Filter, HEPA Equivalent	315 models
S82852*	Cartridge Filter, Paper	415/429/430 models
S76061*	Cartridge Filter, Polyester	415/429/430 models
S82995*	Cartridge Filter, HEPA Equivalent	415/429/430 models
S82855	Cartridge Filter Retainer	all models
T80092	Paper Filter Bags 5/pkg.	315 models
T80093	Paper Filter Bags 3/pkg.	415/429/430 models

**also requires S82855 Retainer*

Recommended Spare Parts

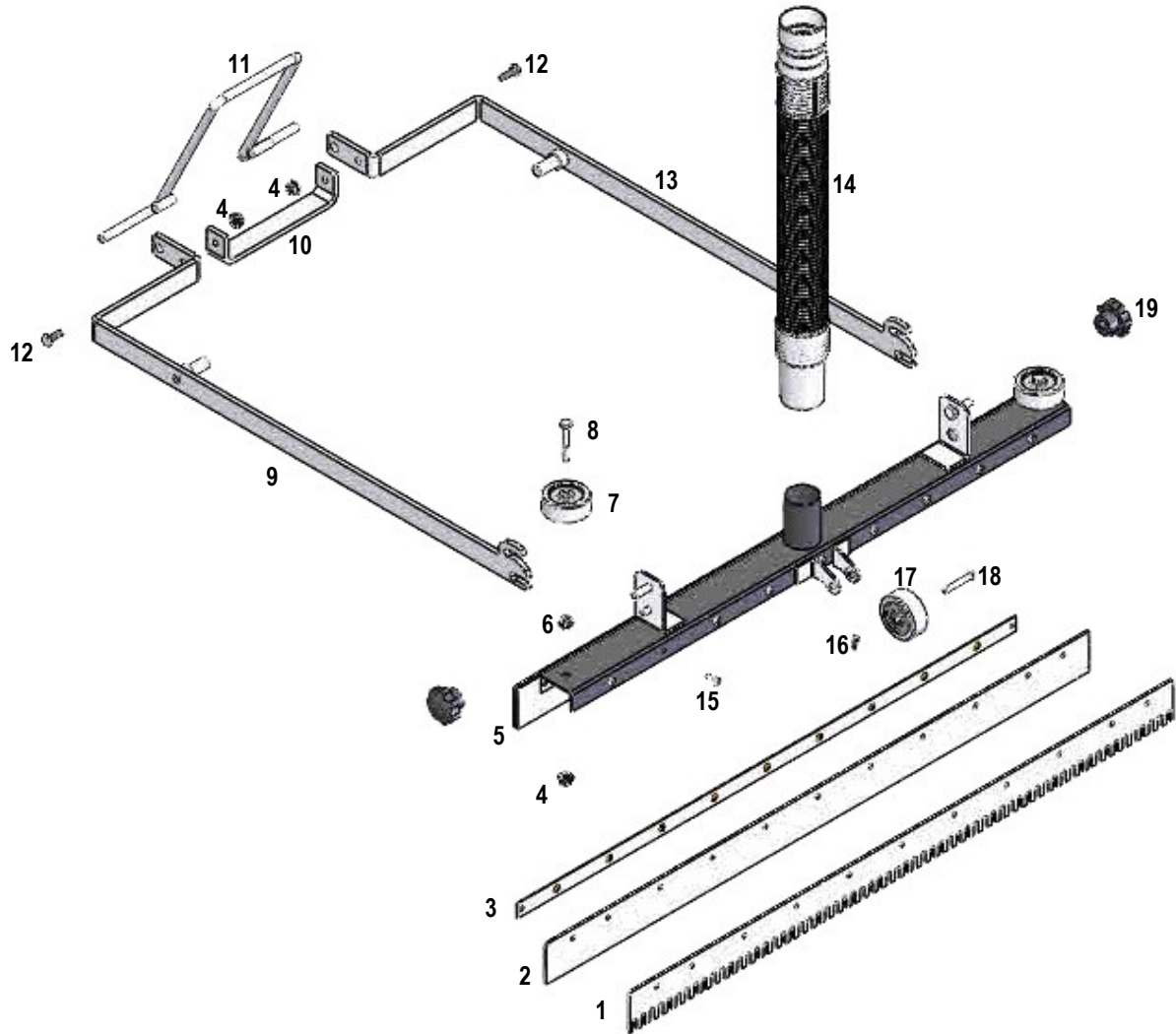
S8TOEG845	Motor Carbon Brush
S80326	Main Power Switch
S82860	Polyester Filter, 315
S82845	Polyester Filter, 415/429/430

S70042 22" Front-Mounted Squeegee fits all 415/429/430 models



No.	Part#	Description	Qty.
1	S82164	Handwheel 8x45	1
2	S82187	Small Block, Fixed	1
3	S82163	Handwheel 6x25	1
4	S83115	Plate, Adjustment	1
5	S82189	Driver Pivot	1
6	S81033	Nut M8	2
7	S81732	Adjustment Knob	2
8	S86137	Spring	2
9	S82245	Squeegee, Rear	1
10	S86138	Wheel	2
11	S81034	Washer M8	1
12	S82177	Body, Wet Fix Tool	1
13	S82198	Spacer	2
14	S82196	Squeegee, Front	1
15	S82197	Bracket, Squeegee	2
16	S81856	Screw M4x16	16
17	S80010	Hose	1
18	S82297	Mounting Bracket	1
19	S81035	Nut M5	4
20	S81036	Washer M5	4
21	S81755	Screw 5x16	4
22	S81006	Screw 5x20	4

T80184 30" Front-Mounted Squeegee fits 415/429/430 models with Polyethylene Tanks



No.	Part#	Description	Qty.
1	BD735602	Blade, Slotted	2
2	BD735601	Blade, Solid	2
3	BD7015509	Support, Blade	2
4	BD41000	Nut, Nylock 1/4-20	4
5	BD715508	Housing Assy.	1
6	BD41000	Nut, Nylock 1/4-20	2
7	BD735607	Wheel, Guide	2
8	BD735608	Bolt, 1/4-20 x 1.75"	2
9	BD725520	Lifting Arm RH	1
10	BD705202	Cross Member	1
11	BD705203	Latch Assy.	1
12	BD40505	Bolt, 1/4-20 x 1"	2
13	BD725521	Lifting Arm, RH	1
14	T80021	Hose Assy.	1
15	BD408000	Screw, 10, 32x625L	18
16	BD735620	Clevis Pin, Front Wheel	1
17	BD735617	Front Guide Wheel, 2" Dia	1
18	BD735619	Hitch Pin, Front Wheel	1
19	BD735618	Hand knob, Front Mount	2



IPC Eagle
3650 Dodd Rd | Eagan, MN 55123
(651) 686-5399 | FAX (651) 686-5695
www.ipceagle.com

Warranty Policy

Limited Warranty

IPC Eagle warrants new cleaning equipment against defects in material and workmanship under normal use and service to the original purchaser as detailed below.

10 years

Subject to the conditions stated below, IPC Eagle warrants polyethylene tanks and housings to be free from defects in materials and workmanship for a period of ten years.

3 years

Subject to the conditions stated below, IPC Eagle warrants all automatic scrubber components to be free from defects in materials and workmanship for a 3-year period. Parts replaced or repaired are warranted for the remainder of the original warranty period.

1 year

Subject to the conditions stated below, IPC Eagle warrants all other cleaning equipment components to be free from defects in materials and workmanship for a 1-year period. Parts replaced or repaired are warranted for the remainder of the original warranty period. Batteries are pro-rated for one year.

IPC Eagle will furnish and charge for replacement parts, including transportation, to the original owner through an IPC Eagle authorized service center. If the part is returned within 30 days and is found defective, the owner will be credited for the cost of the replacement part including shipping and handling.

Labor charges are covered for one year from the date of purchase if provided by an authorized IPC Eagle service center. Travel is covered for 90 days for battery operated equipment only.

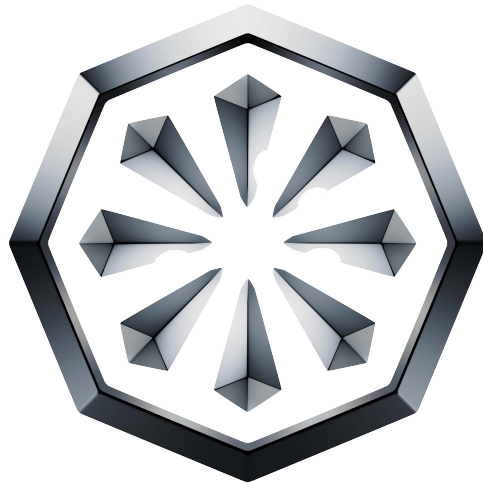
Wear items exempt from warranty include but not limited to belts, carbon brushes, power cords, wheels, pad drivers, clutch plates, brushes, pads, handle grips, filters, screens, throttle cables, hoses, auto-scrubber squeegee blades, nozzles, guns, wands, quick couplers, seals, gaskets, o-rings, pistons, packings, valves, fuses and pump protectors.

This warranty shall not apply to failures caused by misuse or abuse, improper maintenance as stated in the operation manuals, use of unauthorized repair parts, repairs by other than an IPC Eagle authorized service center, and damage in transit.

IPC Eagle disclaims and denies any liability for any direct, indirect, special incidental or consequential damage which may be suffered as a result of sale, delivery, servicing, use, loss of any product, downtime, labor, freight, or other charges not expressly included herein.

Hand-Held Manual Tools

All hand-held, manual tools are warranted for 90-days for manufacturer defects.



IPC

EAGLE

3650 Dodd Rd. • Eagan, MN 55123
651.686.5399 • Fax 651.686.5695 •
800.486.2775 www.ipceagle.com